

★ MADE in the USA ★

## Repair Kit # 5232-00

### Robertshaw / Pilot Solenoid Valve Repair Kit



**CAUTION: Read and understand this service bulletin thoroughly before starting. Only a trained, experienced service technician should attempt this service procedure.**

**For proper installation refer to the Service and Installation Instruction manual included.**


Part No.	Description	Qty	Part No.	Description	Qty
1346-26	Pilot Tubing (5' Roll)	1	8480-16	1/2" Ftg Lock-Nut	2
3185-50	Nat B Cock Assembly	1	8480-17	74B Wire Nut	1
5232-01	1/4" OD PV to Brass Tee Tubing	1	8483-00	1/8" Male X 1/4" Tube Compression El	1
5247-66	RE4700BA, RE6700B & RE6850B 24v Wrg	1	8483-18	1/8M x 1/8F x 1/4T BR Comp Tee	1
8402-37	1/8" NPT Solenoid Valve, Hi-Cap 24v	1	8484-93	250F Str/Insul 350819/350820	2
8416-47	Spring Brn RV12L (for LP applications)	1	8487-53	1/2" x 2 1/2" NPL	1
8457-31	Strain Relief SR6W-1	1	8496-00	1/8" Pipe Plug	1
8471-24	RE4850BA 4700BA 4400B/BA Manual	1	8506-35	RE 20" Jumper Wire Assembly	1
8471-45	RE6700B 6850 6850 B Manual	1	8506-36	RE 5" Jumper Wire Assembly	1
8480-14	1/2" Conduit Bushing	1			

#### Instructions for Kit # 5232-00

1. Turn off gas and electric.
2. Remove knock out plug located on the front side of the blower housing.
3. Remove wiring harness from Robertshaw Valve to control board and discard.
4. Install pilot solenoid valve and make sure that the pilot solenoid valve is installed with the directional arrow in the correct position. Connect pilot solenoid valve wires; one to terminal PV and one to terminal marked GND. (Refer to wiring diagram Figure 3)
5. Install new wiring harness provided, to terminal MV and MV/PV and connect to Robertshaw valve. Also install jumper wire onto Robertshaw Valve (side terminal to top terminal). (Figure 2 and Figure 3)
6. Affix the new Wiring Label (part #5247-66) over the existing label



**CAUTION: Verify wiring connections as mis-wiring can cause the main gas valve to malfunction.**

7. Remove contents of bag assembly.
8. Pipe together 1/8" tee, 1/8" 'B' cock, 1/8" Reg and 1/8" x 1/4" Tube brass connector as shown in Figure 1 on page 2 of this document.
9. Remove the 2 pieces of 1/4" tubing that is connected from the Robertshaw combination gas valve to the pilot regulator and pilot mixing tee. Discard the pilot tubing and the existing pilot regulator.
10.  **CAUTION: Install the Hex Head Plug that is included in the kit bag assembly where the aluminum tubing was connected on the Robertshaw combination gas valve. (Figure 2).**

**FAILURE TO DO THIS CAN CAUSE A GAS LEAK AT THE VALVE.**

**Continued on the back ...**

**AVOID ERROR IN PARTS SELECTION.** When ordering use complete MIDCO Part Number and Description. Furnish Burner Model Number, Bill of Material Number and Serial Number (if available) from the specification plate found on the product.

**IMPORTANT:** Availability of parts as well as specifications are subject to change without notice. Please consult factory for item availability.

**SAFETY INFORMATION TERMS:** The following terms are used to identify hazards, safety precaution of special notations and have standard meanings throughout this manual. They are printed in all capital letters using a bold type face as shown below, and preceded by the exclamation mark symbol. When you see the safety alert symbol and one of the safety information terms as shown below, be aware of the hazard potential.



- DANGER:** Identifies the most serious hazards which will result in severe personal injury or death.
- WARNING:** Signifies a hazard that could result in personal injury or death.
- CAUTION:** Identifies unsafe practices which would result in minor personal injury or product and property damage.



**Midco**  
INTERNATIONAL

Midco® International Inc.  
4140 West Victoria Street  
Chicago, Illinois 60646  
toll free 866.705.0514  
tel 773.604.8700  
fax 866.580.8700  
web [www.midcointernational.com](http://www.midcointernational.com)  
e-mail [sales@midcointernational.com](mailto:sales@midcointernational.com)

As an ISO 9001:2008 certified company, we proudly design, manufacture and assemble our products in Chicago, Illinois, USA.

*Quality Designed for Proven Performance*

816  
**8471 54**  
Printed in USA

# Repair Kit # 5232-00

11. Connect 1/4" aluminum tubing from 1/8" x 1/4" Tube brass connector to inlet of pilot solenoid valve, connect outlet of pilot solenoid valve to pilot gas and air mixing tee as shown with formed 1/4" aluminum tubing provided in kit.
12. Test piping connections for leaks with a soap solution.
13. Adjust pilot per installation and service manual instructions included with kit or the burner.

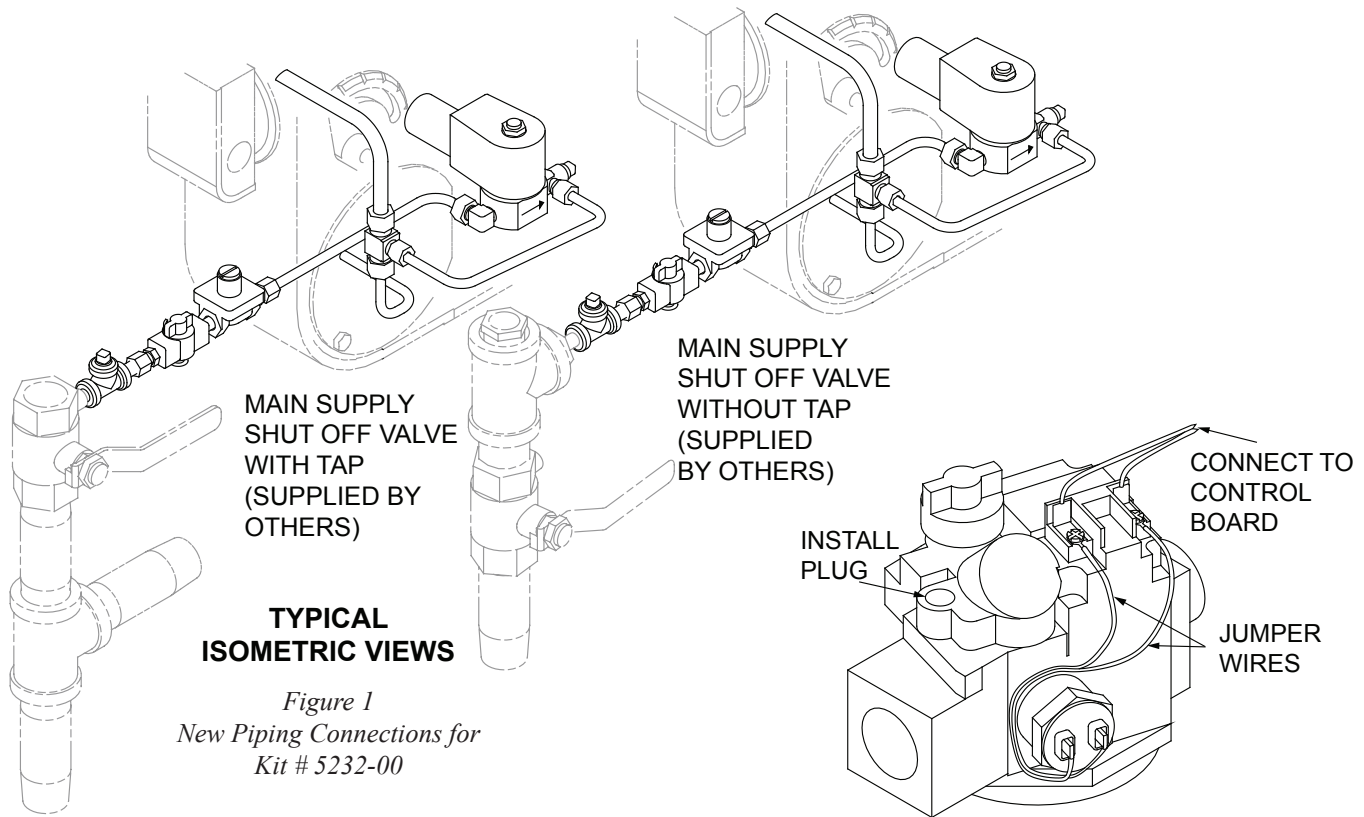


Figure 1  
New Piping Connections for  
Kit # 5232-00

WIRING FOR ROBERTSHAW VALVE

Figure 2

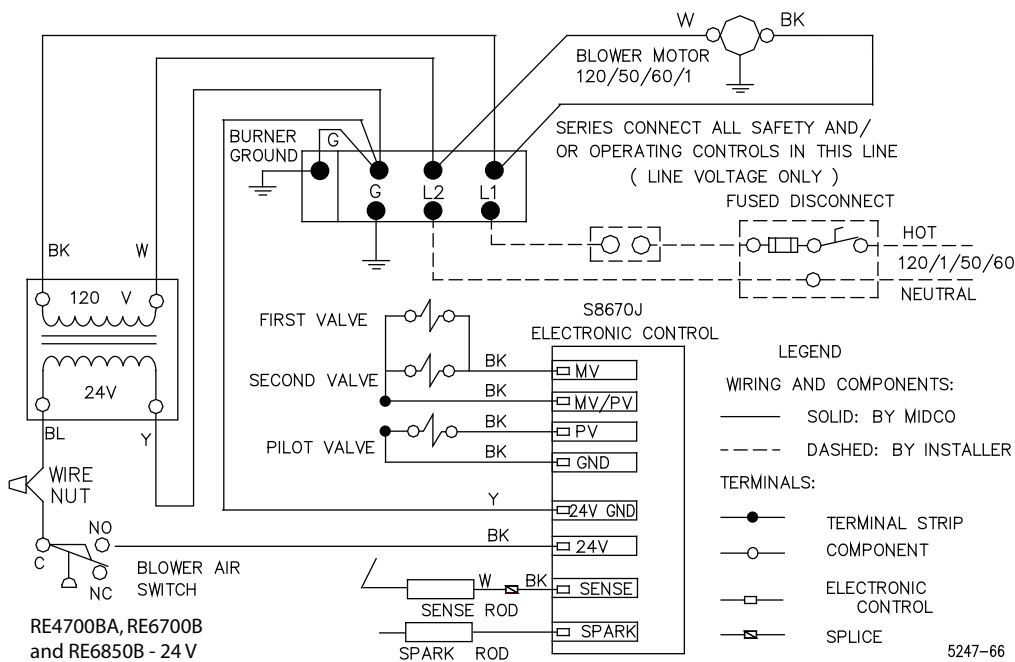


Figure 3  
Wiring Connections for  
Kit # 5232-00



**Midco**  
INTERNATIONAL

★ MADE in the USA ★

As an ISO 9001:2008 certified company, we proudly design, manufacture and assemble our products in Chicago, Illinois, USA.

Midco® International Inc. - 4140 West Victoria Street - Chicago, Illinois 60646 - toll free: 866 705 0514  
tel: 773.604.8700 - fax: 866.580.8700 - web: [www.midcointernational.com](http://www.midcointernational.com) - e-mail: [sales@midcointernational.com](mailto:sales@midcointernational.com)

816  
8471 54  
Printed in USA