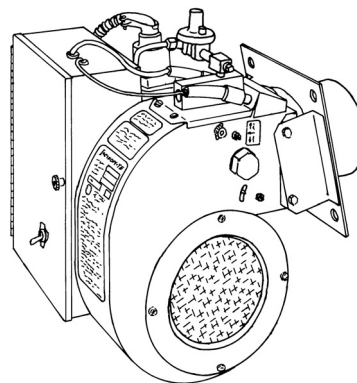


# Replacement Parts

## List Model Incinomite J83-DS



Installation and Service Manual - 8470-23  
Date Code - 587 or later

- Features S87D Honeywell Electronic Control.
- First production September 14, 1987 (date code 3887).
- Supersedes J82-DS which featured an ID605-F G.E.I. Electronic Control.
- September 9, 1991 (Date Code 3791), when 3/4 NPT Gas Valves became difficult to obtain, the 20VA Transformer was permanently upgraded to a 30VA Transformer, in order to accommodate the purchasing of alternate valves which had a higher volt amp draw.
- September 9, 1991 (Date Code 3791), when 30VA Transformers became unavailable, 260 INCINOMITES were assembled with larger 40VA Transformers. If replacement should be necessary, order 5734.50 Transformer Kit 120/1/60 24V-40VA.
- January 2009 a 40VA Transformer was introduced into production
- March 2019 burner construction features the main gas valve as ASCO (8402-35)

**IMPORTANT:** Availability of parts as well as specifications are subject to change without notice. Please consult factory for item availability.



**Midco®**  
INTERNATIONAL

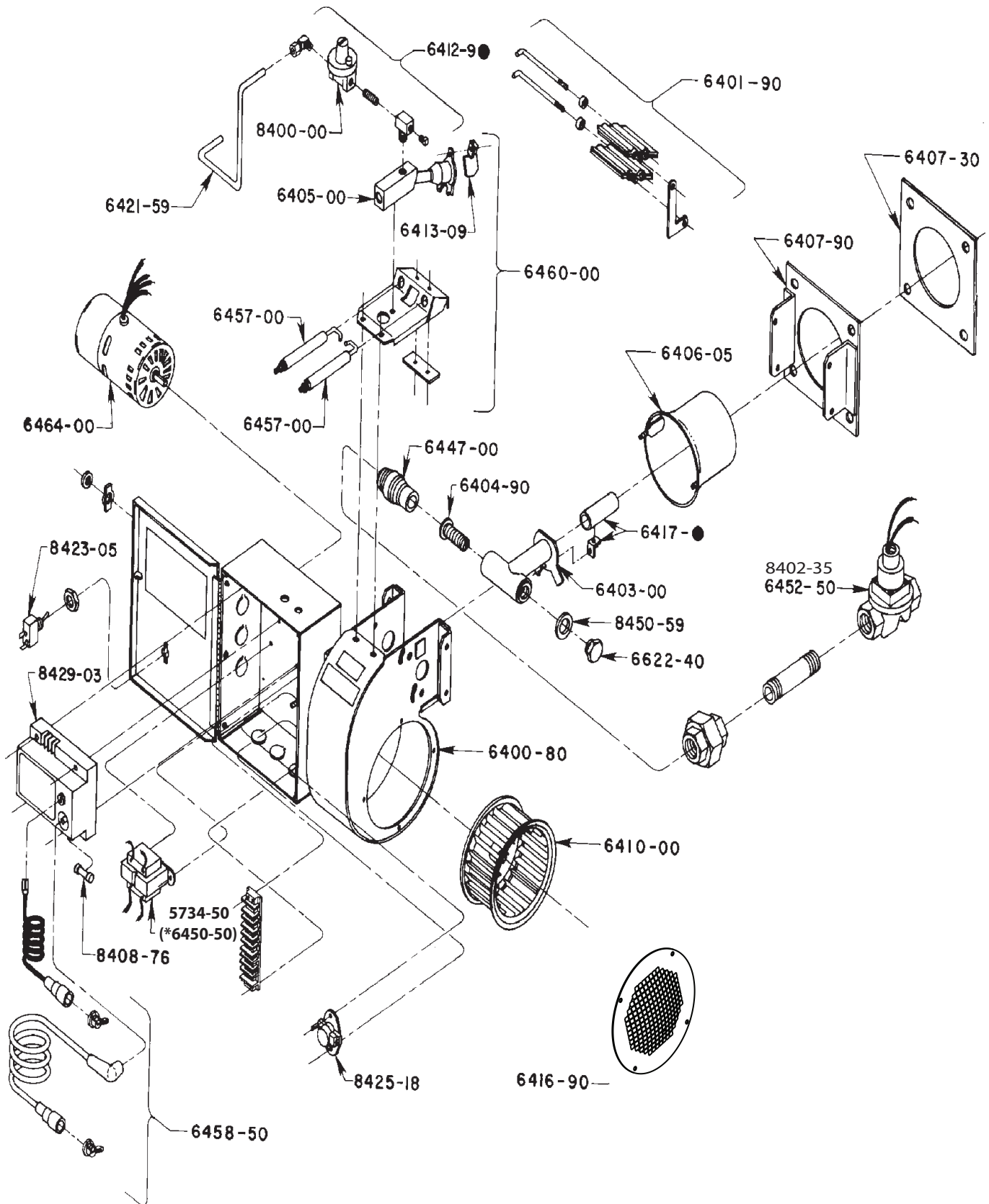
Midco® International Inc.  
4140 West Victoria Street  
Chicago, Illinois 60646  
toll free 866.705.0514  
tel 773.604.8700  
fax 773.604.4070  
web [www.midcointernational.com](http://www.midcointernational.com)  
e-mail [sales@midcointernational.com](mailto:sales@midcointernational.com)

**AVOID ERROR IN PARTS SELECTION.** When ordering use complete MIDCO Part Number and Description. Furnish Burner Model Number, Bill of Material Number and Serial Number (if available) from the specification plate found on the product.

**IMPORTANT:** Availability of parts as well as specifications are subject to change without notice. Please consult factory for item availability.



# J83 DS Isometric View



# J83 DS Parts List

Item	Part #	Description	Item	Part #	Description
5734-50	<sup>2,3</sup>	Transformer 115/1/50-60 Primary, 24V-40VA Secondary (Basler BE121620-GDD, BE12162OGAA; Prod Unlt'd 4000-01C02J232, 4000-01C02K232, 4000-01M04K232, 4000-01M04J232)	6413-09		Ground Barrier Kit
6400-80		Blower Housing Replacement Kit (order Blower Wheel, Motor, Shutters, Inlet Screen, Manifold, etc. separately)	6416-90		Inlet Ring and Screen Replacement Kit
6401-90		Shutter Replacement Kit	6417-50		Main Gas Port and Tube Kit -- PROPANE
6403-00		Manifold	6417-52		Main Gas Port and Tube Kit -- NATURAL
6404-90		Input Adjuster Screw Assembly	6421-59		Ignitor Tubing Kit
6405-00		Ignitor Gas Inlet Block, Tube and Ignitor Tip Assembly	6447-00		Input Stop Nipple
6406-05		Blast Tube	* 6450-50		120/208//240 VAC Primary 24V Secondary 40VA Transformer (for OEM Applications ONLY)
6407-30		Flange Gasket	6452-50	<sup>2,3</sup>	3/4" NPT Gas Valve -- 24 Volt (W-R 2509-266; Johnson H91LG-12D, ASCO M8040A23, GEN. CNTRL. K3A451S
6407-90		Mounting Flange Replacement Kit (order Gasket separately)	6457-00		Electrode (spark or flame) - 2 required
6410-00		Blower Wheel	6458-50		Electrode Wires, Boots and Strain Reliefs
		IGNITOR CONTROL PIPING Assembly includes Brass Orifice Tee (with drilled Orifice), Pressure Tap, Regulator and Compression Fitting	6460-00		Ignitor Assembly
6412-95		NATURAL -- #55 Drill (.052)	6464-00		Motor (Fasco U63-7163-7601)
6412-97		PROPANE -- #58 Drill (.042)	6622-40		Input Adjuster Cap
			8400-00		Ignitor Regulator 1/8 NPT (Maxitrol RV10, RV12LT)
			8402-35		ASCO Solenoid Valve 24V
			8408-76		3-Amp Type 3AG Glass Fuse -- 1/4" Dia. x 1 1/4" LG
			8423-05		On-Off Toggle Switch
			8425-18		Thermal Switch (T-O-D 60T-13-203420)
			8429-03		DSI Electronic Control Board (M-H S87D1087)
			8450-59		Input Adjuster Sealing Gasket
			2030701	<sup>1</sup>	PROPANE Conversion Kit
			2030702	<sup>1</sup>	NATURAL Conversion Kit

## NOTES

<sup>1</sup> Not illustrated.

<sup>2</sup> Care must be taken when replacing the Main Gas Valve. It is important to note that some currently available Solenoid Safety Valves may have a higher volt amp draw than valves used in the past. The combined volt amp draw of the Electronic Control Board (5.0 VA) and the replacement valve must not exceed the volt amp rating of the 24V Transformer. If it does, it is probable that the valve will chatter and/or the Electronic Control Board will malfunction. Both are dangerous conditions.

- If the burner was built before September 9, 1991 (Date Code 3791), it featured a 20VA Transformer.
- If the burner was built September 9, 1991 (Date Code 3791) and later, it features a 30VA Transformer.
- If the burner was built after January 2009, it features a 40VA Transformer.

If an exact replacement valve is not available locally, MIDCO can supply a replacement valve. However, it is important that on these early burners, the 20VA transformer be replaced with a 30VA Transformer. In addition to the valve, order 5734-50 TRANSFORMER KIT 120/1/60 24V-40VA.

<sup>3</sup> Refer to Historical Information on page 1.

\* Refer to page 2.

# J83 DS Parts List

---

