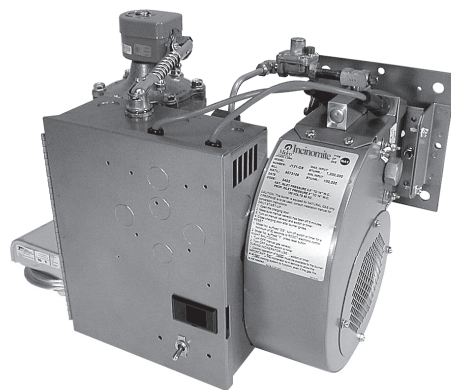


Replacement Parts List Incinomite Model J121-DS



*Installation and Service Manual - 8471 15
Date Code - 5099 or later*

- Features S87D Honeywell Electronic Control.
- First production December 21, 1999 (date code 5099).
- Model J121-DS ignitor assembly features an air adjustment screw to modify gas air ratios or improved pilot light off with air shutters full open.
- Model J121-DS Features S89E Special J121-DS with 120 volt ignition transformer (date coded - 2002)



Midco®
INTERNATIONAL

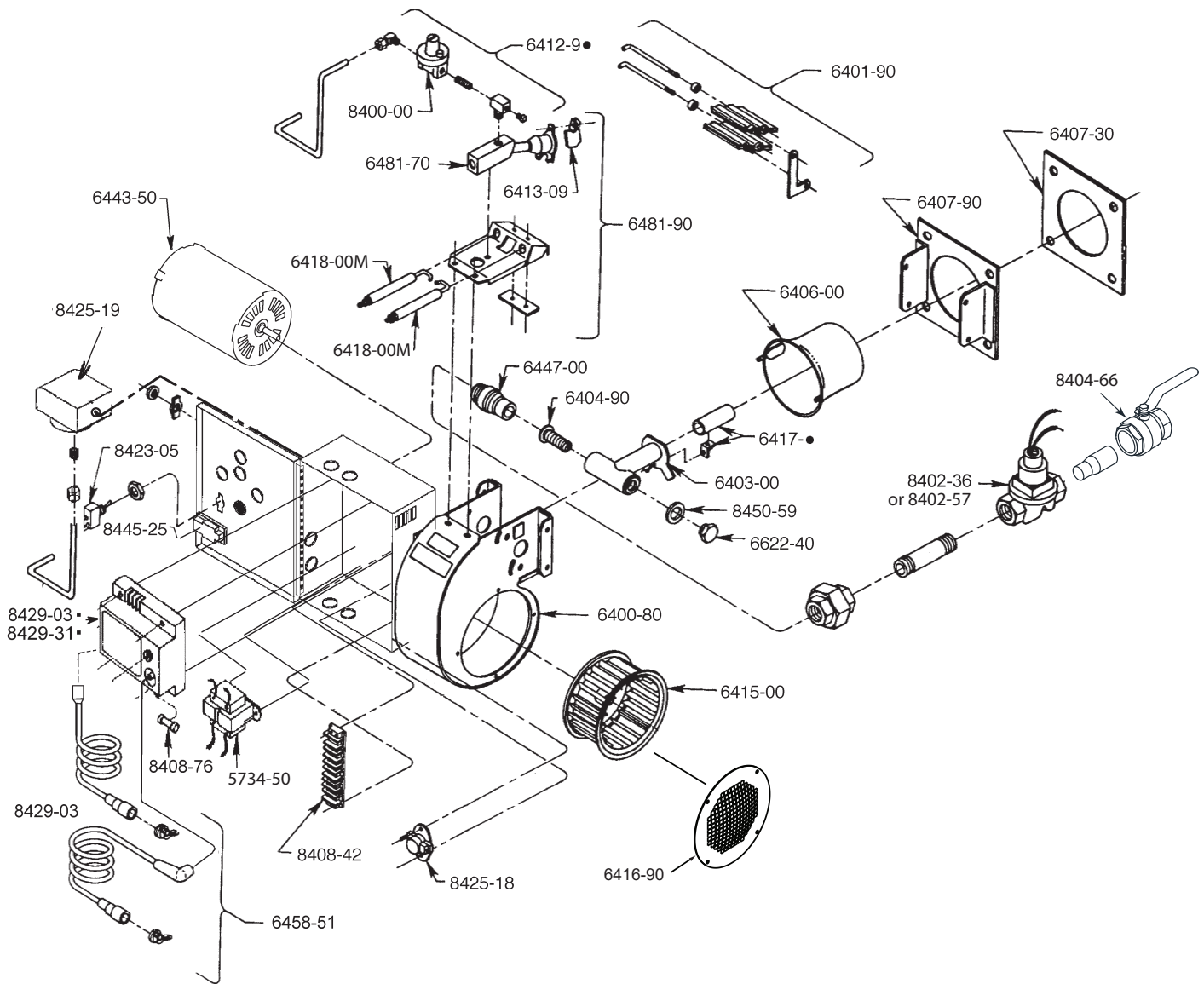
Midco® International Inc.
4140 West Victoria Street
Chicago, Illinois 60646
toll free 866.705.0514
tel 773.604.8700
fax 773.604.4070
web www.midcointernational.com
e-mail sales@midcointernational.com

AVOID ERROR IN PARTS SELECTION. When ordering use complete MIDCO Part Number and Description. Furnish Burner Model Number, Bill of Material Number and Serial Number (if available) from the specification plate found on the product.

IMPORTANT: Availability of parts as well as specifications are subject to change without notice. Please consult factory for item availability.



Exploded View Incinomite J121-DS



* Refer to listing for proper application

Parts List Incinomite J121-DS

<i>Part #</i>	<i>Description</i>	<i>Part #</i>	<i>Description</i>
5734-50	Transformer 115/1/50-60 Primary, 24V-30VA Secondary (Basler BE121620-GDD, BE121620GAA; Prod Unit'd 4000-01C02J232, 4000-01C02K232, 4000-01M04K232, 4000-01M04J232)	6481-70	Ignitor Gas Inlet Block, Tube and Ignitor Tip Assembly -- J121-DS
6416-90	Inlet Ring and Screen Replacement Kit	6481-90	Ignitor Assembly - J121-DS
6400-80	Blower Housing Replacement Kit (order Blower Wheel, Motor, Shutters, Inlet Screen, Manifold, etc., separately)	6622-40	Input Adjuster Cap
6401-90	Shutter Replacement Kit	8400-00	Ignitor Regulator 1/8 NPT (Maxitrol RV12, RV12LT)
6403-00	Manifold	8402-36	1" NPT Gas Valve 24/1/50-60 -- J121-DS (ITT K3A461S)
6404-90	Input Adjuster Screw Assembly	8402-57	1", NPT Gas Valve 24V/60Hz, Orifice Size 1-5/8", ASCO Solenoid Valve
6406-00	Blast Tube - J121-DS	8404-66	1-1/4" Ball Valve w/o Side Tap
6407-30	Flange Gasket	8408-42	10 Positional Terminal Strip
6407-90	Mounting Flange Replacement Kit (order Gasket separately)	8408-76	3-Amp Type 3AG Glass Fuse -- 1/4" Dia. x 1-1/4" LG
IGNITOR CONTROL PIPING		8423-05	On-Off Toggle Switch
Assembly includes Brass Orifice Tee (with drilled Orifice) Pressure Tap, Regulator and Compression Fitting		8425-18	Thermal Switch (T-O-D 60T-13-203420)
6412-96	J121-DS NATURAL -- #50 Drill (.070)	8425-19	Blower Air Switch -- J121-DS
6412-98	J121-DS PROPANE -- #52 Drill (.063)	8429-03 *	DSI Electronic Control Board (MH S87D1087)
6413-09	Ground Barrier Kit	8429-31 *	DSI Electronic Control Board (MH S87K1016)
6415-00	Blower Wheel - J121-DS	8445-25	Door Latch
6416-90	Inlet Ring and Screen Kit	8429-48 *	DSI Electrical Control Board (MH S89E1058)
6417-52	Main Gas Port and Tube Kit -- J121-DS PROPANE	8447-22 ^{1,2}	Ignitor Spark Generator
6417-54	Main Gas Port and Tube Kit -- J121-DS NATURAL	8450-59	Input Adjuster Sealing Gasket
6418-00M	Electrode (spark or flame) - 2 required	2030801 ¹	PROPANE Conversion Kit -- J121-DS
6443-50	Motor 1/6 HP 115/230/1/50/60 TENV -- J121-DS only	Not Shown	
6447-00	Input Stop Nipple	5233-95 ^{1,2}	J121-DS Sense Wire Assembly - (S89E Only)
6458-03	J121-DS Spark Wire Assembly	* For proper electronic control selection refer to Bill of Material Number on the burner spec plate and consult factory, as they are not interchangeable.	
6458-04	J121-DS Sense Wire Assembly	NOTATIONS:	
6458-51	Electric Wires, Boots and Strain Reliefs (J121-DS Standard Only)	¹ Not Illustrated.	
		² Used on J121-DS with S89E control Only.	

Incinomite J121-DS Parts List

