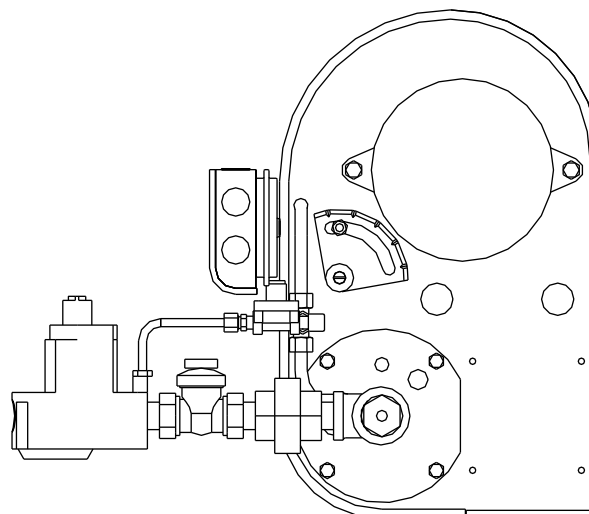


# Replacement Parts List

## Economite Models RE 4400B & RE 4400BA



*Installation and Service Manual - 8471-24*

*Date Code - 44-01*

*First production October 2001*



**Midco®**  
INTERNATIONAL

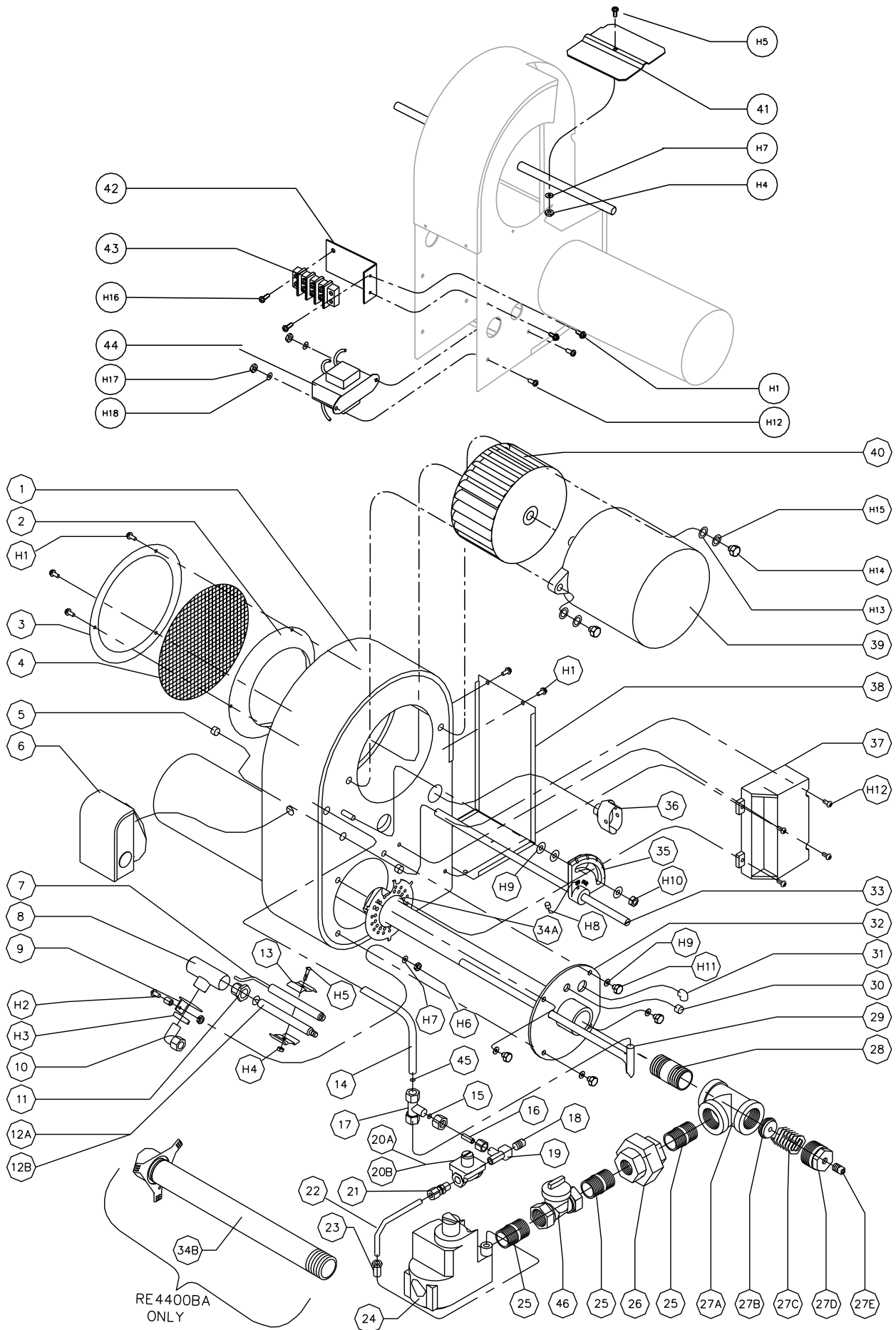
Midco® International Inc.  
4140 West Victoria Street  
Chicago, Illinois 60646  
toll free 866.705.0514  
tel 773.604.8700  
fax 773.604.4070  
web [www.midcointernational.com](http://www.midcointernational.com)  
e-mail [sales@midcointernational.com](mailto:sales@midcointernational.com)

**AVOID ERROR IN PARTS SELECTION.** When ordering use complete MIDCO Part Number and Description. Furnish Burner Model Number, Bill of Material Number and Serial Number (if available) from the specification plate found on the product.

**IMPORTANT:** Availability of parts as well as specifications are subject to change without notice. Please consult factory for item availability.


*Quality Designed for Proven Performance*

# Exploded View RE 4400B & RE 4400BA



Item	Part #	Description	Qty	Ref #	Hardware	Qty
1	5230-91	Housing Assembly	1			
2	5230-58	Air Inlet Collar	1	H1	#8 x 3/8" Slotted Washer Head Hex Screw	9
3	5230-57	Front Ring	1	H2	#10-24 x 3/8" Phillips Screw S.S.	1
4	5230-59	Air Screen	1	H3	Lock Nut (Pal Nut)	1
5	8450-19	Nylon Ins.	3	H4	#10-24 Hex Nut	2
6	8425-19	Air Switch	1	H5	#10-24 x 1-1/8" Slotted Round Screw	2
7	5230-84	Flame Rod Assembly	1	H6	#10-24 Hex Nut S.S	1
8	5230-67	Pilot Body Weldment	1	H7	#10 Lock Washer	3
9	5233-34	Pilot Bracket	1	H8	1/4"-20 x 1/4" Socket Set Screw	1
10	8483-55	1/4"M x 3/8"T-Elbow Brass Tube Fitting	1	H9	1/4" Flat Washer	7
11	5230-79	3/8" x 1/8" Brass Hex Bushing	1	H10	1/4"-20 Hex nut	1
12A	5231-99	Spark Rod Assembly - Natural	1	H11	1/4"-20 x 3/8" Hex Head Screw	4
12B	5230-80	Spark Rod Assembly - Propane	1	H12	#8-32 x 1/2" Slotted Pan Head Screw	6
13	5230-86	Flame Rod Bracket	2	H13	5/16" Flat Washer	2
14	5231-53	3/8" Air Inlet Pilot Tubing	1	H14	5/16"-18 x 1" Hex Bolt	2
15	5231-54	Pilot Gas Orifice	1	H15	5/16" Lock Washer	2
16	5232-41	1/4" Pilot Gas Tube Straight	1	H16	#8-32 x 1/2" Slotted Washer Head Hex Screw	2
17	8483-54	3/8" x 3/8" x 1/4" Brass Tee	1	H17	#8-32 Hex Nut	6
18	8496-00	1/8" Sq. Pipe Plug	1	H18	#8 Lock Washer	6
19	8483-18	1/8"M x 1/8"F x 1/4"T Brass Tee	1			
20A	8400-00	1/8" Pilot Regulator - Natural	1			
20B	8400-06	1/8" Pilot Regulator - Propane	1			
21	8483-14	1/8"M x 1/4"T Straight Conn. Brass	1			
22	5232-89	1/4" Pilot Tube 90°	1			
23	8483-27	1/4"T Pilot Line Control Nut	1			
24 <sup>1</sup>	8419-71	3/4" Redundant Comb/Pilot Valve	1			
25	8488-01	3/4" x 1 1/2" Nipple	3			
26	8493-04	3/4" Union	1			
<b>Manifold Tee Parts (27A-27E)</b>						
27A	8494-07	1" x 1" x 3/4" Tee	1			
27B	-Orifice-	See pg 4 for complete list				
27C	8416-53	7/8" x 32 1/8" Spring	1			
27D	8492-71	1" x 1/8" Hex Bushing	1			
27E	8496-00	1/8" Pipe Plug	1			
28	8488-52	1"x 2" Nipple	1			
29	5230-43	3/8" Pilot Air Tubing	1			
30	8452-32	7/16" Window Plug	1			
31	8457-47	Strain Relief	1			
32	5230-88	Back Plate Weldment	1			
33	6734-01	Air Shutter Shaft	1			
34A	5233-18	Burner Head Weldment (RE4400B)	1			
34B	5230-48	Burner Head Weldment (RE4400BA)	1			
35	3152-15	Quadrant	1			
36	8480-11	3/8" BX Duplex Conn	1			
37 <sup>1</sup>	8429-57	Electronic Control	1			
38	5230-56	Blower Housing Door	1			
39	8437-51	1/6 HP Motor 115/60	1			
40	8437-52	Blower Wheel	1			
41	5230-55	Air Shutter	1			
42	5231-56	Terminal Strip Bracket	1			
43	8408-78	3 Position Barrier Terminal Strip	1			
44	5231-57	Transformer Assembly	1			
45	5230-99	Pilot Air Orifice	1			
46	8404-30	3/4" T-Handle Ball Valve	1			
<b>Not Shown</b>						
	3252-00	Open Label				
	5205-30	3 Term Black Label				
	7400-08	Gas Valve Wire Harness				
	8452-16	Mounting Flange with Gasket				
	8452-48	Gasket for Mounting Flange				
	8457-36	Dome Plug				
	8457-37	Plastic Plug for 1.1" Dia Hole				
	8457-38	Plastic Plug for .875" Dia Hole				
	8480-01	3/8" BX, 9" long				
	8480-15	Reducing Washer				
	8484-79	Universal Bush				
	8484-80	Snap Bush				
	8504-46	19" Flame Rod Wire Assembly.				
	8504-50	Spark Wire Assembly				
See page 4 for complete list of main gas orifices.						
<b>Manual</b>						
	8471-24	Installation & Service Manual				
<b>Sub-Assemblies Available (See page 4)</b>						
	5231-66	Pilot Assembly Natural Gas				
	5233-44	Pilot Assembly Propane Gas				
See page 4 for complete list of cartridges by burner Bill of Material Number.						
<b>Natural to Propane Conversion Kit</b>						
	5233-41	RE4400B & RE4400BA Conversion Kit				

## NOTES

<sup>1</sup>  **WARNING:** Explosion hazard. Can cause serious injury or death. This device can malfunction if it gets wet. Never try to use a device that has been wet -- replace it.

# RE 4400B & RE 4400BA Sub-Assemblies

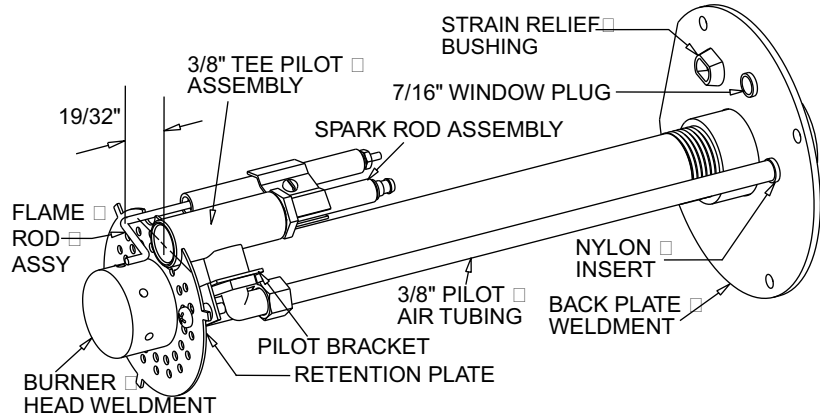
To select the correct cartridge assembly check the gas burner specifications plate. The Bill of Material (BOM) number can be found on the specification plate. Select the correct burner cartridge from the list below

List of Cartridges by Bill of Material numbers (B.O.M.)

## RE4400B

B.O.M. #	Cartridge #
4090150	5233-21 (Natural)
4090160	5233-21 (Natural)
4090163	5233-11 (Propane)

Cartridge Assembly  
RE4400B

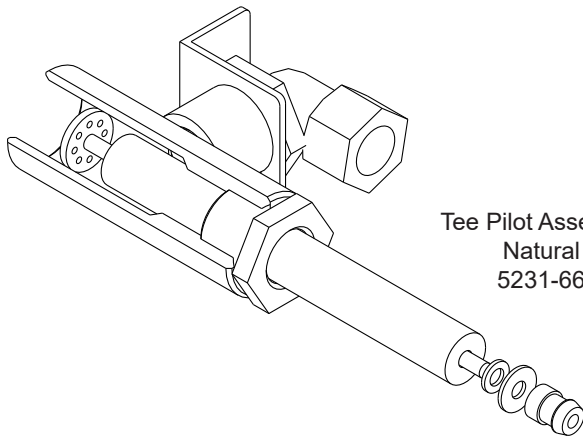
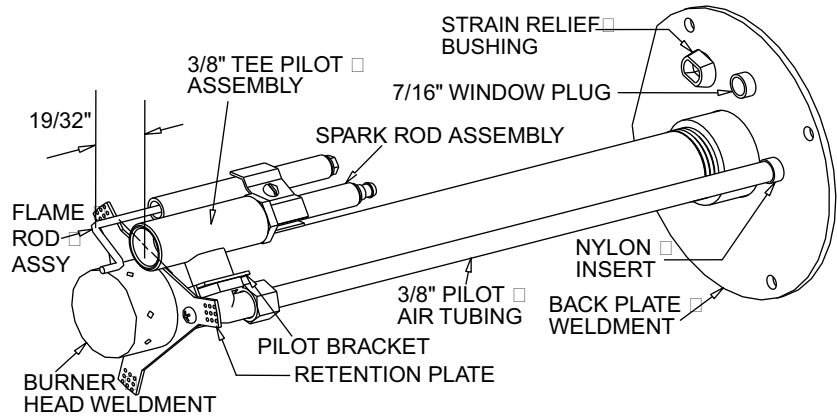


List of Cartridges by Bill of Material numbers (B.O.M.)

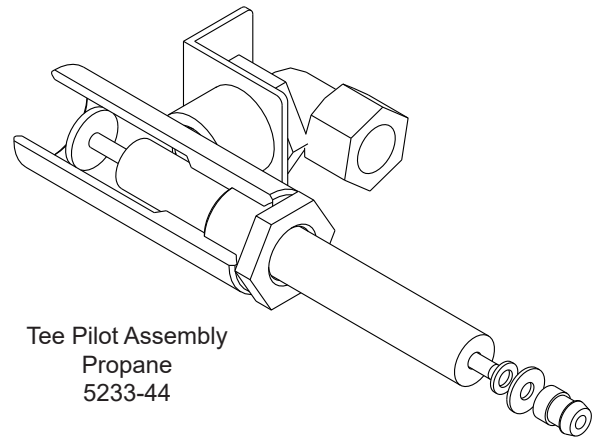
## RE4400BA

B.O.M. #	Cartridge #
4090151	5230-49 (Natural)
4090161	5230-49 (Natural)
4090163	5233-11 (Propane)

Cartridge Assembly



Tee Pilot Assembly  
Natural  
5231-66



Tee Pilot Assembly  
Propane  
5233-44

### List of Main Gas Orifices

Midco International has used a number of orifices to restrict the flow of fuel. To properly select the correct orifice contact the factory.

Part #	Dia. (in inches)	Stamp #
5230-23	.290	B
5230-24	.261	C
5230-26	.219	E
5230-31	.358	J