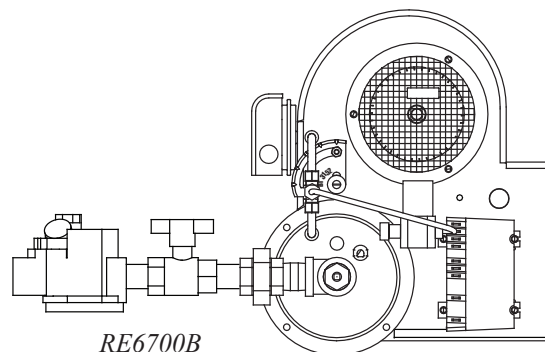


Replacement Parts List

Economite Model
RE 6700B & RE 6850B



RE6700B

Installation and Service Manual - 8471-45

Date Codes

RE6700B - January 2005

RE6850B - June 2006



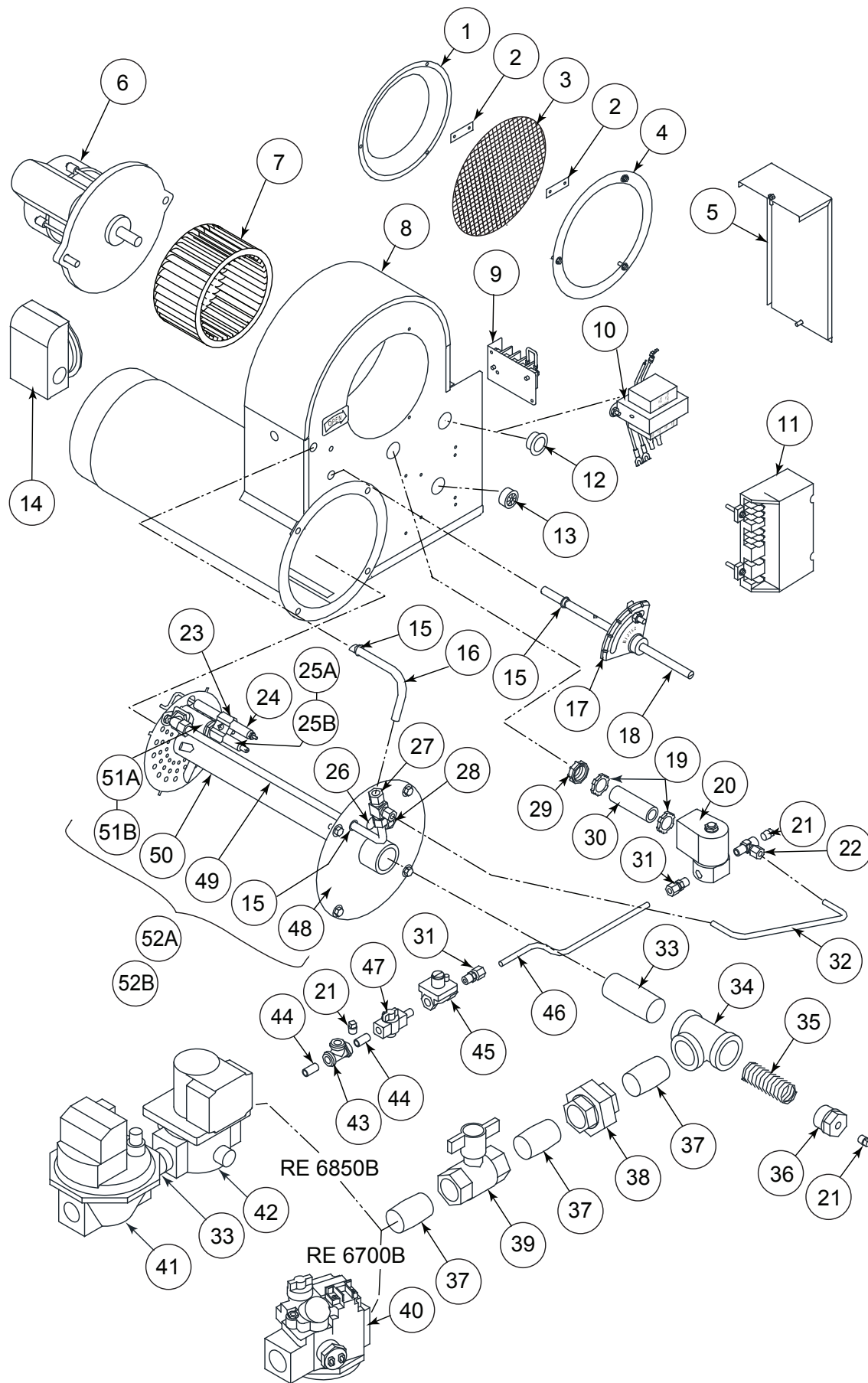
Midco®
INTERNATIONAL

Midco® International Inc.
4140 West Victoria Street
Chicago, Illinois 60646
toll free 866.705.0514
tel 773.604.8700
fax 773.604.4070
web www.midcointernational.com
e-mail sales@midcointernational.com

AVOID ERROR IN PARTS SELECTION. When ordering use complete MIDCO Part Number and Description. Furnish Burner Model Number, Bill of Material Number and Serial Number (if available) from the specification plate found on the product.

IMPORTANT: Availability of parts as well as specifications are subject to change without notice. Please consult factory for item availability.

Exploded View - RE 6700B & RE 6850B



RE6700B & RE 6850B Exploded View

RE 6700B & RE 6850B - Parts List

Item	Part #	Description	Qty	Item	Part #	Description	Qty
1	5230-58	Air Entrance	1	26	8452-32	7/16" Window Plug	1
2	5240-78	WS Sticker RE6850	2	27	8483-54	3/8" X 3/8" X 1/4" Tee Brass	1
3	5230-59	Air Screen	1	28	8457-47	Strain Relief Bushing	1
4	5230-57	Front Ring	1	29	8480-14	1/2" Conduit Bushing	1
5	5240-62	Housing Door	1	30	8487-53	1/2" X 2.5" Long Nipple	1
6	8437-60	1/7 Hp 115/60 3450rpm motor	1	31	8483-14	1/8" X 1/4" Straight Connector	2
7	8437-55	Blower Wheel	1	32	5232-02	1/4" OD PV 2/9.875	1
8	5240-58	Blower Housing & Blast Tube Weldment	1	33	8488-61	1" X 3" Nipple	1
9	5230-64	Terminal Strip Bracket Assembly	1	34	8494-43	1" NPT Tee	1
10	5231-57	Transformer Assembly	1	35	8416-53	Reg. Spring 7/8" ID X 3 1/8" Long	1
11	8429-57	Ignition Controller - S8670J3002	1	36	8492-71	1" X 1/8" Hex Bushing	1
12	8457-37	K.O Seal 1/2	1	37	8488-52	1" X 2" Nipple	3
13	8484-79	Universal Bushing	2	38	8493-06	1" Union	1
14	8425-19	Blower Air Switch	1	39	8404-29	1" NPT T-Handle Ball Valve	1
15	8450-19	3/8" Nylon Insert	3	40	8419-50	1" Rndnt Slo Opn Comb/Pil Vlv	1
16	5240-76	3/8" Air Inlet Pilot Tubing	1	41	8419-68	1"NPT2-Way Comb DV Valve 24V1	1
17	3152-01	Quadrant	1	42	8402-36	1" Solenoid Valve 24V	1
18	6734-00	Shutter Shaft	1	43	8494-00	1/8 Tee, Black Malleable	1
19	8480-16	1/2" Fitting Lock Nut	2	44	8485-00	1/8" Close Nipple	2
20	8402-37	1/8" NPT Solenoid Valve, 24V	1	45	8400-00	1/8" Pilot Regulator	1
21	8496-00	1/8" - Pipe Plug	3	46	1346-26	Pilot Tubing Al 5 ft.	1
22	8483-18	1/8M x 1/8F x 1/4T BR Comp Tee	1	47	8401-00	1/8" NPT Cock	1
23	5230-86	Flame Rod Bracket	2	48	5240-64	Back Plate Weldment	1
24	5230-84	Flame Rod Assembly	1	49	5240-65	3/8" Pilot Air Tube	1
25a	5230-80	Spark Rod Propane	1	50	5240-54	Burner Head Weldment	1
25b	5231-99	Spark Rod Natural	1	51a	* 5231-66	3/8 Tee Pilot Assembly Natural	1
				51b	* 5230-78	3/8 Tee Pilot Assembly Propane	1
				52a	* 5230-70	Cartridge Assembly Propane	
				52b	* 5240-70	Cartridge Assembly Natural	

* see also page 4

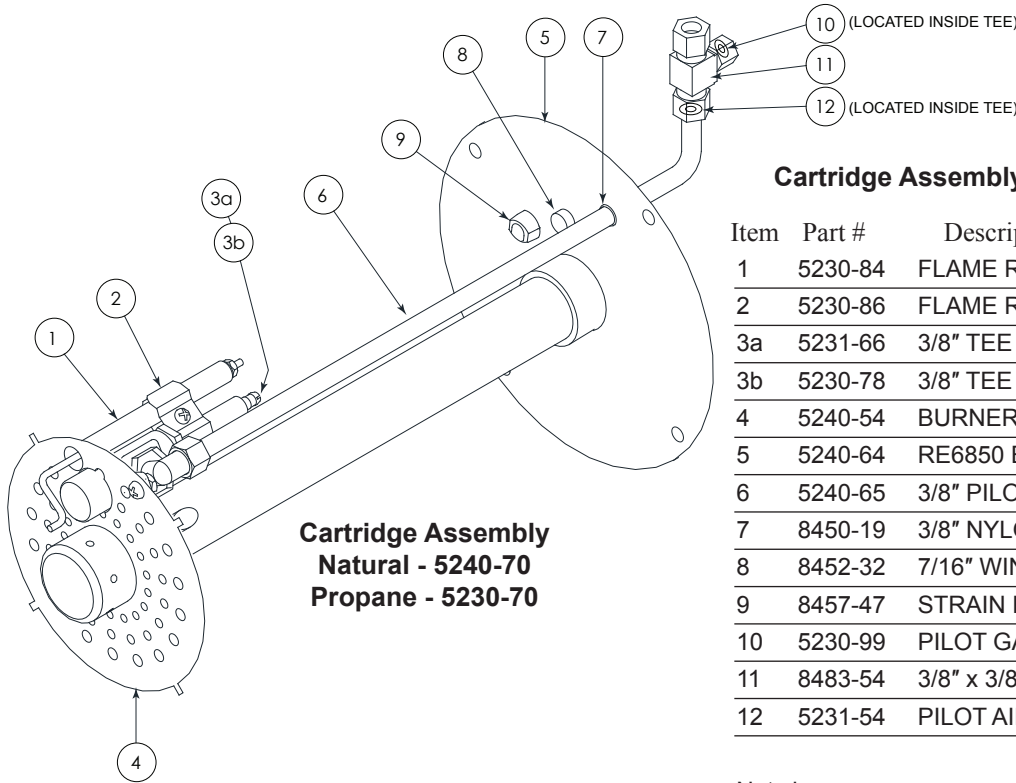
Not Shown

2020800	Flange
5240-89	Rope Gasket

Pilot Kit

3185-50	Pilot Bag Assembly Kit		
45	8400-00	1/8" Pilot Regulator	1
47	8401-00	1/8" NPT Cock	1
31	8483-14	1/8" X 1/4" Straight Connector	2
44	8485-00	1/8" Close Nipple	2
43	8494-00	1/8 Tee, Black Malleable	1
21	8496-00	1/8" - Pipe Plug	3

Cartridge Assembly - RE 6700B & RE 6850B



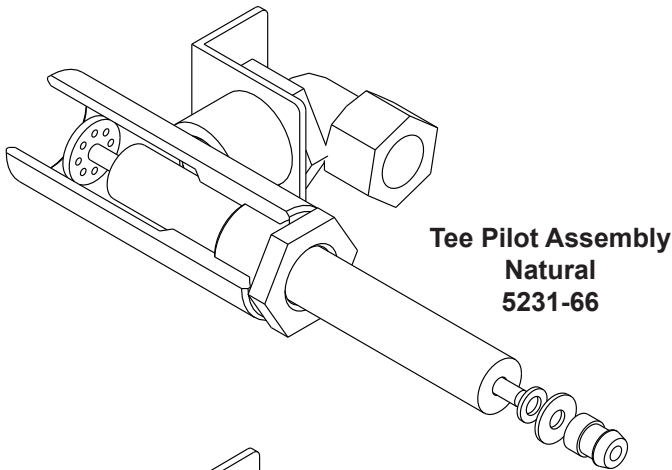
**Cartridge Assembly
Natural - 5240-70
Propane - 5230-70**

Cartridge Assembly for RE 6700B & RE 6850B

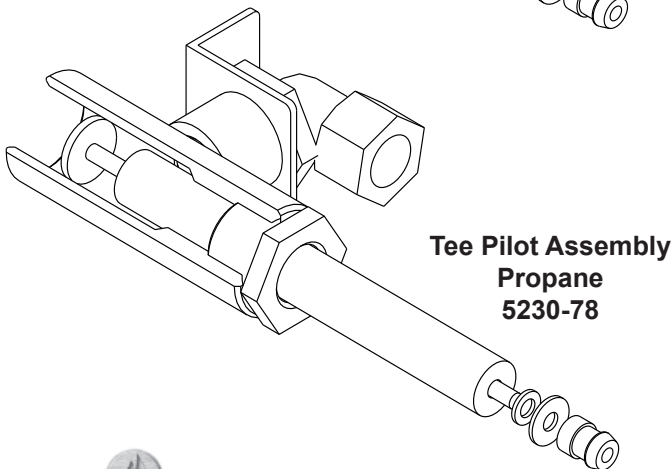
Item	Part #	Description	Qty
1	5230-84	FLAME ROD ASSEMBLY	1
2	5230-86	FLAME ROD BRACKET	2
3a	5231-66	3/8" TEE PILOT ASSEMBLY - NATURAL	1
3b	5230-78	3/8" TEE PILOT ASSEMBLY - PROPANE	1
4	5240-54	BURNER HEAD WELDMENT - RE6850	1
5	5240-64	RE6850 BACK PLATE WELDMENT	1
6	5240-65	3/8" PILOT AIR TUBE RE6850	1
7	8450-19	3/8" NYLON INSERT	1
8	8452-32	7/16" WINDOW PLUG	1
9	8457-47	STRAIN RELIEF BUSHING	1
10	5230-99	PILOT GAS ORIFICE (Inside)	1
11	8483-54	3/8" x 3/8" x 1/4" TEE BRASS	1
12	5231-54	PILOT AIR ORIFICE (Inside)	1

Not shown

8504-50	SPARK WIRE ASSEMBLY	1
8505-94	FLAME ROD WIRE ASSEMBLY	1



**Tee Pilot Assembly
Natural
5231-66**



**Tee Pilot Assembly
Propane
5230-78**

Midco International has used a number of orifices to restrict the flow of fuel. To properly select the correct orifice contact the factory.

List of Main Gas Orifices

Part #	Dia (in inches)	Stamp #
5230-27	.422	F
5230-29	.563	H
5230-31	.358	J
5230-32	.332	K