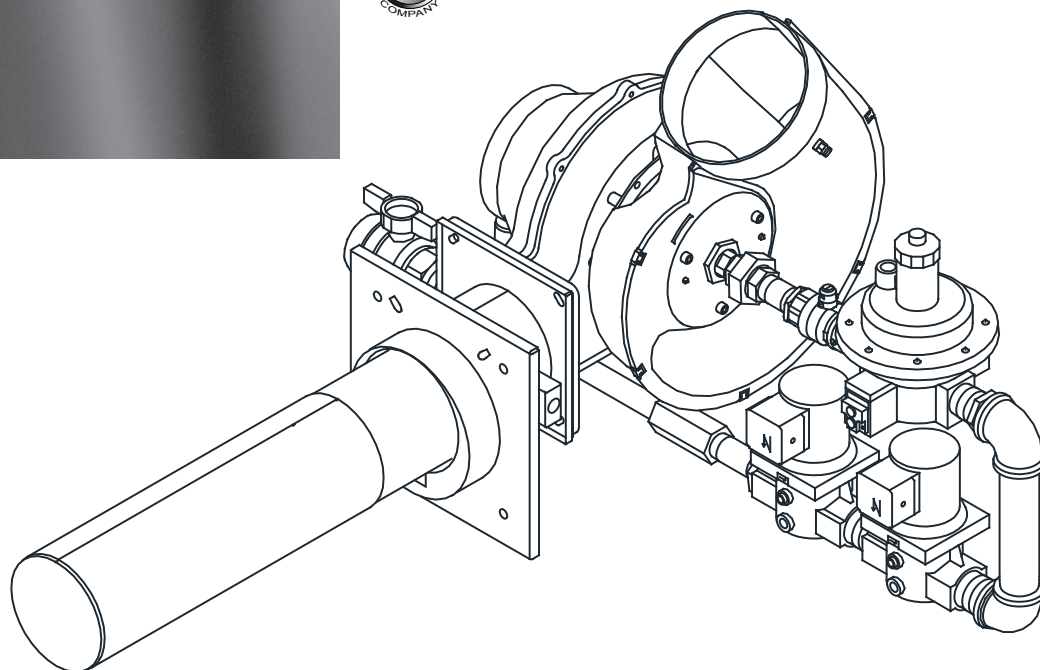


Replacement Parts &

Low NO_x Burners - 120V Model LNB2000

without Combustion Chamber



★MADE in the USA★

Installation and Service LNB 2000 Manual - 8478-01

Date Code - 0115

First Manufactured January 2015

The air and gas are premixed through a modulating premix gas blower. The air and gas is ignited using a simple direct spark ignition system not requiring an additional pilot burner. Once the air and gas are premixed it is distributed through a high efficient metal fiber burner head. Premixing the fuel and air before ignition assures complete combustion with minimal levels of CO and NO_x.



Midco®
INTERNATIONAL

Midco® International Inc.
4140 West Victoria Street
Chicago, Illinois 60646
toll free 866.705.0514
tel 773.604.8700
fax 866.580.8700
web www.midcointernational.com
e-mail sales@midcointernational.com

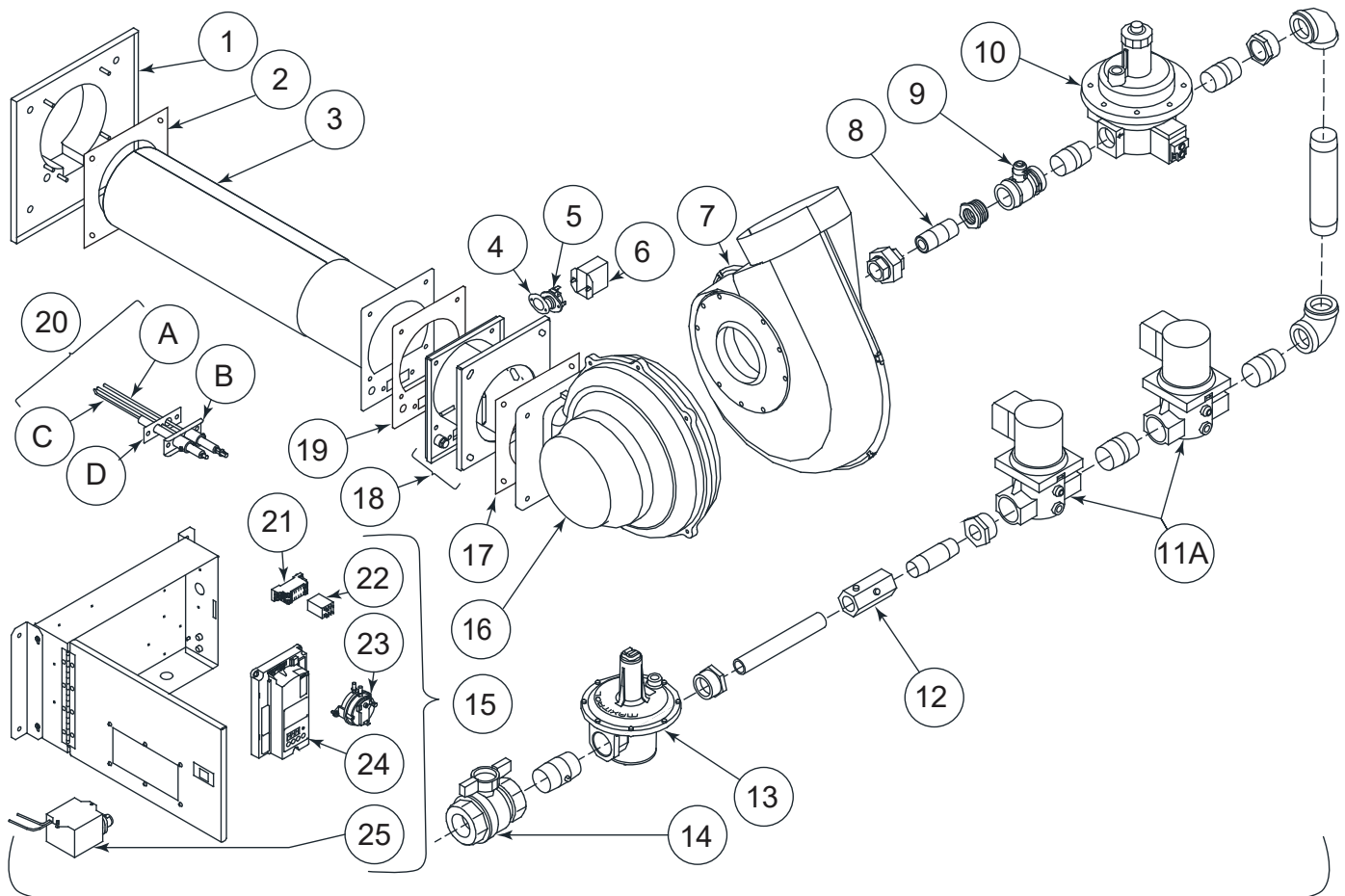
AVOID ERROR IN PARTS SELECTION. When ordering use complete MIDCO Part Number and Description. Furnish Burner Model Number, Bill of Material Number and Serial Number (if available) from the specification plate found on the product.

IMPORTANT: Availability of parts as well as specifications are subject to change without notice. Please consult factory for item availability.

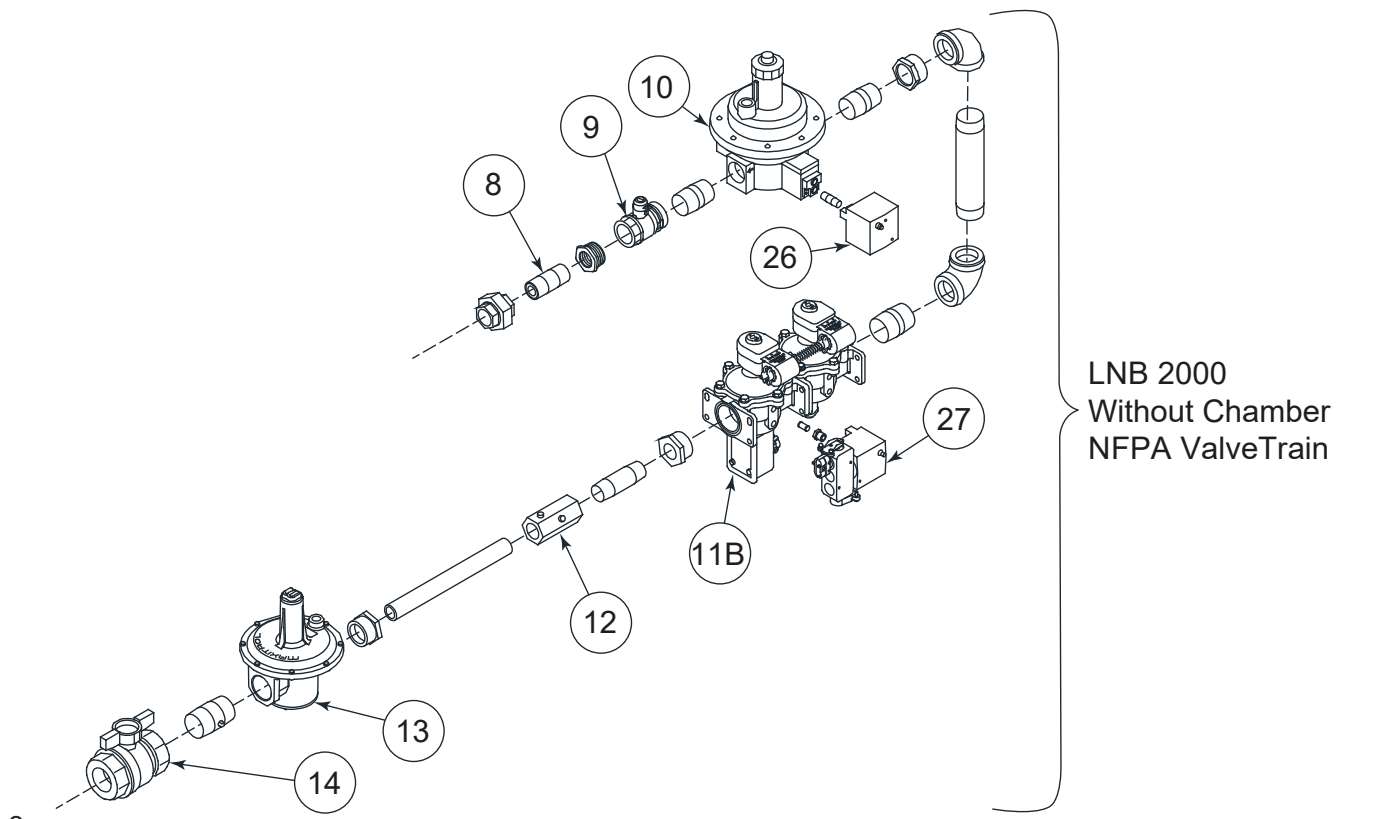


Quality Designed for Proven Performance

Exploded View - Low NOx Burner - LNB2000



LNB 2000 Without Chamber (Standard)



LNB 2000 Without Chamber NFPA ValveTrain

Low NOx - LNB2000 - Burner Parts List

<i>Item</i>	<i>Part #</i>	<i>Description</i>
1	5250-16	Burner Mounting Flange Weldment LNB 2000
2	5250-09	Burner Head Gasket LNB 2000
3	5250-13	Burner Head Weldment LNB 2000
4	5247-39	Gasket Thermal Switch
5	8425-58	Thermal Switch (SPDT) 160-130
6	5248-79	Cover Conduit Box - LNB
7	8416-23	Air Collector Kit (EBM G3G200)
8	5248-29	1" X 3" Nipple w/ Orifice - LNB
9	8404-40	1-1/4" Quick Actuated Ball Valve
10	8416-57	Ratio Regulator FRG 712/6 1-1/4"
11A	8402-07	1-1/2" Solenoid Gas Valve 120V
11B	8418-13	1-1/2" Double Gas Shutoff Valve Assembly w/ Proof of Closure & Visual Indicator (120V)
12	8416-61	Gas Venturi Meter (VBS) 1"
13	8416-05	1-1/2" NPT Gas Regulator
14	8404-62	1-1/2" T Handle Ball Valve
15	5248-48	Control Box Assembly - LNB 2000
16	8435-33	Nautilair 12.3" Brushless DC Blower
17	5250-11	Connector Gasket B LNB 2000
18	5250-19	Blower Connector Weldment LNB 2000
19	5250-12	Connector Gasket A LNB 2000
20	5247-09R	Ignition and Flame Sensing Assembly LNB 7"
	A	5247-35 Flame Rod Assembly LNB 7 "
	B	5247-10 Ignition Assembly Weldment 7 "
	C	5247-12 Spark Rod Assembly LNB 7 "
	D	5247-11 Ignitor Flange Gasket 7 "
21	8406-96	Relay Sockey - DIN Rail
22	8406-95	Power Relay (DPDT) 120V Plug In
23	8425-52	Pressure Differential Switch for HTD
24	8429-80	Burner Control (LME71) - Programmed
25	8447-22	Ignitor Spark Generator
26	8425-63	Siemen High Gas Switch 2.0" - 20" W.C.
27	8425-62	Siemen Low Gas Switch 1.0" - 20" W.C.

Low NO_x - LNB2000 - without Combustion Chamber - Parts List



★ MADE in the USA ★

Midco® International Inc. - 4140 West Victoria Street - Chicago, Illinois 60646 - toll free: 866 705 0514
tel: 773.604.8700 - fax: 866.580.8700 - web: www.midcointernational.com - e-mail: sales@midcointernational.com

