

Weatherhoods

EC 200/300
RE 4400DS
RE 4400DS HTD



★ **MADE** in the **USA** ★

*Weatherhood for the
EC 200/300 and
RE 4400DS*



Midco International has introduced a new product for the brewing industry. We have designed a weatherhood enclosure to protect the Midco gas burner from moisture and the elements.

Water Resistant

Easy Assembly - by Installer

Powder Coated Cold Rolled Steel

*Weatherhood Kits for EC 200/300,
RE 4400DS & RE4400DS HTD Burners*



*Weatherhood for the
RE 4400DS HTD*



Midco[®]
INTERNATIONAL

Midco[®] International Inc.
4140 West Victoria Street
Chicago, Illinois 60646
toll free 866.705.0514
tel 773.604.8700
fax 866.580.8700
web www.midcointernational.com
e-mail sales@midcointernational.com

Contact our Midco Sales team for correct item numbers.

*We stand by our motto:
“Quality Designed for Proven Performance”.*

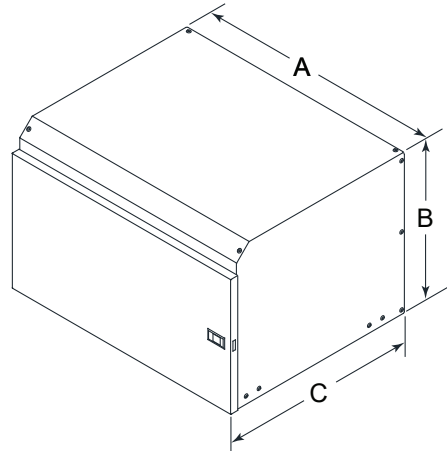
★ **MADE** in the **USA** ★

As an ISO 9001 certified company, we proudly design, manufacture and assemble our products in Chicago, Illinois, USA.

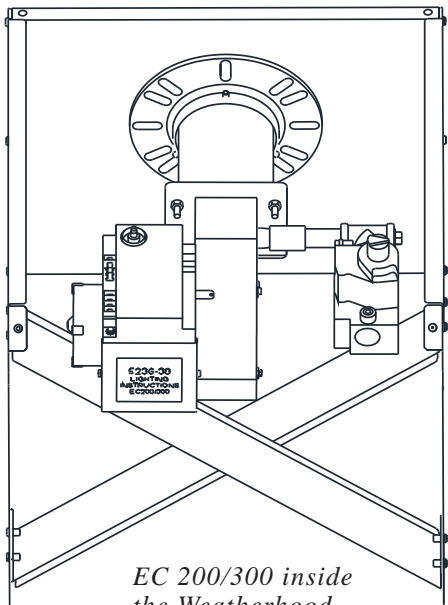
Quality Designed for Proven Performance

Weatherhood Dimensions

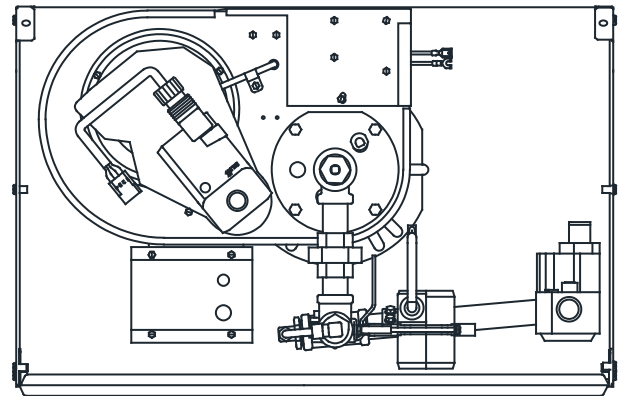
Burner Model	Width A	Height B	Depth C	Weather Hood Kit Number
EC 200/300	18 1/2"	16 1/8"	20 1/4"	2080201
RE 4400DS	18 1/2"	16 1/8"	20 1/4"	2080202
RE 4400DS HTD	25 1/2"	16 1/8"	20 1/4"	2080203



Weatherhood Dimensions



EC 200/300 inside the Weatherhood



RE 4400DS HTD inside the Weatherhood

Whether you purchase an 'off the shelf' unit or have us create one to fit your needs, you can be assured of having purchased the finest combustion power gas burner in the industry. Do you need assistance in burner selection, installation or service? Just call Midco International direct today or visit our web site at www.midcointernational.com and locate your local representative to find out more about our complete line of burners.



★ **MADE** in the **USA** ★

As an ISO 9001 certified company, we proudly design, manufacture and assemble our products in Chicago, Illinois, USA.
 Midco® International Inc. - 4140 West Victoria Street - Chicago, Illinois 60646 - toll free: 866 705 0515
 tel: 773.604.8700 - fax: 866.580.8700 - web: www.midcointernational.com - e-mail: sales@midcointernational.com



819
8475 16
 Printed in USA