



★MADE in the USA★

Weather Hood Kit Systems for EC 200/300, RE 4400DS & RE 4400DS HTD



CAUTION: Read and understand this service bulletin thoroughly before starting. Only a trained, experienced service technician should attempt this service procedure.

Installation instructions for weather hood systems:

EC 200/300, RE 4400DS and RE 4400DS HTD Burners.

EC 200/300	Kit # 2080201
RE 4400DS	Kit # 2080202
RE 4400 DS HTD (High Turn down)	Kit # 2080203

Burner

<i>Model</i>	<i>Part #</i>	<i>Description</i>	<i>Qty</i>
<i>Kit # 2080201</i>	EC 200/300 - kit contains:		
	6419-25	EC & RE 4400DS Weather Hood Door Assembly	1
	6419-19	EC Weather Hood Back Plate	1
	6419-14	EC & RE 4400DS Weather Hood Top Plate	1
	6419-12	Weather Hood Right Side	1
	6419-22	EC & RE 4400 DS Bottom Cross Member	1
	6419-23	EC & RE 4400 DS Top Cross Member	1
	6419-11	Weather Hood Left Side	1
<i>Kit # 2080202</i>	RE 4400DS - kit contains:		
	6419-25	EC & RE 4400DS Weather Hood Door Assembly	1
	6419-23	RE 4400 DS Top Cross Member	1
	6419-22	RE 4400 DS Bottom Cross Member	1
	6419-14	EC & RE 4400 DS Hood Top Plate	1
	6419-18	RE 4400 DS Weather Hood Back Plate	1
	6419-12	Weather Hood Right Side	1
	6419-11	Weather Hood Left Side	1
<i>Kit # 2080203</i>	RE 4400DS HTD - kit contains:		
	6419-24	RE 4400 DS HTD Weather Hood Door Assembly	1
	6419-21	RE 4400 DS HTD Top Cross Member	1
	6419-20	RE 4400 DS HTD Bottom Cross Member	1
	6419-17	RE 4400 DS HTD Weather Hood Back Plate	1
	6419-13	RE 4400 DS HTD Weather Hood Top Plate	1
	6419-12	Weather Hood Right Side	1
	6419-11	Weather Hood Left Side	1



Weather hood for EC 200/300 & RE 4400DS - closed



Weather hood for RE 4400DS HTD - closed



Weather hood for RE 4400DS HTD - opened

Installation instructions to follow ...

AVOID ERROR IN PARTS SELECTION. When ordering use complete MIDCO Part Number and Description. Furnish Burner Model Number, Bill of Material Number and Serial Number (if available) from the specification plate found on the product.

IMPORTANT: Availability of parts as well as specifications are subject to change without notice. Please consult factory for item availability.

SAFETY INFORMATION TERMS: The following terms are used to identify hazards, safety precaution of special notations and have standard meanings throughout this manual. They are printed in all capital letters using a bold type face as shown below, and preceded by the exclamation mark symbol. When you see the safety alert symbol and one of the safety information terms as shown below, be aware of the hazard potential.



DANGER: Identifies the most serious hazards which will result in severe personal injury or death.
WARNING: Signifies a hazard that could result in personal injury or death.
CAUTION: Identifies unsafe practices which would result in minor personal injury or product and property damage.



Midco[®]
INTERNATIONAL

Midco[®] International Inc.
4140 West Victoria Street
Chicago, Illinois 60646
toll free 866.705.0514
tel 773.604.8700
fax 866.580.8700
web www.midcointernational.com
e-mail sales@midcointernational.com

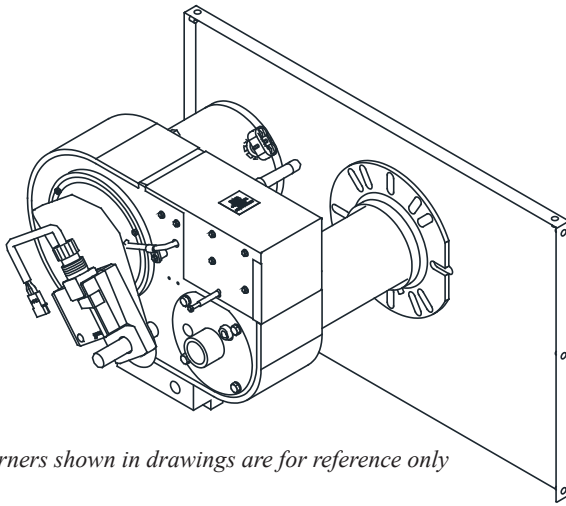
As an ISO 9001 certified company, we proudly design, manufacture and assemble our products in Chicago, Illinois, USA.

Quality Designed for Proven Performance

819
8476 23
Printed in USA

Weather Hood Kits for EC 200/300, RE 440DS & RE 440DS HTD

*Weather hood Kit Installation Instructions for the EC, RE 440DS and RE 440DS HTD
Burner shown is a RE 440DS HTD*



Burners shown in drawings are for reference only

Figure 1 - Step One

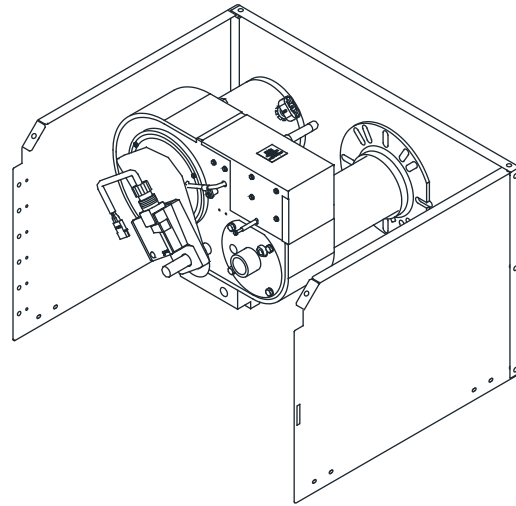


Figure 2 - Step Two

1. Position the back plate onto unit. Make sure the back plate is seated flush against the unit. Mount burner onto the back plate using the provided 5/16" flat washers and lock washers that are provided. Once the burner is mounted, adjust the insertion depth of the burner blast tube to fit the application accordingly.

2. Bolt left and right side panels to the back plate with the provided 10x32 x 3/8" slotted hex washer head screws. All surfaces of the side panels must be flush to the back plate for proper installation of the top plate.

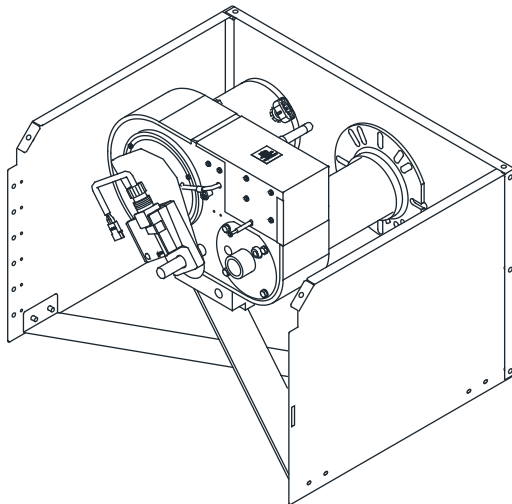


Figure 3 - Step Three

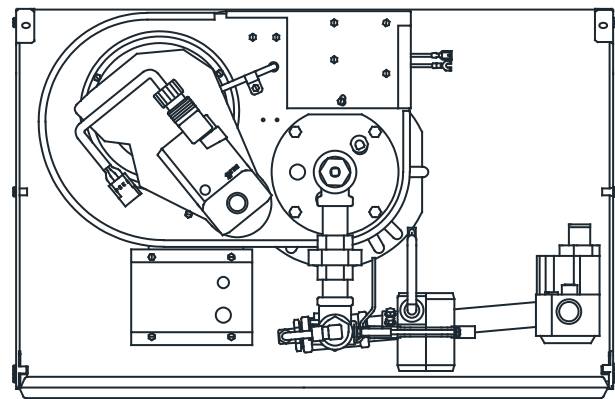


Figure 4 - Step Four - Front view

3. Mount cross members on both the left and right side panels using the provided 10x32 x 3/8" screws. Once the cross members are mounted, ensure they are level.

4. For the **RE HTD unit only**: Connect the valve train to the burner and connect the gas line connection fittings but **do not install the gas line.**

Weather Hood Kits for EC 200/300, RE 440DS & RE 440DS HTD

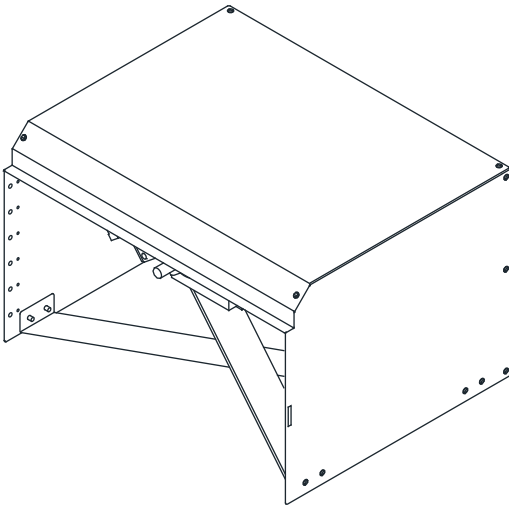


Figure 5 - Step Five

5. Bolt the top plate to the back plate and side panels using the provided 10x32 x 3/8" screws.

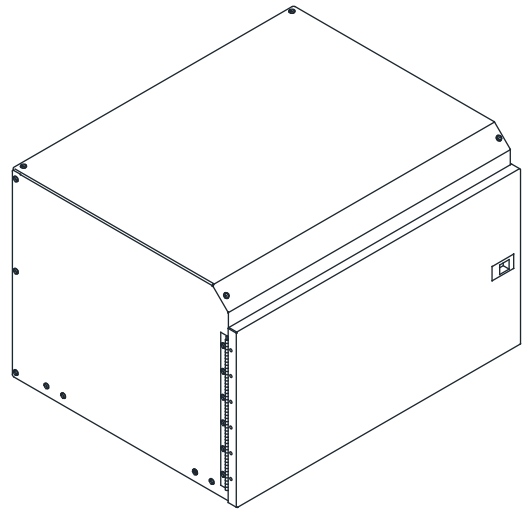


Figure 6 - Step Six

6. Mount the door hinge to the left side panel using the provided 10x32 x 3/8" screws. Once the weather hood installation is complete, close and open door to check functionality.

7. Install gas line and follow proper installation and lighting instructions provided in envelop assembly.

Weather hood Kits for EC 200/300, RE 4400DS and RE 4400DS HTD



★ MADE in the USA ★

As an ISO 9001 certified company, we proudly design, manufacture and assemble our products in Chicago, Illinois, USA.

Midco® International Inc. - 4140 West Victoria Street - Chicago, Illinois 60646 - toll free: 866 705 0514
tel: 773.604.8700 - fax: 866.580.8700 - web: www.midcointernational.com - e-mail: sales@midcointernational.com

