

Replacement Parts List

Economite Model DS24

★MADE in the USA★

The DS24 burner has been discontinued as of February 23, 1993. Only the parts listed in this parts list are available.

*Installation and Service Manual - 8470 71 (DS24A)
Date Code - 2284*

- First construction June 1, 1984 (date code 2284).
- Features a 3-function redundant main automatic valve as required by ANSI Z21.17b.
- A 20VA Transformer required to satisfy redundant valve load.
- Supersedes Model DS22.
- Early burners featured a Fenwal 05-16 Control Board for ignition and flame monitoring. In February 1986, Honeywell S87D became an alternate Electronic Control System. Refer to Page 3 - DSI ELECTRONIC CONTROLS.
- Production discontinued February 23, 1993 (date code 0893).
- Superseded by Model DS24A featuring a 30VA Transformer to accommodate higher current draw for newer Honeywell Combination Valves, Terminal strip with 4-terminals plus earth ground terminal and modified wiring.



Midco® International Inc.
4140 West Victoria Street
Chicago, Illinois 60646
toll free 866.705.0514
tel 773.604.8700
fax 866.580.8700
web www.midcointernational.com
E-mail sales@midcointernational.com

AVOID ERROR IN PARTS SELECTION. When ordering use complete MIDCO Part Number and Description. Furnish Burner Model Number, Bill of Material Number and Serial Number (if available) from the specification plate found on the product.

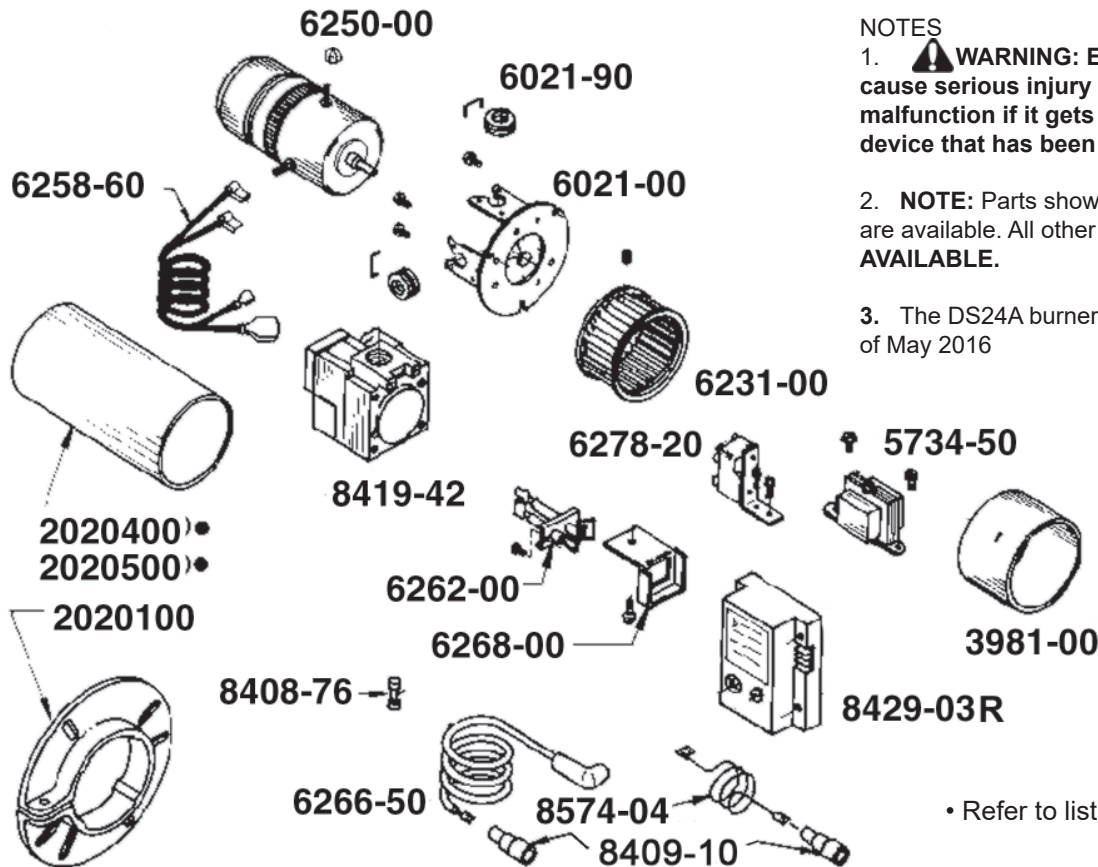
IMPORTANT: Availability of parts as well as specifications are subject to change without notice. Please consult factory for item availability.

As an ISO 9001:2008 certified company, we proudly design, manufacture and assemble our products in Chicago, Illinois, USA.

Quality Designed for Proven Performance

618
8472 06
Printed in USA

Available Parts for - Economite - DS24



NOTES

- WARNING:** Explosion hazard. Can cause serious injury or death. This device can malfunction if it gets wet. Never try to use a device that has been wet -- replace it.
- NOTE:** Parts shown with part numbers are available. All other parts are **NO LONGER AVAILABLE**.
- The DS24A burner are no longer available as of May 2016

• Refer to listing for proper application

| Part # | Description | Part # | Description |
|----------------------|---|-----------------------|---|
| 3981-00 | 4" Dia. Stainless Nozzle Sleeve | 6268-00 | Electrode Mounting Bracket |
| 5734-50 | Transformer 115/1/50-60 Primary, 24V-30VA Secondary (Prod. Unlimited 4000-01M07J232, 4000-01M07K232; Basler BE121630GDD, BE121630GAA) | 6278-20 | Motor Switching Relay - 24 volt (RBM 84-50102-107; Prod. Unlimited 9400-01Q2232) -Formerly MIDCO Part No. 8406-04 |
| 6021-00 | Motor Mounting Bracket | 8408-76 | 3-Amp Type 3AG Glass Fuse 1/4" Dia. x 11/4" LG (M-H Control only) |
| 6021-90 | 3 Rubber Motor Mounts and Clips | 8409-10 | Silicone Boot - may be used on Spark Rod or Flame Sensor |
| 6231-00 | Blower Wheel | 8419-42 | 1/2" 3-Function Redundant Main Valve with Regulator (M-H VR8305M2102) |
| 6250-00 ¹ | Motor with built in centrifugal switch - 120 volt (Universal Electric JA1M069NV#; Fasco 7121-6655) | 8429-03R ² | Electronic Control (M-H S87D1087) |
| 6258-60 | Valve Wire Assembly | 8574-01 | Sensor Wire (order Silicone Boot for Flame Sensor separately) |
| 6262-00 | Electrode Assembly (order Mounting Bracket separately) | 2020100 | 4" Dia. Mounting Flange |
| 6266-50 | High voltage Cable (Fenwal or Honeywell Control) Order Silicone Boot separately | 2020400 | 4" Long Accessory Blast Tube Extension |
| | | 2020500 | 8" Long Accessory Blast Tube Extension |

- Motors featuring permanently lubricated Ball Bearings were used for the first time in production in June, 1985 (date code 2585).
- Both Fenwal 05-16 and Honeywell S87D Electronic Controls have been used in production. Care must be taken in choosing a replacement control, as these **controls ARE NOT PHYSICALLY INTERCHANGEABLE**. The connecting wiring harness to each control is different and no attempt should be made to modify any harness. If the Electronic Control has to be replaced, the replacement must be identical as to the make and model number, or must be an authorized substitute.

EXAMINE THE EXISTING CONTROL ON THE BURNER TO DETERMINE ITS MODEL NUMBER AND MANUFACTURER BEFORE ORDERING FROM THE LISTING ABOVE.

WARNING: EXPLOSION HAZARD. CAN CAUSE SERIOUS INJURY OR DEATH. AN ELECTRONIC DEVICE CAN MALFUNCTION IF IT GETS WET. NEVER TRY TO USE A DEVICE THAT HAS BEEN WET- REPLACE IT

