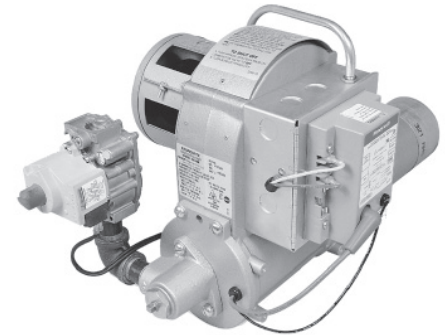


Replacement Parts List

Economite Model DS45

★MADE in the USA★



*Installation and Service Manual -
Discontinued Installation and Service Manual 8470-17
Current Installation and Service Manual 8470-22
Date Code - 2387
(Refer to historical data below)*

- First construction started June 1, 1987 (date code 2387).
- Features a Honeywell DSI Electronic Control Board.
- Supersedes Model DS44 which featured either Fenwal or Honeywell Control Boards. The Model Number DS45 was assigned to alleviate possible confusion in replacing Control Boards on Model DS44. Model DS45 is constructed identical to the Model DS44 with Honeywell Control Board.
- A limited run of burners (approximately 100) were made early in 1987. These burners were identical to current production except that the Installation Manual and PROPANE Conversion Kit featured Lo-Pressure conversion. Burners were built under Bills of Materials 4120200, 4120210 and 4120211. This Lo-Pressure PROPANE feature was discontinued in favor of the more conventional Hi- Pressure PROPANE conversion. For this limited production series, request the discontinued Installation and Service Manual listed above.

Items listed are available replacement parts for this current ECONOMITE model. Unlisted parts are not available.



Midco® International Inc.
4140 West Victoria Street
Chicago, Illinois 60646
toll free 866.705.0514
tel 773.604.8700
fax 866.580.8700
web www.midcointernational.com
e-mail sales@midcointernational.com

AVOID ERROR IN PARTS SELECTION. When ordering use complete MIDCO Part Number and Description. Furnish Burner Model Number, Bill of Material Number and Serial Number (if available) from the specification plate found on the product.

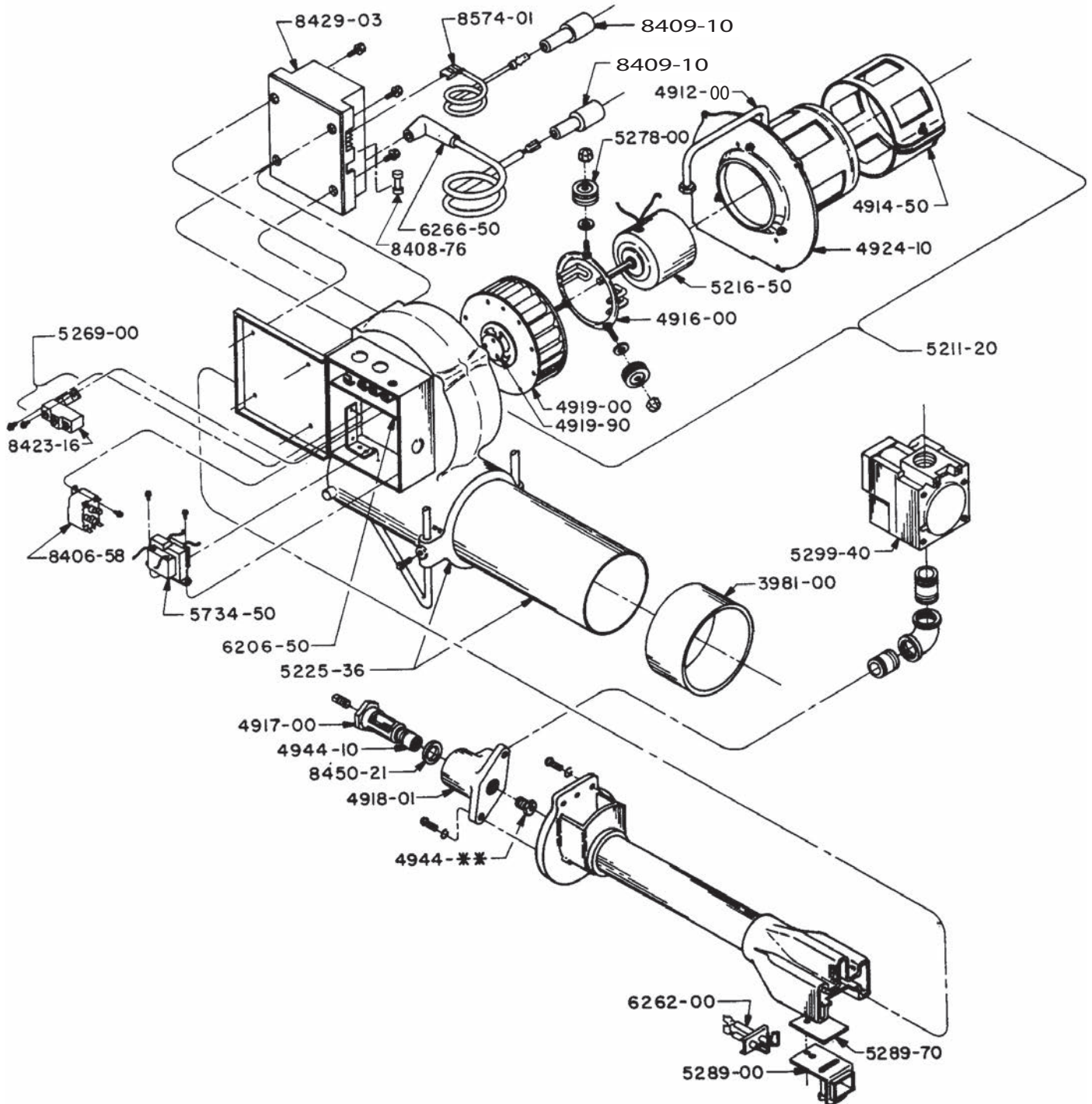
IMPORTANT: Availability of parts as well as specifications are subject to change without notice. Please consult factory for item availability.

As an ISO 9001:2008 certified company, we proudly design, manufacture and assemble our products in Chicago, Illinois, USA.

Quality Designed for Proven Performance

1018
8472 08
Printed in USA

Exploded View DS45



** Refer to listing for proper application

Parts List - DS45

Part #	Description	Item	Part #	Description	Qty
3981-00	4" Dia. Stainless Nozzle Sleeve	5734-50		Transformer 115/1/50-60 Primary, 24V-30VA	
4912-00	Motor Conduit with hardware			Secondary (Prod. Unlimited 4000-01M07J232,	
4914-50	External Air Shutter			4000-01M07K232; Basler BE121630GDD,	
4916-00	Motor Mounting Ring less Rubber Mounts and Nuts			BE121630GAA)	
4917-00	Main Orifice Holder	6206-50		Terminal Strip only	
4918-01	Orifice Elbow (3/4" NPT)	6262-00		Electrode Assembly (order Mounting Bracket and	
4919-00	Blower Wheel complete with Centrifugal Actuator and Disc			Gasket separately)	
4919-90	Centrifugal Actuator Disc	6266-50		Hi-Voltage Cable (order Silicone Boot for Spark	
4924-10	Inlet Side Plate			Electrode separately)	
4944-01	Main Spud 11/32 Drill (.343)	8406-58		Motor Switching Relay - 24 volt (Prod. Unlimited	
	minimum capacity - NATURAL			9400-01Q2232)	
4944-02	Main Spud - 25/64 Drill (.390)	8408-76		3-Amp type 3AG Glass Fuse - 1/4" Dia. x 11/4" LG	
	maximum capacity - NATURAL	8409-10		Silicone Boot - may be used on Flame Sensor or	
4944-03	Main Spud #21 Drill (.159)			Spark Electrode - Orange	
	minimum capacity - PROPANE - Drill for desired	8418-06* 1		PROPANE Regulator Head Kit for Honeywell	
	capacity per manual			VR8450 Valve Series (11.0" W.C.)	
4944-10	Main Spud Extension(s)	8419-49		PROPANE Regulator Head Kit for Honeywell	
				VR8305 Valve Series (11.0" W.C.)	
5211-20	Motor Wheel, Side Plate and	8423-16		Blower Interlock Switch (Micro BZ2RQ174-A2)	
	Cage Assembly - 120/1/60	8429-032		DSI Electronic Control (M-H S87D1087)	
5216-50	Motor less Mounting Ring and Rubber Mounts	8450-21		Orifice Holder Sealing Gasket	
	120/1/60 (Universal Electric JB2P048N#;	8470-17* 1		Installation and Service Manual (Discontinued - see	
	Fasco 7163-7511)			page 1)	
5225-36	Blower Housing and Blast Tube Assembly	8470-22*		Installation and Service Manual	
5269-00	Blower Interlock Switch with Bracket	8574-01		Sensor Wire (order Silicone Boot for Flame Sensor	
5278-00	3 Rubber Mounts and Nuts			separately)	
5289-00	Electrode Mounting Bracket	2020100*		4" Dia. Mounting Flange	
5289-70	Electrode Mounting Bracket Gasket	2020400*		4" Long Accessory Blast Tube Extension	
5299-40 ³	Combination Valve Replacement Kit	2020500*		8" Long Accessory Blast Tube Extension	

* NOT ILLUSTRATED

NOTES

1. Refer to Historical Information on page 1.
2. **⚠ WARNING: EXPLOSION HAZARD. CAN CAUSE SERIOUS INJURY OR DEATH. AN ELECTRONIC DEVICE CAN MALFUNCTION IF IT GETS WET. NEVER TRY TO USE A DEVICE THAT HAS BEEN WET - REPLACE IT.**
3. Honeywell discontinued production of VR8450 valves. This kit includes a combination gas valve, wire harness to retrofit existing burners.

Parts List - DS 45



★ MADE in the USA ★

As an ISO 9001:2008 certified company, we proudly design, manufacture and assemble our products in Chicago, Illinois, USA.

Midco® International Inc. - 4140 West Victoria Street - Chicago, Illinois 60646 - toll free: 866 705 0514
tel: 773.604.8700 - fax: 866.580.8700 - web: www.midcointernational.com - e-mail: sales@midcointernational.com

