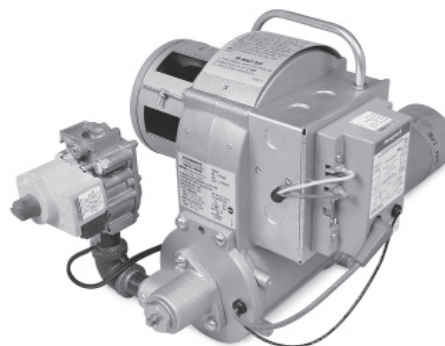


Replacement Parts List

Economite Model DS45B Conversion Burners



★MADE in the USA★

*Installation and Service Manual - 8470-72
Date Code -*

- First construction started May 30, 1993 (date code 2293).
- Features a Honeywell DSI Electronic Control Board.
- Supersedes Model DS45. Model DS45B was assigned to alleviate possible confusion replacing gas valves.



Midco®
INTERNATIONAL

Midco® International Inc.
4140 West Victoria Street
Chicago, Illinois 60646
toll free 866.705.0514
tel 773.604.8700
fax 866.580.8700
web www.midcointernational.com
e-mail sales@midcointernational.com

AVOID ERROR IN PARTS SELECTION. When ordering use complete MIDCO Part Number and Description. Furnish Burner Model Number, Bill of Material Number and Serial Number (if available) from the specification plate found on the product.

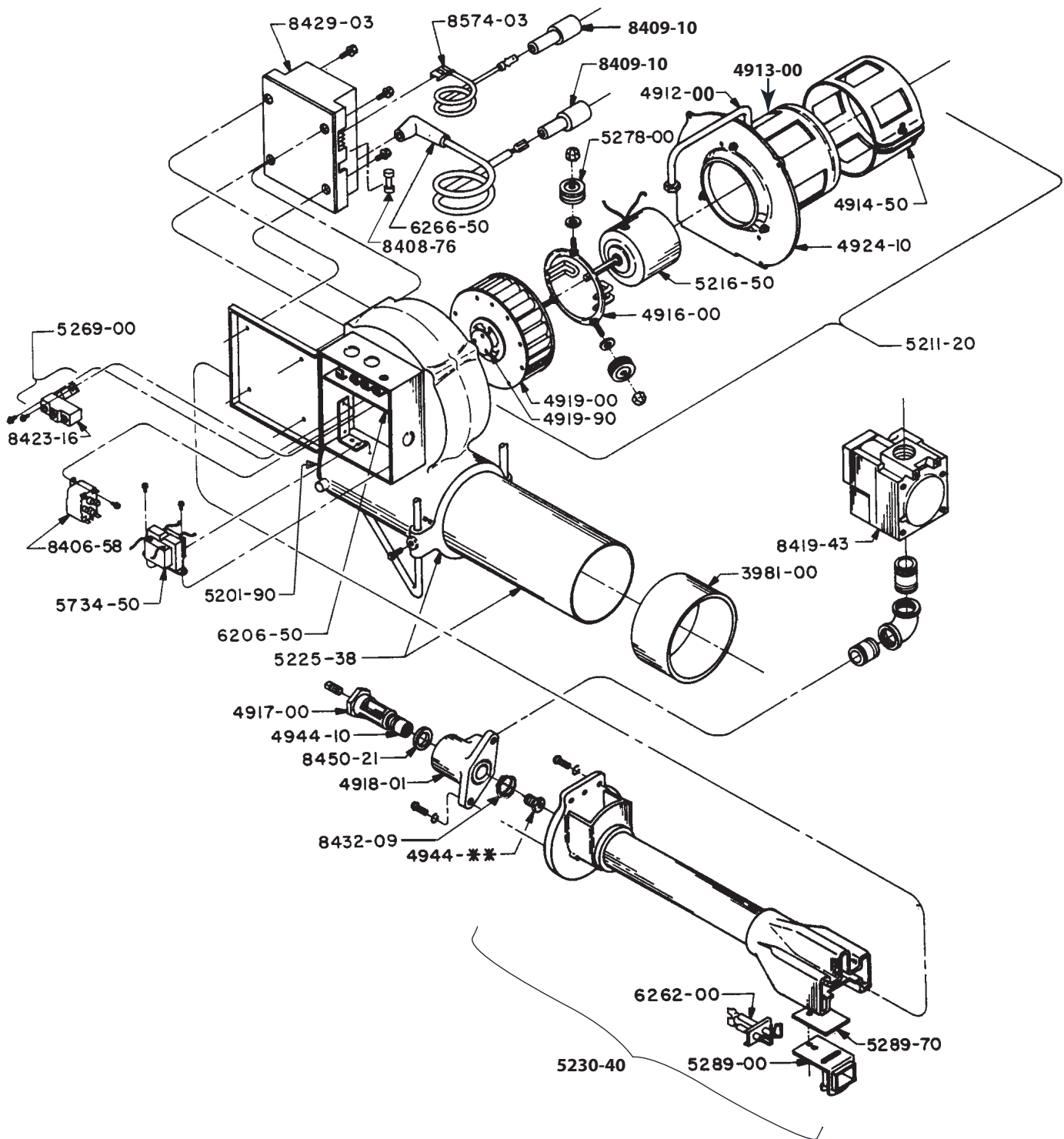
IMPORTANT: Availability of parts as well as specifications are subject to change without notice. Please consult factory for item availability.

As an ISO 9001:2008 certified company, we proudly design, manufacture and assemble our products in Chicago, Illinois, USA.

Quality Designed for Proven Performance

517
8472 58
Printed in USA

Exploded View DS45B




Component layout may not be as shown
 ** Refer to listing for proper application.

Parts List DS45B

Item	Part #	Description	Item	Part #	Description
3981-00		4" Dia. Stainless Nozzle Sleeve	5292-00 *		DS45B Valve Wire Assembly
4912-00		Motor Conduit with hardware	5734-50		Transformer 115/1/50-60 Primary, 24V-30VA Secondary (Prod. Unlimited 4000-01M07J232, 4000-01M07K232; Basler BE121630GDD, BE121630GAA)
4913-00		Air Cage Weldment	6215-70		Terminal Strip only
4914-50		External Air Shutter	6262-00		Electrode Assembly (order Mounting Bracket and Gasket separately)
4916-00		Motor Mounting Ring less Rubber Mounts and Nuts	6266-50		Hi-Voltage Cable (order Silicone Boot for Spark Electrode separately)
4917-00		Main Orifice Holder	8406-58		Motor Switching Relay-24V (Prod Unlimited 9400-01Q2232)
4918-01		Orifice Elbow (3/4" NPT)	8408-76		3-Amp type 3AG Glass Fuse-1/4" Dia. X 1 1/4" LG
4919-00		Blower Wheel complete with Centrifugal Actuator and Disc	8409-10		Silicone Boot - Orange
4919-90		Centrifugal Actuator Disc	8419-43 ¹		3/4" 3-Function Redundant Main Valve with Regulator (M-H VR8305M4009)
4924-10		Inlet Side Plate	8423-16		Blower Interlock Switch (Micro BZ2RQ174-A2)
4944-01		Main Spud 11/32 Drill (.343) minimum capacity-NATURAL	8429-03 ¹		DSI Electronic Control (M-H S87D1087)
4944-02		Main Spud 25/64 Drill (.390) maximum capacity-NATURAL	8432-09		O-Ring Seal
4944-10		Main Spud Extension(s)	8450-21		Orifice Holder Sealing Gasket
5201-90		400-Series Rubber Seal Strip	8470-72 *		Installation and Service Manual
5211-20		Motor Wheel, Side Plate and Cage Assembly-120/1/60	8574-03		Sensor Wire (order Silicone Boot for Flame Sensor separately)
5216-50		Motor less Mounting Ring and Rubber Mounts 120/1/60 (Universal Electric JB2P048N#; Fasco 7163-7511)	2032000 *		DS45B PROPANE Kit
5225-38		Blower Housing and Blast Tube Assembly	2020100 *		4" Dia. Mounting Flange
5230-40		DS45B Cartridge Assembly	2020400 *		4" Long Accessory Blast Tube Extension
5269-00		Blower Interlock Switch with Bracket	2020500 *		8" Long Accessory Blast Tube Extension
5278-00		3 Rubber Mounts and Nuts			
5289-00		Electrode Mounting Bracket			
5289-70		Electrode Mounting Bracket Gasket			

* Not illustrated

- ¹  **WARNING:** Explosion hazard. Can cause serious injury or death. An electronic device can malfunction if it gets wet. Never try to use a device that has been wet-replace it.

DS45B Parts List

★ **MADE** in the **USA** ★

As an ISO 9001:2008 certified company, we proudly design, manufacture and assemble our products in Chicago, Illinois, USA.



Midco® International Inc. - 4140 West Victoria Street - Chicago, Illinois 60646 - toll free: 866 705 0514
tel: 773.604.8700 - fax: 866.580.8700 - web: www.midcointernational.com - e-mail: sales@midcointernational.com



517
8472 58
Printed in USA