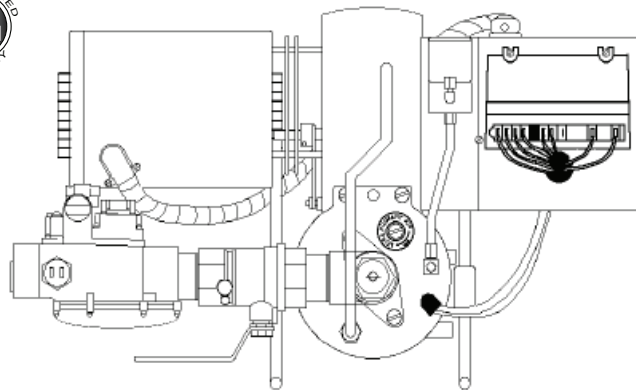


# Replacement Parts List Economite Model F400B-33



*Installation and Service Manual - 8470-73  
Date Code - 1594*

- First production April 1994 (date code 1594).
- For manufacturing dates and manual availability, refer to historical data below and on page 3



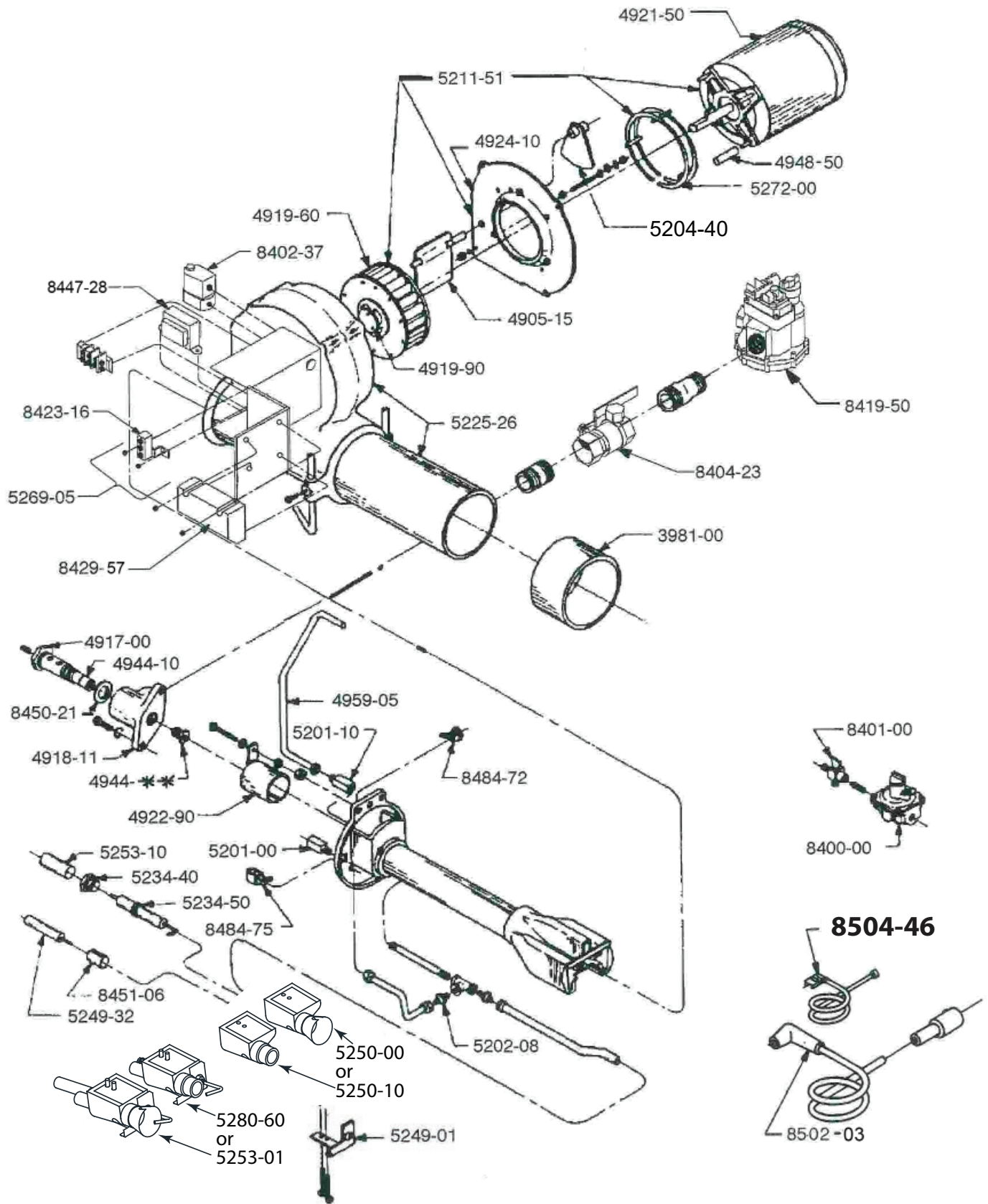
Midco®  
INTERNATIONAL

Midco® International Inc.  
4140 West Victoria Street  
Chicago, Illinois 60646  
toll free 866.705.0514  
tel 773.604.8700  
fax 773.604.4070  
web [www.midcointernational.com](http://www.midcointernational.com)  
e-mail [sales@midcointernational.com](mailto:sales@midcointernational.com)

**AVOID ERROR IN PARTS SELECTION.** When ordering use complete MIDCO Part Number and Description. Furnish Burner Model Number, Bill of Material Number and Serial Number (if available) from the specification plate found on the product.

**IMPORTANT:** Availability of parts as well as specifications are subject to change without notice. Please consult factory for item availability.

# Exploded View - Economite F400B-33



# Parts List - Economite F400B-33

Item	Part #	Description	Qty	Item	Part #	Description	Qty
3981-00		4" Diameter Stainless Sleeve		5253-10		PVC Tubing—7/16" I.D. x 2" long	
4905-15		Air Shutter—Internal		5269-05		Blower Interlock Switch (MICRO Switch) with Bracket	
4917-00		Main Orifice Holder		5272-00		Blower Inlet Grille	
4918-11		Orifice Elbow (1"NPT)		5280-60		Pilot Assembly with Ring Tip, Insulators, Rods, Temflex and Baffle	
4919-60		Blower Wheel with Centrifugal Actuator and Disc		8447-28		Transformer Assembly 120/1/60 24V-40VA	
4919-90		Centrifugal Actuator Disc		8400-00		1/8" NPT Pilot Regulator—1 PSI maximum inlet (Maxitrol RV12)	
4921-50		1/6 HP Motor		8401-00		1/8" NPT Pilot "B" Cock	
4922-90		Primary Air Shutter Kit		8402-37		1/8" NPT Pilot Solenoid 24/1/60	
4924-10		Inlet Side Plate		8404-23		1" Ball Valve with side tap	
4944-02		Main Spud 25/64" drill (.390) minimum capacity—NATURAL—drill 7/16" (.437) for 400/540 MBH range and omit for 540/700 range		8406-58*		Power Relay	
4944-07		Main Spud #9 drill (.196) minimum capacity PROPANE—drill for desired capacity per manual		8406-69*		Motor Relay Single Pole 24V-14AMP (O.E.M. only)	
4944-10		Main Spud Extension		8419-50 <sup>1</sup>		1" Redundant Combination/Pilot Valve (Robert Shaw)	
4948-50		Motor Spacer (4 required)		8423-16		Blower Interlock Switch (MICRO BZ-2RQ174-A2)	
4959-05		External Pilot Air Tube Kit		8429-57 <sup>1</sup>		Electronic Control (M-H S8670J)	
5201-00		1/2" sq. Pass Thru for 1/4" Tube Fitting (gas line)		8447-22*		Ignitor Spark Generator	
5201-10		1/2" sq. Pass Thru for 5/16" Tube Fitting (air line)		8470-73*		Installation and Service manual	
5201-90*		400 Rubber Seal Strips		8450-21		Orifice Holder Sealing Gasket	
5204-40		Quadrant—Air Shutter Adjustment		8451-06		Spark Rod Insulator sleeve	
5202-08		Pilot Spud #55 (.052) Drill [was #54 (.055)]—NATURAL and PROPANE		8484-72		Heyco Strain Relief (SR-4K-1)—Flame Rod Wire	
5211-51		Motor, Wheel and Side Plate Assembly 120/1/60		8484-75		Heyco Strain Relief (SR-11-2)—Spark Rod Wire	
5212-20*		Cartridge Assembly		8502-03		Wire Assembly	
5214-20*		Cartridge Assembly (O.E.M. Thermo-cycler)		8509-05*		Spark Cable (O.E.M. Thermo-cycler)	
5225-26		Blower Housing and Burner Tube Assembly		8504-46		Flame Rod Wire Assembly 19"	
5234-40		Flamerod Gland Nut		2020100*		4" Mounting Flange	
5234-50		Flamerod Assembly		2020400*		4" long Accessory Blast Tube Extension	
5247-70*		F400B-33 Spark Transformer Parts Kit		2020500*		8" long Accessory Blast Tube Extension	
5249-01		Pilot Air Baffle		2030302*		Kit to convert NATURAL burner to PROPANE; includes minimum spud to be drilled per manual, Pilot Regulator Spring, Propane Regulator Head and Instructions.	
5249-32		Spark Rod Assembly					
5250-00		Pilot Body with Cone Tip, less Insulators, Rods, Temflex and Baffle					
5250-10		Pilot Body with Ring Tip, less Insulators, Rods, Temflex and Baffle					
5253-01		Pilot Assembly with Cone Tip, Insulators, Rods, Temflex and Baffle					

\* Not Shown

## NOTES

1. **WARNING:** Explosion hazard. Can cause serious injury or death. This device can malfunction if it gets wet. Never try to use a device that has been wet—replace it.

