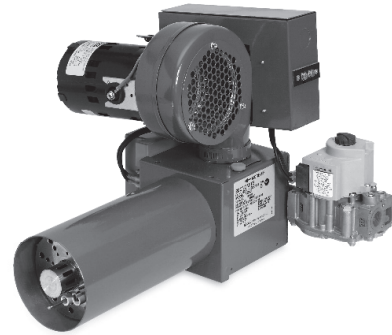


# Replacement Parts List

## Economite Model RS40 Available Parts for RS40

The RS40 Series Gas burner has been discontinued as of August 2013. Call the manufacturer for current availability of parts.

★MADE in the USA★



Installation and Service Manual - 8471-09  
Date Code - October 1998

The Economite RS40 model is Obsolete



Midco<sup>®</sup>  
INTERNATIONAL

Midco<sup>®</sup> International Inc.  
4140 West Victoria Street  
Chicago, Illinois 60646  
toll free 866.705.0514  
tel 773.604.8700  
fax 866.580.8700  
web [www.midcointernational.com](http://www.midcointernational.com)  
e-mail [sales@midcointernational.com](mailto:sales@midcointernational.com)

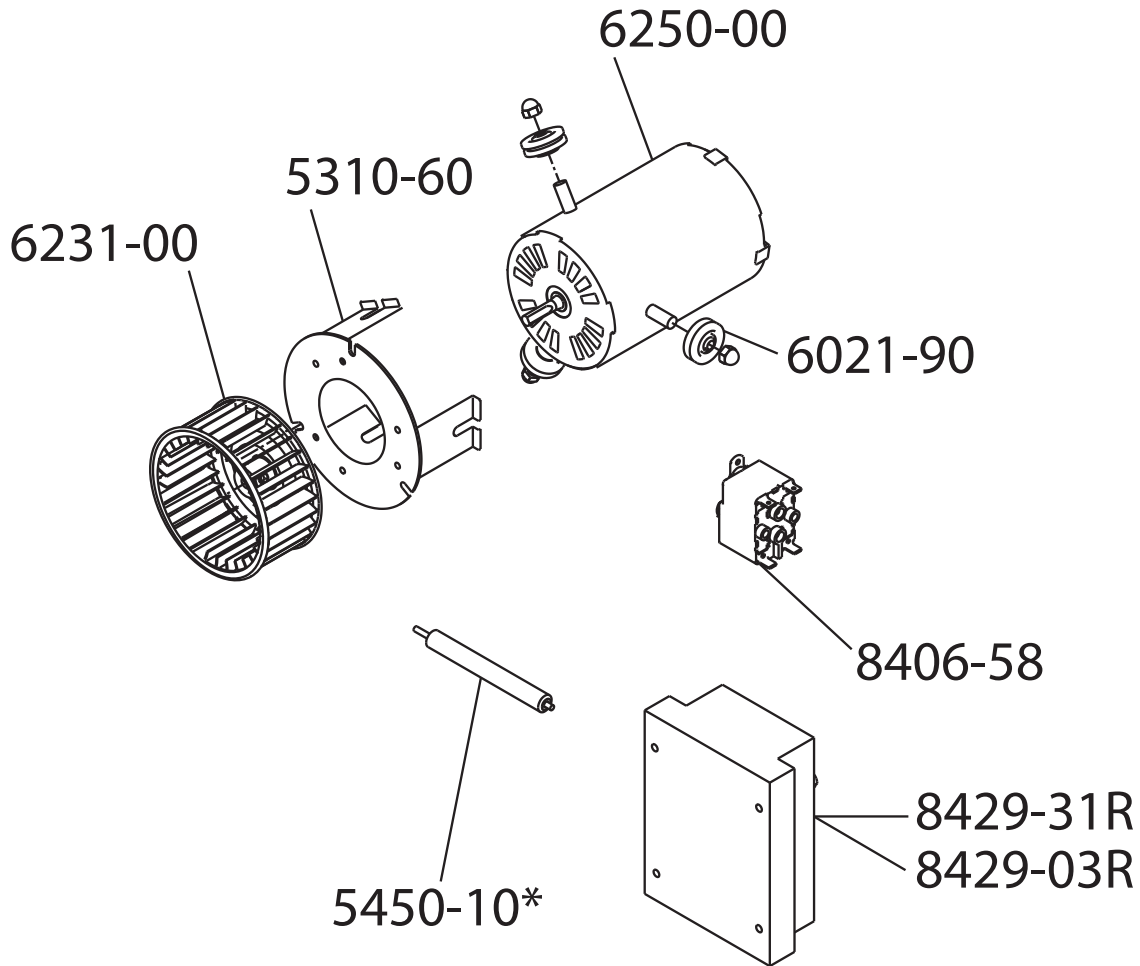
**AVOID ERROR IN PARTS SELECTION.** When ordering use complete MIDCO Part Number and Description. Furnish Burner Model Number, Bill of Material Number and Serial Number (if available) from the specification plate found on the product.

**IMPORTANT:** Availability of parts as well as specifications are subject to change without notice. Please consult factory for item availability.

*As an ISO 9001:2008 certified company, we proudly design, manufacture and assemble our products in Chicago, Illinois, USA.*

*Quality Designed for Proven Performance*

# Economite RS40 Available Parts



## Available parts for the RS40

Part #	Description	Qty
5310-60	RS 40 MTR MNT RVTMT	1
5450-10 *	SENSE ELECTD ASSM RS SER	1
6021-90	3 RUBBER MOTOR MOUNT	3
6231-00	BLO WHL	1
6250-00	SH-P MTR / SW / TOP / B-BRNGS	1
8406-58	SP RLY 24V - 3A	1
8429-03R	S87D DSI CNTRLR	1
8429-31R	S87K DSI CNTRLR	1

\* Available until stock runs out

## NOTES

1. **⚠ WARNING:** Explosion hazard. Can cause serious injury or death. This device can malfunction if it gets wet. Never try to use a device that has been wet -- replace it.

2. **NOTE:** Parts shown with part numbers are available. All other parts are NO LONGER AVAILABLE.



**Midco**  
INTERNATIONAL

★ MADE in the USA ★

As an ISO 9001:2008 certified company, we proudly design, manufacture and assemble our products in Chicago, Illinois, USA.

Midco® International Inc. - 4140 West Victoria Street - Chicago, Illinois 60646 - toll free: 866 705 0514  
tel: 773.604.8700 - fax: 866.580.8700 - web: [www.midcointernational.com](http://www.midcointernational.com) - e-mail: [sales@midcointernational.com](mailto:sales@midcointernational.com)