

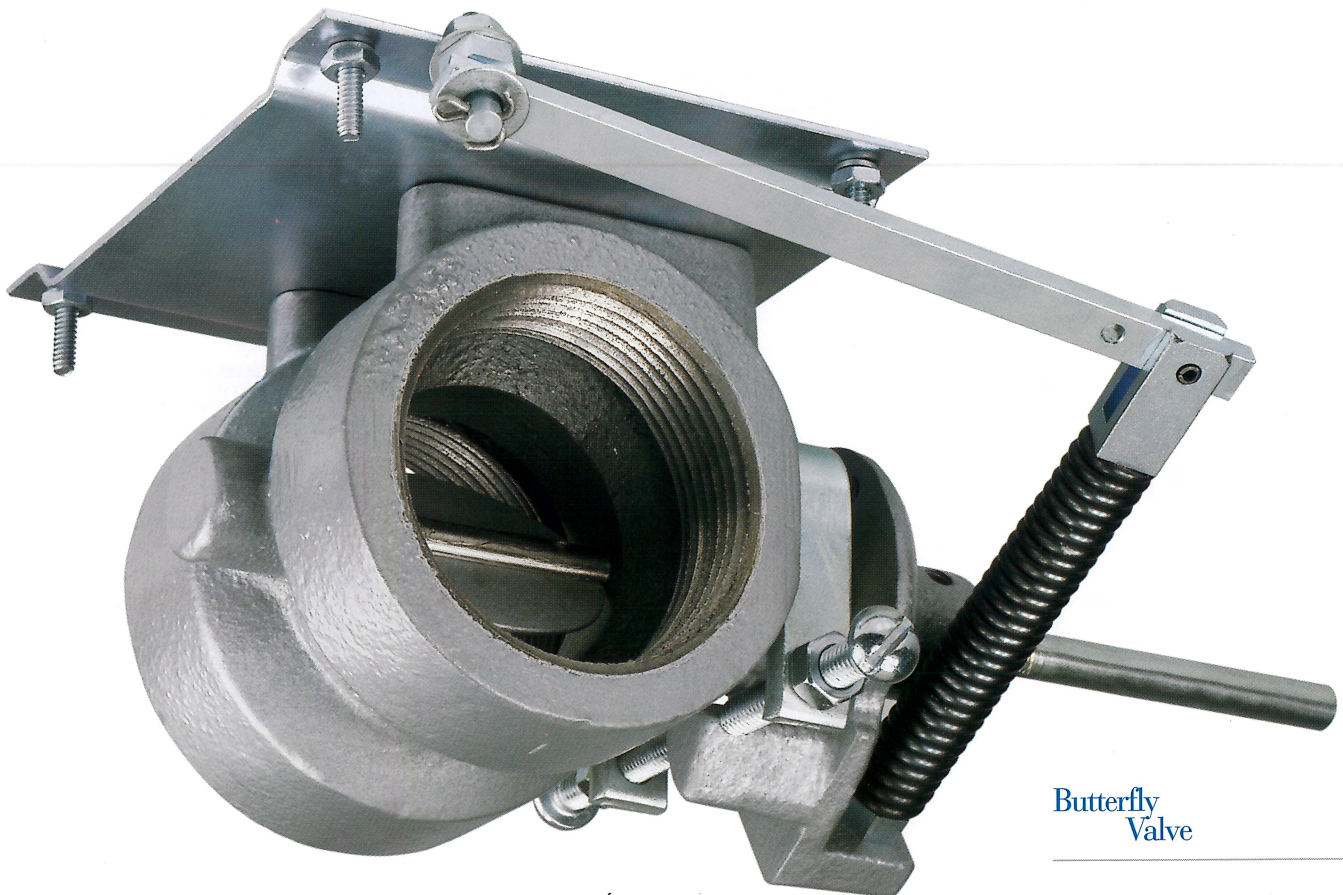


Midco®
INTERNATIONAL

Butterfly Valve

Low Pressure Drop Valve

The Midco Butterfly Valve is a low pressure drop valve suitable for control of either air or gas flow up to 5 PSI pressure. A unique spring over-run feature is used on all valves. Either manual or motorized valves are available in pipe sizes from 1" through 4".



Butterfly
Valve

Features

1" to 4" Pipe Size

Capacities to 20,000 C.F.H. Natural Gas

All Sizes Component Recognized
By Underwriters Laboratory

Streamlined But Restricted Throat—to allow sensitive control of capacities normally used for given pipe size

90° Closing Valve To Allow Ease of Synchronization With Shutters Using Suitable Linkage

Handles Air or All Gases Up To 5 PSI

Not Affected By Sulphur

Designed For Use With Honeywell or Penn-Johnson Modulating Motors

Ease of Adjustment Permitted By Spring Over-run Feature. Upper and lower limits set by stop screws regardless of motor stroke—no involved linkage adjustments necessary

Easy to Read Valve Position Indicator

Low Pressure Drop Valve

Temperature Rated -40°F to 250°F

Specifications

Model Number	Valve Size N.P.T.	Capacity* in C.F.H. 65 Sp. G. at 0.3" W.C. Drop	A	B	C
MBF-100	1	800	2 ¹⁵ / ₁₆	1 ³ / ₈	1 ⁷ / ₈
MBF-125	1 ¹ / ₄	1,300	2 ¹⁵ / ₁₆	1 ³ / ₈	1 ³ / ₄
MBF-150	1 ¹ / ₂	1,850	2 ¹⁵ / ₁₆	1 ³ / ₈	1 ³ / ₄
MBF-200	2	3,100	2 ¹⁵ / ₁₆	1 ⁹ / ₁₆	2 ¹ / ₂
MBF-250	2 ¹ / ₂	5,350	3 ³ / ₄	1 ¹³ / ₁₆	2 ¹ / ₂
MBF-300	3	9,100	4	2 ³ / ₁₆	2 ¹ / ₂
MBF-400	4	20,000	4 ⁷ / ₈	2 ³ / ₄	3 ¹ / ₄

*For air, multiply capacities by 0.8
For Propane gas, multiply capacities by 1.62

*Low pressure drop valve
suitable for control of air or gas.*



Midco[®]
INTERNATIONAL

Midco International Inc.
4140 West Victoria Street
Chicago, Illinois 60646
tel 773.604.8700
fax 773.604.4070
web www.midco-intl.com

Butterfly Valve Assembly

