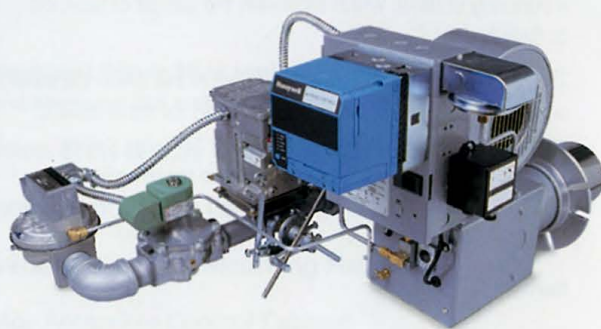




Midco®
INTERNATIONAL

Unipower G-Series Unipower GB-Series Power Gas Burners



Unipower G-Series

Unipower GB-Series

Power Gas Burners

Like its big brother A-Series, the Unipower G-Series is designed with modular assembly techniques that enable Midco to custom design a burner to fit your needs at a mass production price. Special burners with two-step or full modulating control, special safety controls, I.R.I., F.M., become economic realities.

Four basic models covering a wide range of capacities from 300 to 2,500 MBH, make the G-Series adaptable to most medium-sized heating applications.

Extremely compact design makes the G-Series burner easier and more economical to install. In fact, it is smaller than any other burner available of similar capacity. Small firing tube diameter makes conversion from oil particularly simple.

At the heart of the G-Series burner's efficiency is an innovative new design featuring an exclusive flame retention plate, precision engineered to thoroughly mix fuel gas and combustion air for unexcelled combustion efficiency. The flame retention plate creates a tight ring of flame which eliminates the danger of blow-off or flash-back.

The low-maintenance spark ignited pilot works under the most adverse conditions, making it ideally suited for more difficult applications such as downdraft boilers or furnaces, ceiling suspended furnaces and units with severe space restrictions.

Quiet, high-speed blowers provide the precise amount of combustion air necessary for efficient combustion. Combustion efficiency doesn't depend on unreliable, variable flue drafts. The burner provides a steady, efficient flame regardless of natural draft conditions.

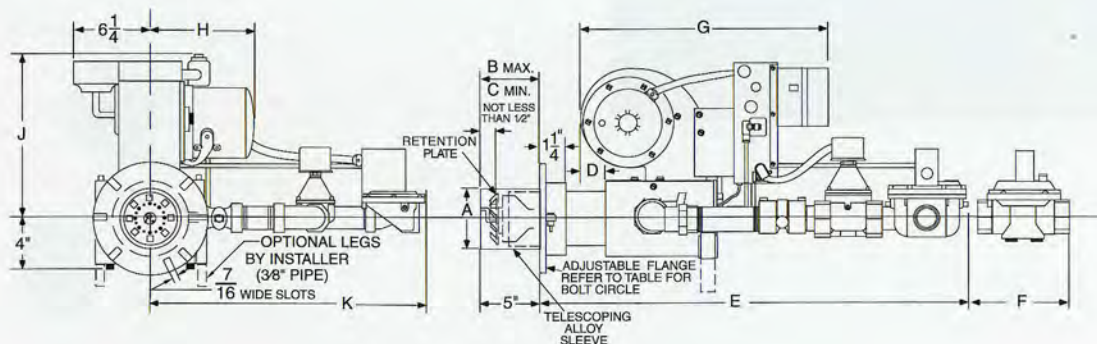
Unipower G-Series burners are equipped with an electronic microprocessor based flame safeguard employing the flame rectification system of flame detection. A completely safe start and run control sequence is provided with instantaneous response to presence or loss of flame.

Unipower GB-Series burners are equipped with a 24 volt electronic flame safeguard employing the flame rectification of flame detection. The GB-Series uses 24 volt valves and controls which are smaller than 120 volt controls but will allow use of the 120 volt operating controls if needed.

Each Unipower G-Series burner is shipped completely assembled and is fire-tested at the factory to assure reliable operation. The Unipower G-Series burner is listed with Underwriter's Laboratories in the United States and Canada.

*Modular assembly engineering
enables custom designs
at mass production costs.*

Burners





Unipower G-Series and
Unipower GB-Series

All Unipower G-Series burners are shipped fully assembled and factory tested with the following equipment:

Redundant Main Gas Valves

Main and Pilot Gas Pressure Regulators with Manual Shut-Off Valves (shipped loose)

Diaphragm Air Switch For Proof of Blower Operation (differential diaphragm air switch on Canadian versions)

Silent Multivane Blower and Motor Assembly



Intermittent Spark Pilot Ignition
(optional interrupted pilot available on G-Series only)

Stainless Steel Nozzle Construction

Burner Manifold Test Cock

Universal Adjustable Mounting Flange

Service Accessible Control Cabinet

Specifications

Model Number Natural 1000 BTU/cu.ft.	Model Number Propane 2500 BTU/cu.ft.	Maximum Input Rating*	Inlet Gas Pressure Required Natural/Propane	Minimum Input Rating*	Motor Horsepower	Shipping Weight
G56(B)	G56(B)P	1,075,000	5" W.C. / 5" W.C.	300,000	1/6	95 lbs.
G57(B)	G57(B)P	1,500,000	7" W.C. / 6" W.C.	300,000	1/3	105 lbs.
G58(B)	G58(B)P	1,850,000	6.7" W.C. / 6" W.C.	500,000	1/2	130 lbs.
G69(B)	G69(B)P	2,500,000	7.5" W.C. / 8" W.C.	800,000	3/4	140 lbs.

*BTU/HR

Specifications G-Series Only

Model Number	Firing Rate*		Req'd Inlet Gas Pressure	Gas Conn. NPT Size	Motor H.P.	Flange Bolt Circle		Dimensions**									
	Max.	Min.				Max.	Min.	A	B	C	D	E	F	G	H	J	K
G56	1,075,000	300,000	5" W.C.	1 1/4	1/6	8 1/8	6 3/8	5 1/2	10 1/8	5	1 1/4	22 1/4	5 1/2	22 3/4	9 1/2	14 1/8	20 1/2
G57	1,500,000	300,000	7" W.C.	1 1/2	1/3	8 1/8	6 3/8	5 1/2	10 1/8	5	1 1/4	25 1/4	7	22 3/4	11 1/2	14 1/8	21 1/2
G58	1,850,000	500,000	6.7" W.C.	2	1/2	8 1/8	6 3/8	5 1/2	10 1/8	5	2 3/16	30	9 1/8	24	12 1/2	16 1/4	24 1/2
G69	2,500,000	800,000	7.5" W.C.	2	3/4	8 1/8	7 1/8	6 1/8	8 9/16	5	2 3/16	30	9 1/8	24	12 1/2	16 1/4	24 1/2

*BTU/HR

Specifications GB-Series Only

Model Number	Firing Rate*		Req'd Inlet Gas Pressure	Gas Conn. NPT Size	Motor H.P.	Flange Bolt Circle		Dimensions**									
	Max.	Min.				Max.	Min.	A	B	C	D	E	F	G	H	J	K
G56B	1,075,000	300,000	5" W.C.	1 1/4	1/6	8 1/8	6 3/8	5 1/2	10 1/8	5	1 1/4	22 1/4	5 1/2	16 3/4	9 1/2	14 1/8	13 3/4
G57B	1,500,000	300,000	7" W.C.	1 1/2	1/3	8 1/8	6 3/8	5 1/2	10 1/8	5	1 1/4	25 1/4	7	16 3/4	11 1/2	14 1/8	13 3/4
G58B	1,850,000	500,000	6.7" W.C.	2	1/2	8 1/8	6 3/8	5 1/2	10 1/8	5	2 3/16	30	9 1/8	18 1/2	12 1/2	16 1/4	16 3/8
G69B	2,500,000	800,000	7.5" W.C.	2	3/4	8 1/8	7 1/8	6 1/8	8 9/16	5	2 3/16	30	9 1/8	18 1/2	12 1/2	16 1/4	16 3/8

*BTU/HR



Midco[®]
INTERNATIONAL

Midco International Inc.
#140 West Victoria Street
Chicago, Illinois 60646
tel 773.604.8700
fax 773.604.4070
web
www.midcointernational.com

G-Series Features

Microprocessor Based Flame Safeguard Control
Complete 120V System

Options:

- Hi/Low Gas Pressure Switches
- Thermal Switch (incinerator use)
- 120V/240V Motor (1 phase) G69 Standard, G56, G57 and G58 Optional

Available Operation:

- On/Off
- Hi/Low/Off
- Full Modulation

GB-Series Features

24V Electronic Control Module

24V Valves

Allows Use of 120V Operating Controls

Options:

- Hi/Low Gas Pressure Switches
- Thermal Switch (incinerator use)
- 120V/240V Motor (1 phase) G69B Standard, G56B, G57B and G58B Optional

Available Operation:

- On/Off

