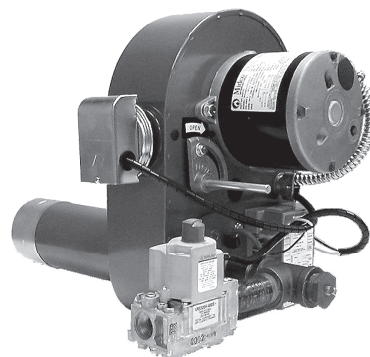




Midco®  
INTERNATIONAL

# Replacement Parts

## List Model Economite RE4400DS & RE4400DSA



Installation and Service Manual - 8471-25  
Date Code - 1801

- First construction Date: May 2001
- Spark rod electrode assembly position and part number change date: November 2001
- Fenwal F-35-60 added as alternative direct spark ignition controller: October 2021



**Midco**®  
INTERNATIONAL

**Midco International Inc.**  
4140 West Victoria Street  
Chicago, Illinois 60646  
toll free 866.705.0514  
tel 773.604.8700  
fax 866.580.8700  
web [www.midcointernational.com](http://www.midcointernational.com)  
e-mail [sales@midcointernational.com](mailto:sales@midcointernational.com)

**AVOID ERROR IN PARTS SELECTION.** When ordering use complete EmberGlo Part Number and Description. Furnish Model Number, Bill of Material Number and Serial Number (if available) from the specification plate found on the product.

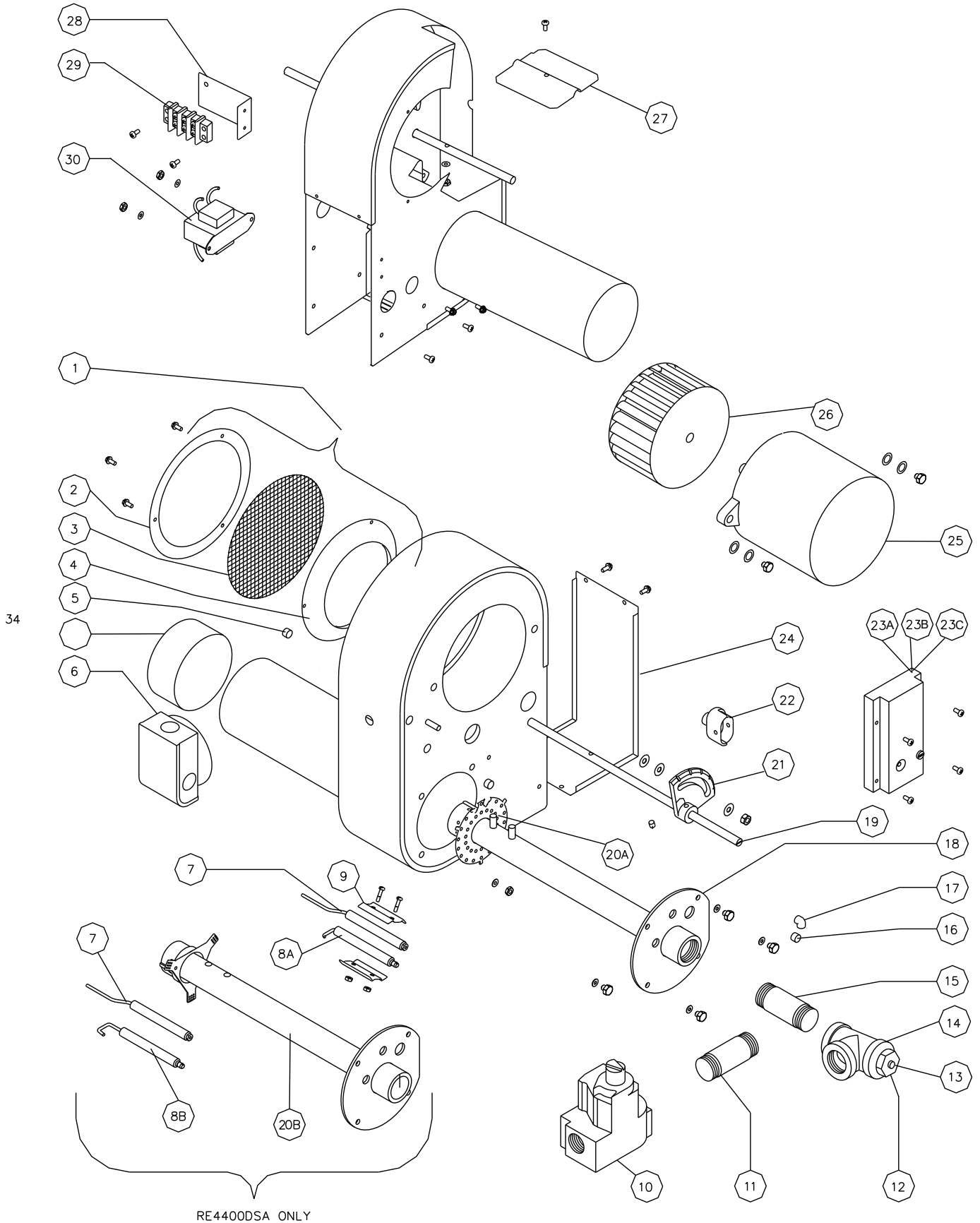
**IMPORTANT:** Availability of parts as well as specifications are subject to change without notice.



*Quality Designed for Proven Performance*

1121  
8472 75  
Printed in USA

# RE4400DS & RE4400DSA Exploded View



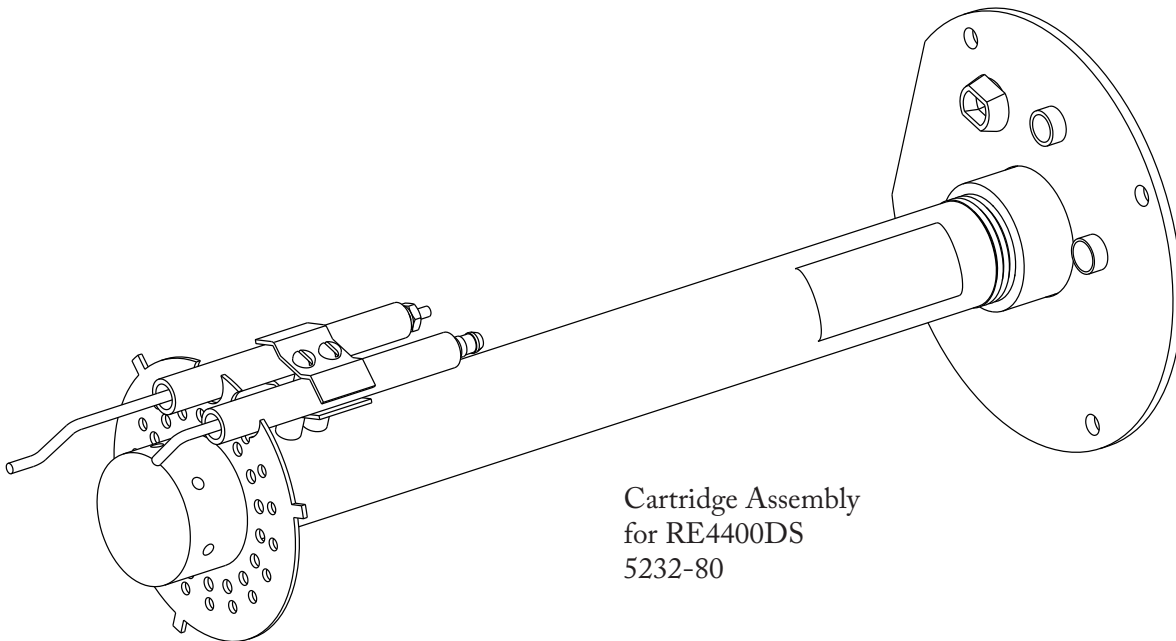
# RE4400DS & RE4400DSA Parts List

Item	Part #	Description	Qty	Item	Part #	Description	Qty
1	5230-91	Housing Assembly (includes #2,3 &4)	1	26	8437-52	Blower Wheel	1
2	5230-57	Front Ring	1	27	5230-55	Air Shutter	1
3	5230-59	Air Screen	1	28	5231-56	Terminal Strip Bracket	1
4	5230-58	Air Inlet Collar	1	29	8408-78	3 Position Barrier Terminal Strip	1
5	8450-19	Nylon Insulator	1	30	5231-57	Transformer Assembly	1
6	8425-19	Air Switch	1	31	Orifices	Orifices - See Pg 4 for Complete List	1
7	5230-84	Flame Rod Assembly	1	32	8416-53	7/8" X 32" 1/8" Spring	1
8A	6418-12	Spark Electrode Assembly for RE4400DS	1	33	3981-00	4" Diameter Stainless Steel Sleeve	1
8B	6418-05	Spark Electrode Assembly for RE4400DSA	1				
9	5232-25	Flame Rod Bracket	1			<b>Not Shown</b>	
10 <sup>1</sup>	8419-75	Gas Valve, Slow Opening	1	8504-60	Spark Wire Assembly		1
11	8488-04	3/4" X 3" NPL Reducing Nipple	1	8504-46	19" Flame Rod Wire Assembly		1
12	8492-71	1" X 1/8" Hex Bushing	1	8484-72	Strain Relief Bushing		1
13	8496-00	1/8" Pipe Plug	1	8480-15	Reducing Washer		1
14	8494-07	3/4" Tee, Black Malleable	1	8480-01	3/8" Bx, 9" Long		1
15	8488-52	1" X 2" Long Nipple	1	8457-40	Snap Bushing		1
16	8452-32	7/16" Window Plug and Dome Plug	2	8457-41	Strain Relief Bushing		1
17	8484-75	Strain Relief 90 Degree	1	8457-38	Plastic Plug for .875" Dia Hole		1
18	5230-88	Back Plate Weldment	1	8457-37	Plastic Plug for 1.1" Dia Hole		1
19	5230-61	Shutter Shaft	1	8457-36	Dome Plug		1
20A	5232-79	Burner Head Weldment for RE4400DS	1	7400-01	Grounding Wire 2" Green		1
20B	5232-21	Burner Head Weldment for RE4400DSA	1	5205-30	3 Term Block Label		1
21	3152-15	Quadrant	1	8452-16	Mounting Flange with Gasket		1
22	8480-11	3/8" Box Duplex Connector	1	8452-48	Gasket Only (For Mounting Flange)		1
23A <sup>1</sup>	8429-31R	Electronic Control (M-H S87K - 30 Sec. Prepurge)	1	3252-00	Open Label		1
23B <sup>1</sup>	8429-03R	Electronic Control (M-H S87D)	1			<b>Sub-Assemblies Available (See Page 4)</b>	
23C <sup>1</sup>	8429-05	Electronic Control (F-35-60)	1	5232-80	Cartridge Assembly (DS)		1
24	5230-56	Blower Housing Door	1	5232-20	Cartridge Assembly (DSA)		1
25	8437-54	1/6 Hp Motor 115/60	1				

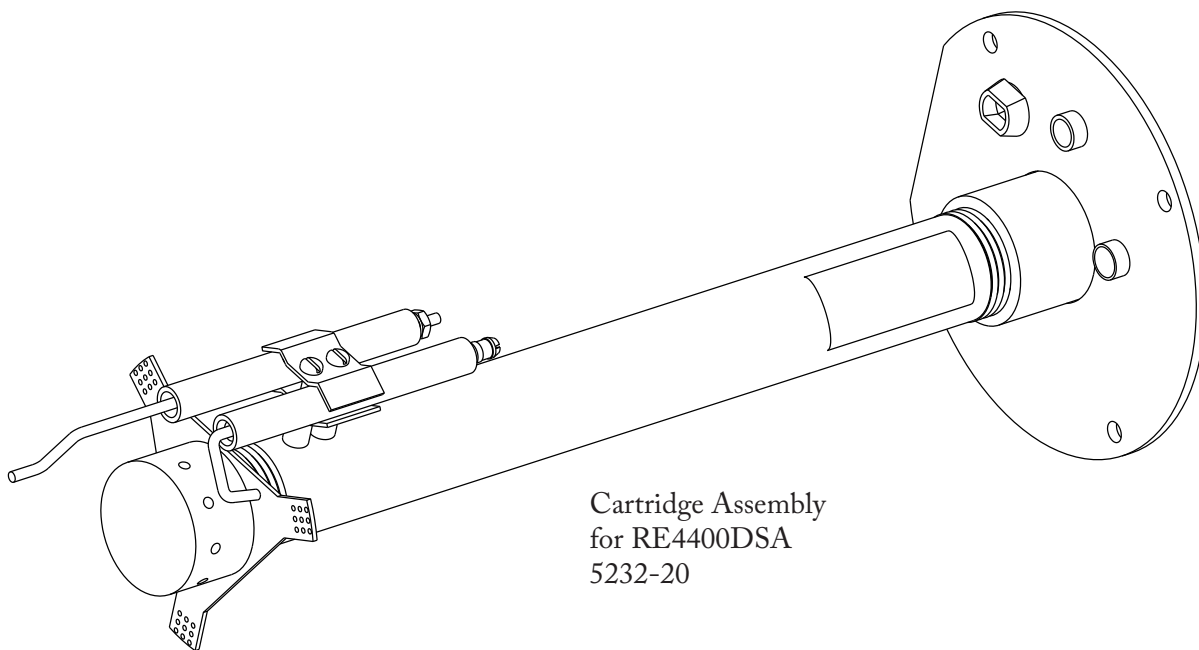
## NOTES

<sup>1</sup> **WARNING: Explosion hazard. Can cause serious injury or death. This device can malfunction if gets wet. Never try to use a device that has been wet -- replace it.**

# RE4400DS & RE4400DSA Sub-Assemblies



Cartridge Assembly  
for RE4400DS  
5232-80



Cartridge Assembly  
for RE4400DSA  
5232-20

Midco International has used a number of orifices to restrict the flow of fuel. To properly select the correct orifice contact the factory.

#### List of Main Gas Orifices

Part #	Dia. (in inches)	Stamp #
5230-23	.290	B
5230-24	.261	C
5230-26	.219	E
5230-31	.358	J

