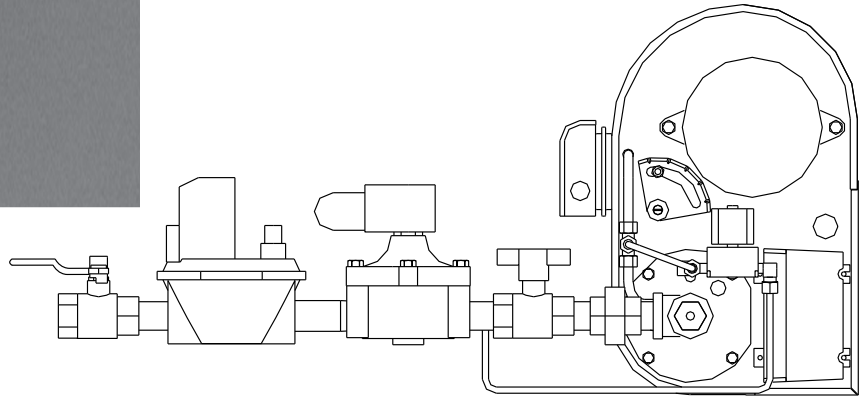


# Replacement Parts List

## Economite Model RE4850BA

★ MADE in the USA ★



*Installation and Service Manual - 8471-24*

*Date Code - May 2001 (Date Code 18-01)*



Midco<sup>®</sup>  
INTERNATIONAL

Midco<sup>®</sup> International Inc.  
4140 West Victoria Street  
Chicago, Illinois 60646  
toll free 866.705.0514  
tel 773.604.8700  
fax 866.580.8700  
web [www.midcointernational.com](http://www.midcointernational.com)  
e-mail [sales@midcointernational.com](mailto:sales@midcointernational.com)

**AVOID ERROR IN PARTS SELECTION.** When ordering use complete MIDCO Part Number and Description. Furnish Burner Model Number, Bill of Material Number and Serial Number (if available) from the specification plate found on the product.

**IMPORTANT:** Availability of parts as well as specifications are subject to change without notice. Please consult factory for item availability.

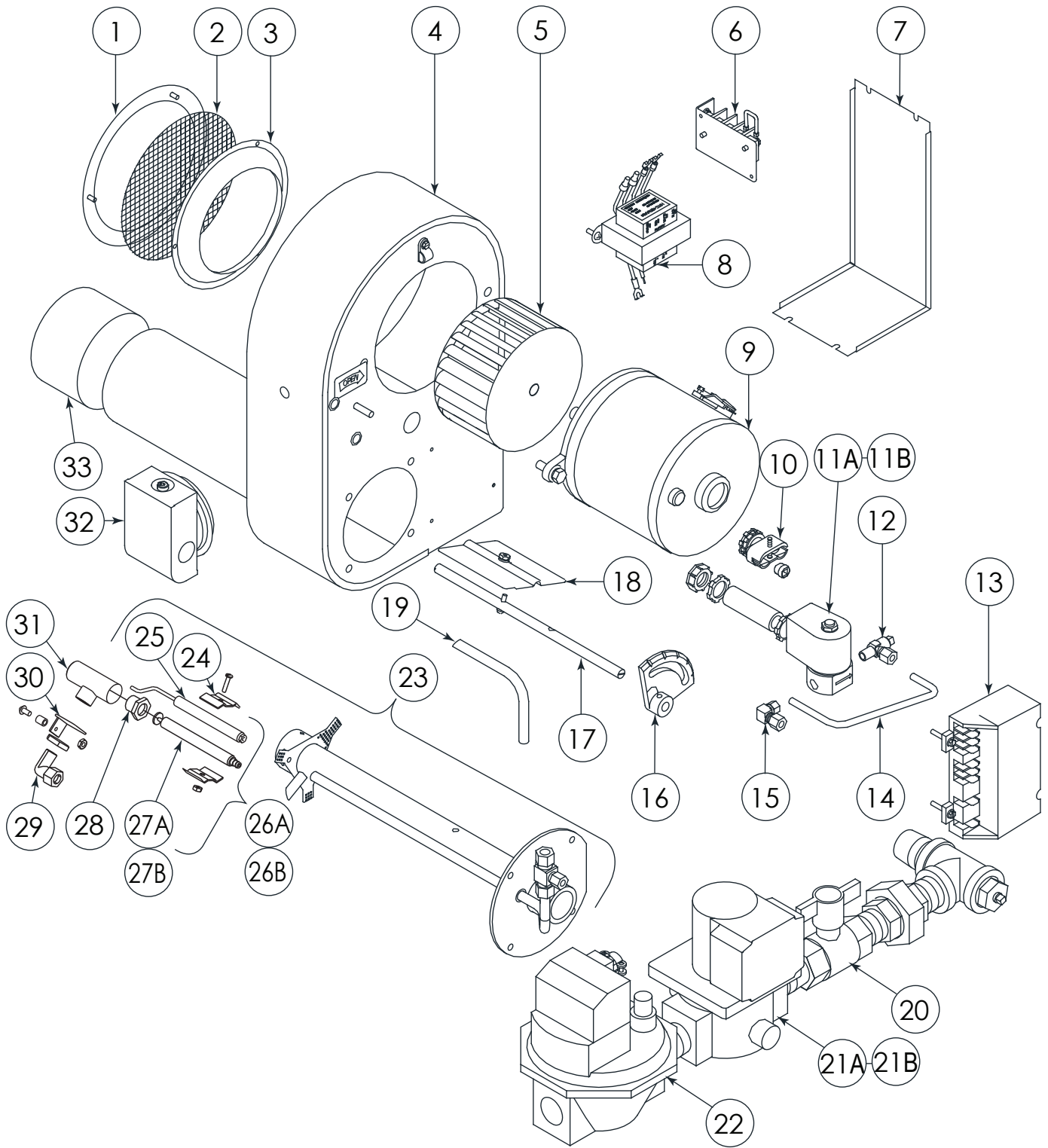


*As an ISO 9001:2008 certified company, we proudly design, manufacture and assemble our products in Chicago, Illinois, USA.*

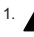
*Quality Designed for Proven Performance*

721  
8472-78  
Printed in USA

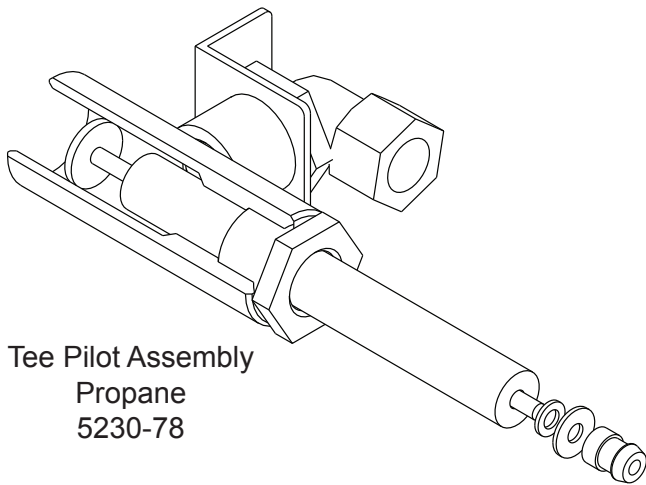
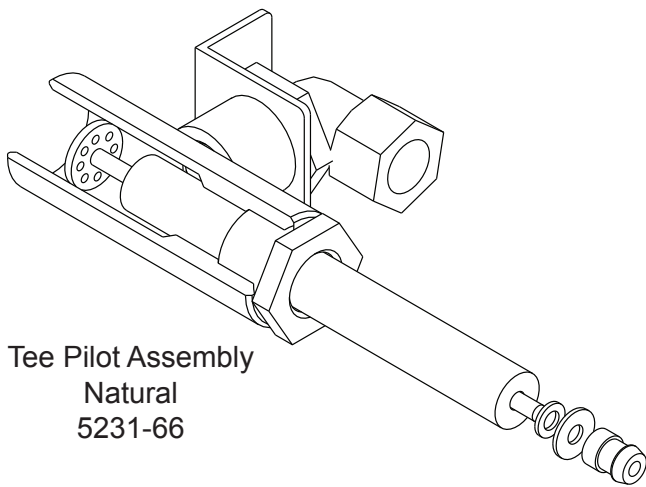
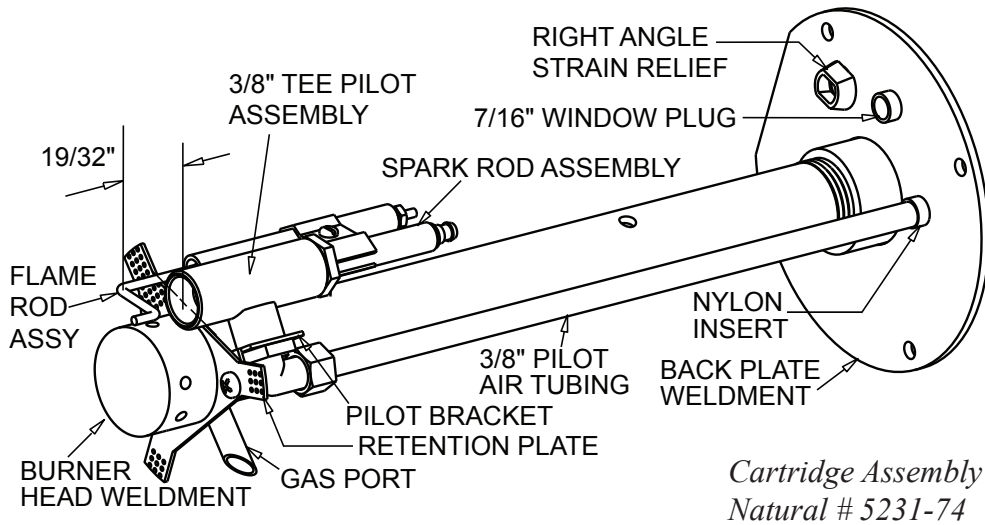
# Exploded View RE4850BA



# Parts List RE4850BA

Item	Part #	Description	Qty	Item	Part #	Description	Qty
1	5230-57	Front Ring	1	<b>Not Shown</b>			
2	5230-59	Air Screen	1	3185-50	Natural B Cock Assembly		
3	5230-58	Air Entrance	1	5230-27	Main Gas Orifice (.422) - F		
4	5230-91	Housing Assembly (Green)	1	5230-28	Main Gas Orifice (.500) - G		
5	8437-52	5.24" Dia X 2.81" Blower Wheel C.W.	1	5230-29	Main Gas Orifice (.563) - H		
6	5230-64	Terminal Strip Bracket Assembly	1	5230-30	Main Gas Orifice (.688) - I		
7	5230-56	Housing Door (Green)	1	5230-31	Main Gas Orifice (.358) - J		
8	5231-57	Transformer Assembly	1	5230-99	Pilot Air Orifice		
9	8437-54	1/6 HP Motor 115/230V 50/60 Hz	1	5231-54	Pilot Gas Orifice		
10	8480-11	3/8" Box Duplex Connector	1	8404-67	1" Ball Valve without Side Tap		
11A	8402-37	1/8" NPT Solenoid Valve, 24V	1	8416-53	Regulator Spring 7/8" Id X 3-1/8" Lg		
11B	8402-51	1/8" NPT, Asco Pilot Solenoid Valve, 24 Volt	1	8452-16	Adjust Mounting Flange 4"		
12	8483-18	1/8M X 1/4T X 1/8F Comp Tee	1	8504-46	Flame Rod Wire Assembly - 19"		
13	8429-57 <sup>1</sup>	Ignition Controller - S8670J3002	1	8504-50	Spark Wire Assembly		
14	5232-01	1/4" Pilot Valve to Brass Tee Tubing	1	<b>Manual</b>			
15	8483-00	1/8" M X 1/4" T Comp Elbow	1	8471-24			
16	3152-01	Quadrant	1	<b>Sub-Assemblies Available</b>			
17	6734-01	Air Shutter Shaft	1	<b>(See page 4)</b>			
18	5230-55	Air Shutter	1	5231-66	Pilot Assembly Natural Gas		
19	5231-53	3/8" Air Inlet Pilot Tubing	1	5230-78	Pilot Assembly Propane Gas		
20	8404-29	1" NPT T-Handle Ball Valve	1	For Propane conversion kit consult the factory			
21A	8402-36 <sup>1</sup>	1" Solenoid Valve 24V	1	<b>NOTES</b>			
21B	8402-57	1" NPT,Asco Main Solenoid Valve, 24 Volt	1	1.  <b>WARNING:</b> Explosion hazard. Can cause serious injury or death. This device can malfunction if it gets wet. Never try to use a device that has been wet -- replace it.			
22	8419-68 <sup>1</sup>	1" NPT 2-Way Comb Diaphragm Valve 24V	1				
23	5231-74	Burner Cartridge Assembly Natural	1				
24	5230-86	Flame Rod Bracket	2				
25	5230-84	Flame Rod Assembly	1				
26A	5231-66	3/8" Tee Pilot Assembly Natural	1				
26B	5230-78	3/8" Tee Pilot Assembly Propane	1				
27A	5231-99	Spark Rod - Natural	1				
27B	5230-80	Spark Rod - Propane	1				
28	5230-79	3/8" x 1/4" Blk Malleable Hex Bushing	1				
29	8483-55	1/4"M x 3/8"T-Elbow Brass Tube Fitting	1				
30	5230-82	Pilot Bracket	1				
31	5230-67	Pilot Body Weldment	1				
32	8425-19	Blower Air Switch	1				
33	3981-00	4" Diameter Stainless Steel Sleeve	1				

# Sub-Assemblies RE4850BA



Midco International has used a number of orifices to restrict the flow of fuel. To properly select the correct orifice contact the factory.

### List of Main Gas Orifices

Part #	Dia. (in inches)	Stamp #
5230-23	.290	B
5230-27	.422	F
5230-28	.500	G
5230-29	.563	H
5230-30	.688	I
5230-31	.358	J

★MADE in the USA★

As an ISO 9001:2008 certified company, we proudly design, manufacture and assemble our products in Chicago, Illinois, USA.

Midco® International Inc. - 4140 West Victoria Street - Chicago, Illinois 60646 - toll free: 866 705 0514  
tel: 773.604.8700 - fax: 866.580.8700 - web: www.midcointernational.com - e-mail: sales@midcointernational.com



721  
8472-78  
Printed in USA