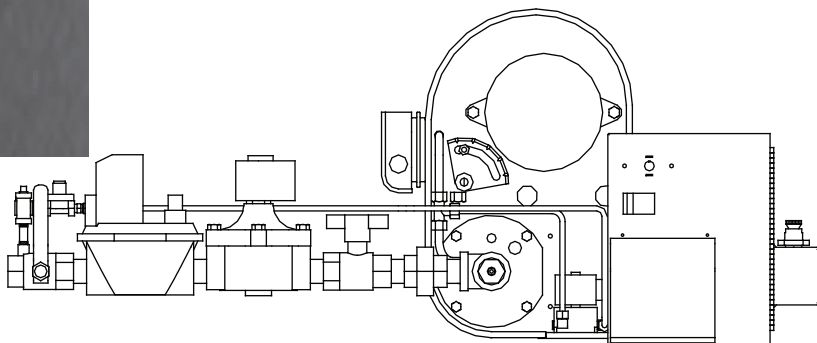


Replacement Parts List

Economite
Model RE4850A



Installation and Service Manual - 8471-20

Date Code - 1501

Date of first production - 4/13/2001



Midco[®]
INTERNATIONAL

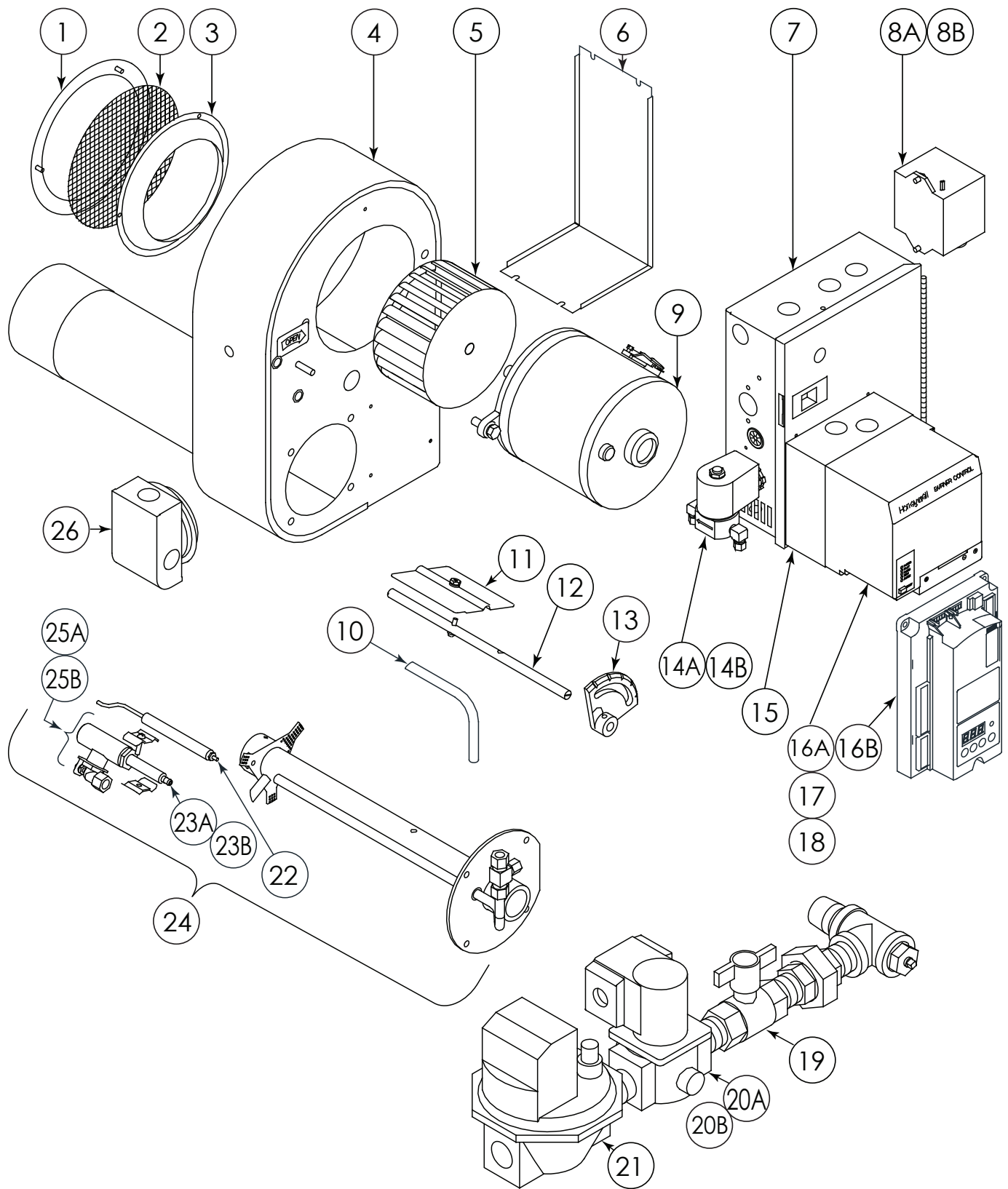
Midco[®] International Inc.
4140 West Victoria Street
Chicago, Illinois 60646
toll free 866.705.0514
tel 773.604.8700
fax 866.580.8700
web www.midcointernational.com
e-mail sales@midcointernational.com

AVOID ERROR IN PARTS SELECTION. When ordering use complete MIDCO Part Number and Description. Furnish Burner Model Number, Bill of Material Number and Serial Number (if available) from the specification plate found on the product.

IMPORTANT: Availability of parts as well as specifications are subject to change without notice. Please consult factory for item availability.



Exploded View RE4850A



Parts List RE4850A

Item	Part #	Description	Qty	Item	Part #	Description	Qty
1	5230-57	Front Ring	1	24	5233-64	Burner Cartridge Assembly Natural	1
2	5230-59	Air Screen	1	25A	5231-66	3/8" Tee Pilot Assembly Natural	1
3	5230-58	Air Entrance	1	25B	5230-78	3/8" Tee Pilot Assembly Propane	1
4	5230-91	Housing Assembly (Green)	1	26	8425-19	Blower Air Switch	1
5	8437-52	5.24" Dia X 2.81" Blower Wheel C.W.	1	Not Shown			
6	5230-56	Housing Door (Green)	1	3185-50	Natural B Cock Assembly		
7	5232-70	RE4850 120V Fm Cabinet Assembly	1	5230-27	Main Gas Orifice (.422) - F		
8A	8447-22	Ignitor Spark Generator (Honeywell)	1	5230-28	Main Gas Orifice (.500) - G		
8B	8447-39R	Ignitor Transformer (Allanson)	1	5230-29	Main Gas Orifice (.563) - H		
9	8437-54	1/6 HP Motor 115/230V 50/60 Hz	1	5230-30	Main Gas Orifice (.688) - I		
10	5231-53	3/8" Air Inlet Pilot Tubing	1	5230-31	Main Gas Orifice (.358) - J		
11	5230-55	Air Shutter	1	5230-99	Pilot Air Orifice		
12	6734-01	Air Shutter Shaft	1	5231-54	Pilot Gas Orifice		
13	3152-01	Quadrant	1	8404-67	1" Ball Valve without Side Tap		
14A	8402-00	1/8" NPT Solenoid Valve, 120V (Honeywell)	1	8416-53	Regulator Spring 7/8" ID x 3-1/8" Lg		
14B	8402-50	1/8" NPT Solenoid Valve, 120V (Asco)	1	8452-16	Adjust Mounting Flange 4"		
15	8429-16	Q7800B Sub-Base	1	8504-46	Flame Rod Wire Assembly - 19"		
16A	8429-19 ¹	RM7895A Controller	1	8505-34	Spark Wire Assembly RE4850A		
16B	8429-69	Siemens Controller	1				
17	8429-22	ST7800A1039 30-Second Timer	1				
18	8429-27	R7847A Rect Amplifier	1				
19	8404-29	1" NPT T-Handle Ball Valve	1				
20A	8418-03 ¹	1" NPT Gas Valve with Bottom Taps (Honeywell)	1				
20B	8402-58	1" NPT Gas Valve with Bottom Taps (Asco)	1				
21	8419-24 ¹	1" 2-Way Combination Diaphragm Valve 120V	1				
22	5230-84	Flame Rod Assembly	1				
23A	5231-99	Spark Rod - Natural	1				
23B	5230-80	Spark Rod - Propane	1				

Manual

8471-20 Installation and Service Manual

Sub-Assemblies Available


(See page 4)

5231-66 Pilot Assembly Natural Gas

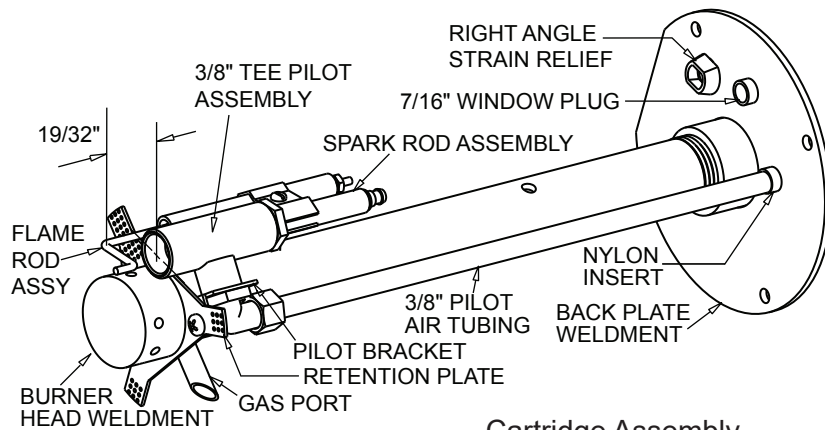
5230-78 Pilot Assembly Propane Gas

For Propane conversion kit consult the factory

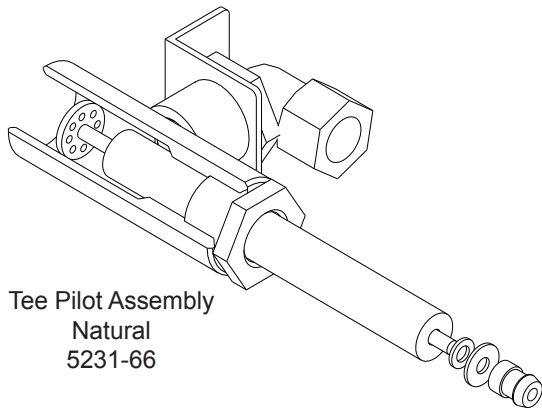
NOTES

¹.  **WARNING:** Explosion hazard. Can cause serious injury or death. This device can malfunction if gets wet. Never try to use a device that has been wet -- replace it.

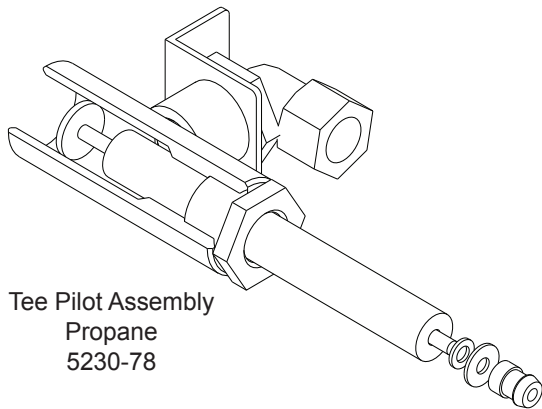
Sub-Assemblies RE4850A



Cartridge Assembly
Natural # 5233-64



Tee Pilot Assembly
Natural
5231-66



Tee Pilot Assembly
Propane
5230-78

Midco International has used a number of orifices to restrict the flow of fuel. To properly select the correct orifice contact the factory.

List of Main Gas Orifices

Part #	Dia (inches)	Stamp #
5230-27	.422	F
5230-28	.500	G
5230-29	.563	H
5230-30	.688	I
5230-31	.358	J

