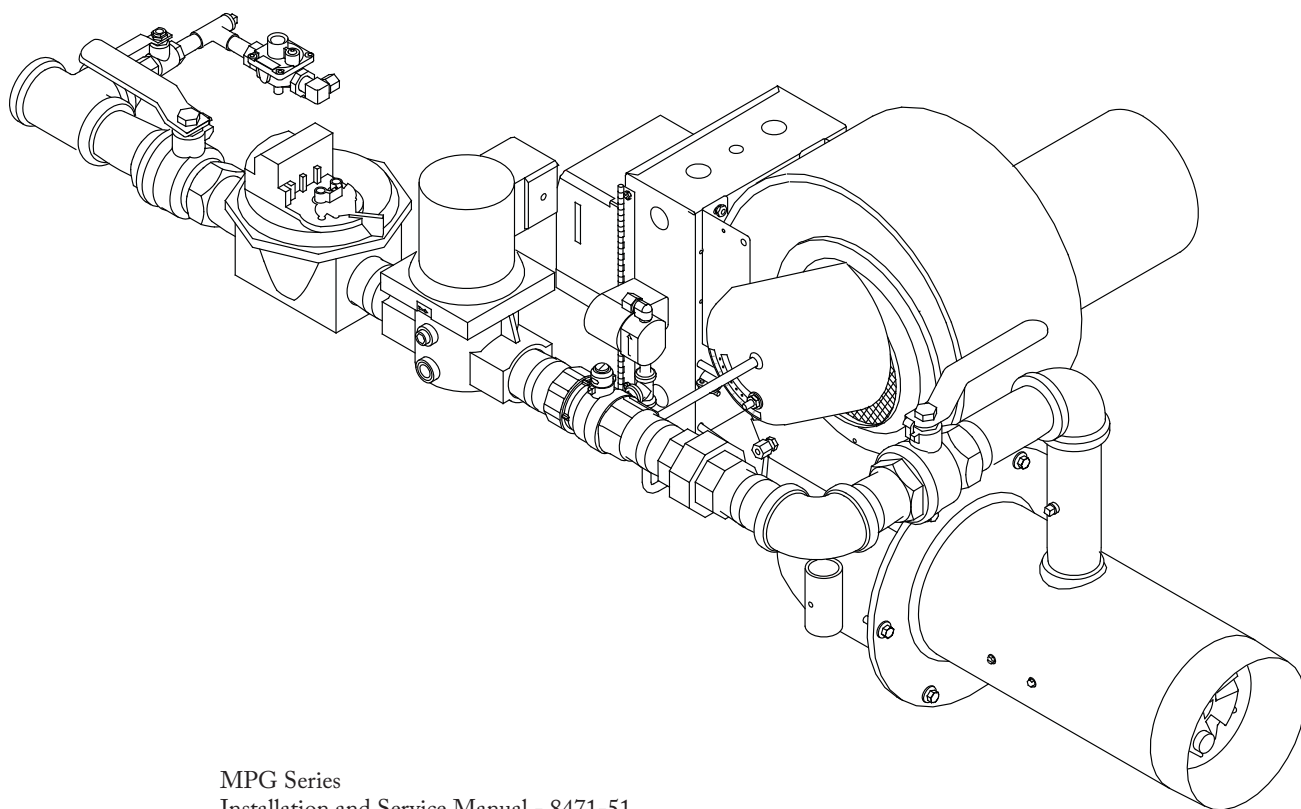


# Replacement Parts List

## Unipower MPG 1.5G and MPG 2.5G

★MADE in the USA★



MPG Series  
Installation and Service Manual - 8471-51



Midco®  
INTERNATIONAL

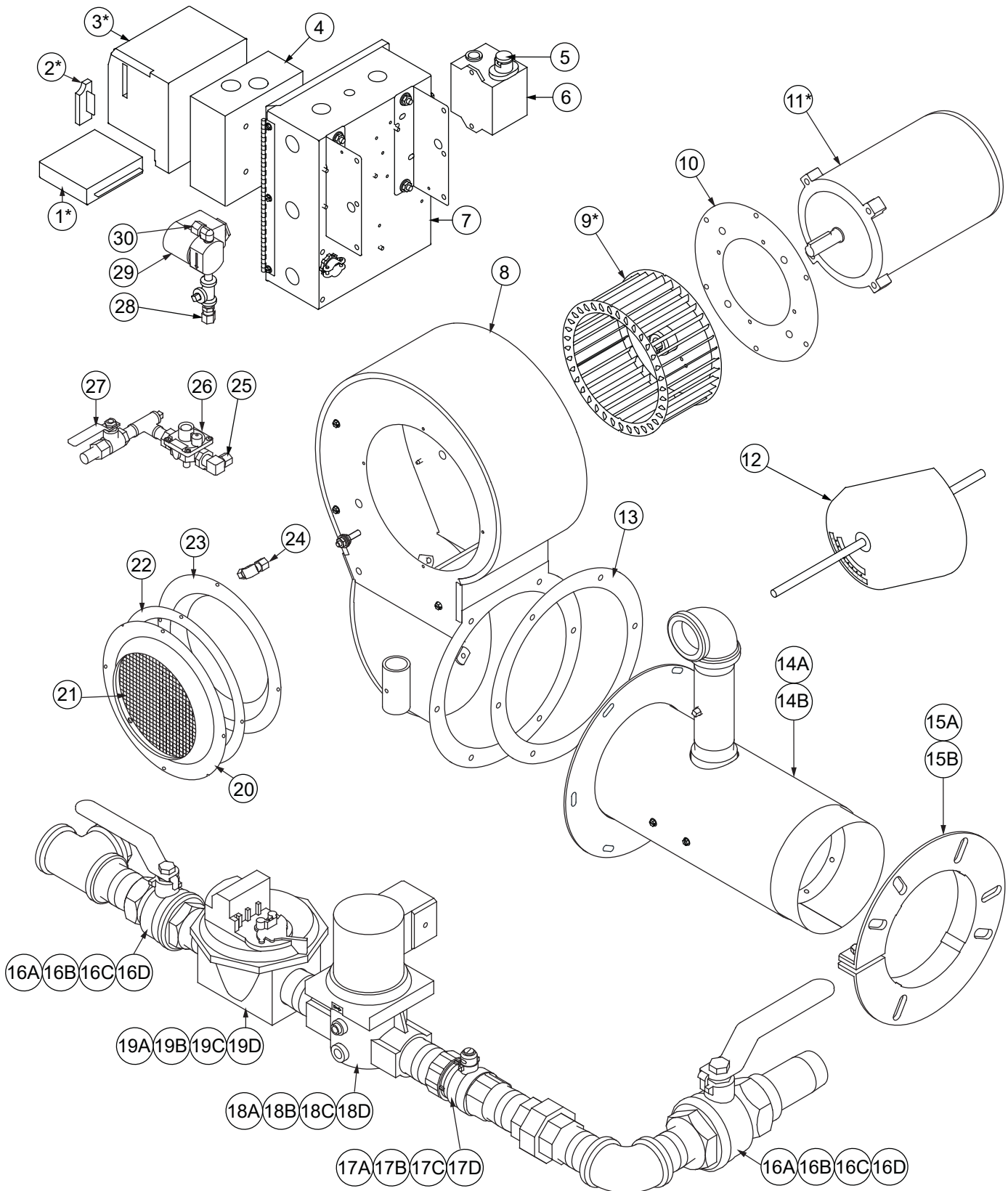
Midco® International Inc.  
4140 West Victoria Street  
Chicago, Illinois 60646  
toll free 866.705.0514  
tel 773.604.8700  
fax 866.580.8700  
web [www.midcointernational.com](http://www.midcointernational.com)  
e-mail [sales@midcointernational.com](mailto:sales@midcointernational.com)



**AVOID ERROR IN PARTS SELECTION.** When ordering use complete MIDCO Part Number and Description. Furnish Burner Model Number, Bill of Material Number and Serial Number (if available) from the specification plate found on the product.

**IMPORTANT:** Availability of parts as well as specifications are subject to change without notice. Please consult factory for item availability.

# Exploded View - MPG 1.5G & MPG 2.5G



Cartridge Assemblies and Gas Flow Control -See page 4

# Parts List - MPG 1.5G & MPG 2.5G

Item	Part #	Description	Qty	Item	Part #	Description	Qty
1A	8429-27	R7847A Rect Flame Amplifier	1	20	5238-22	MPG 1.5/2.5 Inlet Ring	1
1B	8429-30	R7849A UV Amplifier	1	21	5238-72	MPG 1.5/2.5 Air Screen	1
2A	8429-25	ST7800A1062 90-Sec Timer	1	22	5238-73	MPG Blower Gasket	1
2B	8429-22	ST7800A1039 30-Sec Timer	1	23	8437-62	Inlet Ring	1
3A	8429-56	RM7895E Controller (Flame Rect)	1	24	8483-00	1/8" M X 1/4" Tube Elbow	1
3B	8429-19	RM7895A Controller (UV only)	1	25	8483-11	1/4" M X 5/16" Tube Elbow	1
4	8429-16	Q7800B Sub Base	1	26	8400-10	1/4" Pilot Regulator	1
5	8408-94	10-32 Terminal Nut	1	27	8404-28	1/4" Ball Valve	1
6	8447-22	Ignitor Spark Generator	1	28	8483-30	1/8" M X 5/16" Tube Straight Fitting	5
7	5244-50	MPG Control Box (Approx. 9"x7.5"x3.5")	1	29	8402-00	1/8" NPT Solenoid Valve, 120V	1
8	5238-06	MPG 1.5/2.5 Blower Housing	1	30	8483-01	1/8" M X 5/16" Tube Elbow	1
9A	3627-50	MPG 1.5 Blower Wheel 7" X 3.5"	1				
9B	7349-00	MPG 2.5 Blower Wheel 7" X 4"	1			Not Shown	
10	3197-50	Motor Adaptor Flange	1	5238-39		Leak Test Cock Kit	
11A	8437-15	MPG 1.5 1/2 Hp Motor, Single Phase, 115V/230V 60Hz	1	5238-77		MPG Pilot Orifice Assembly Stamped B	
11B	8437-25	MPG 2.5 3/4 Hp Motor, Single Phase, 115V/230V 60Hz	1	5238-79		MPG Pilot Orifice Assembly Stamped A	
12	5238-07	MPG 1.5/2.5 Air Shutter	1	5239-13		Rope Gasket, 8" Tube (MPG 2.5)	
13	5238-36	MPG Housing Gasket	1	5240-89		Rope Gasket, 6" Tube (MPG 1.5)	
14A	5238-08R	MPG 1.5 Blast Tube	1	5243-42		500 Ohm Resistor Kit	
14B	5239-08R	MPG 2.5 Blast Tube	1	8406-68		DPST Relay - 120V (Motor Contactor)	
15A	2020800	6" Mounting Flange MPG 1.5	1	8425-52		Pressure Diff Switch	
15B	5239-15	8" Mounting Flange MPG 2.5	1				
16A	8404-67	1" Ball Valve without Side Tap	1				
16B	8404-66	1- 1/4" Ball Valve without Side Tap	1				
16C	8404-65	1- 1/2" Ball Valve without Side Tap	1				
16D	8404-64	2" Ball Valve without Side Tap	1				
17A	8404-38	1" Quick Activated Ball Valve (On-Off Only)	1				
17B	8404-40	1-1/4" Quick Activated Ball Valve (On-Off Only)	1				
17C	8404-41	1-1/2" Quick Activated Ball Valve (On-Off Only)	1				
17D	8404-42	2" Quick Activated Ball Valve (On-Off Only)	1				
18A	8418-03	1" Solenoid Gas Valve 120V	1				
18B	8402-06	1-1/4" Solenoid Gas Valve 120V	1				
18C	8402-07	1-1/2" Solenoid Gas Valve 120V	1				
18D	8402-18	2" Solenoid Gas Valve 120V	1				
19A	8419-24	1" 2-Way Comb Dv Valve 120V	1				
19B	8419-81	1-1/4" 2-Way Comb Dv Valve 120V	1				
19C	8419-82	1-1/2" 2-Way Comb Dv Valve 120V	1				
19D	8419-83	2" 2-Way Comb Dv Valve 120V	1				

## Special Parts

### MPG 1.5G HTD

5238-50	HTD Shutter Weldment
8419-95	Belimo Actuator
5243-49	1-1/2" Flow Control Valve 10-1
5238-61	MPG 1.5G Cartridge Assembly 10-1 UV
5238-86	C Pilot Orifice

### MPG 2.5G HTD

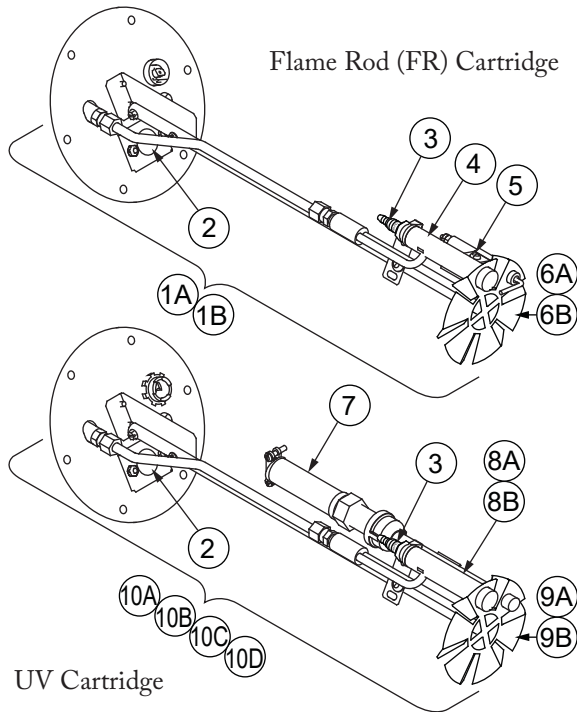
5238-50	HTD Shutter Weldment
8419-95	Belimo Actuator
5243-54	2" Flow Control Valve 10-1
5239-83	MPG 2.5G Cartridge Assembly 10-1 UV
5238-86	C Pilot Orifice

### 230V Parts (Not Shown)

8429-42	EC7895A Controller
8437-25	3/4 Hp Motor 230V 50/60Hz
8402-09	1-1/2" Solenoid Gas Valve 240V
8402-46	1/8" Pilot Solenoid Valve 220V/240V
8447-24	Ignitor Spark Generator 230V

# Cartridge Assemblies - MPG 1.5G & MPG 2.5G

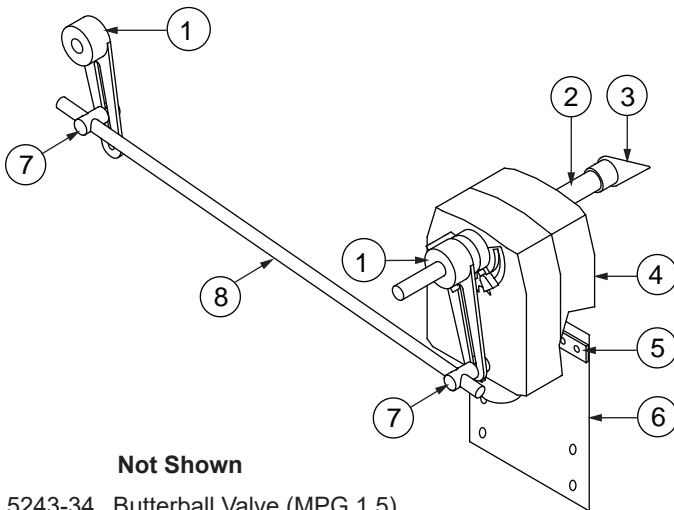
## Cartridge Assemblies



### Not Shown

5238-42	Ignition Wire - MPG 1.5/2.5
8457-21	Cable Wrap Black (UV Cartridge Assemblies)
8506-38	Flame Rod Wire MPG 1.5/2.5 (FR Cartridge Assemblies)

Item	Part #	Description	Qty
1A	5239-63	MPG 1.5 FR Cartridge Assembly	1
1B	5239-64	MPG 2.5 FR Cartridge Assembly	1
2	7122-90	Peep Sight Assembly	1
3	5238-49	Spark Plug	1
4	5239-62	Pilot Weldment-Flame Rod (MPG 1.5/2.5) Two Slots (High Low 3" Full Mod)	1
5	5236-18	Flame Rod Assembly	1
6A	5238-09	MPG 1.5 FR Cartridge Weldment Swirlier	1
6B	5239-09	MPG 2.5 FR Cartridge Weldment Swirlier	1
7	8428-05	UV Scanner	1
8A	5238-84	Pilot Weldment - UV (MPG 1.5/2.5) Two Slots	1
8B	5238-51	Pilot Weldment UV(MPG 1.5/2.5) Three Slots (10 to 1)	1
9A	5238-82	MPG 1.5 UV Cartridge Weldment Swirlier	1
9B	5239-82	MPG 2.5 UV Cartridge Weldment Swirlier	1
10A	5238-02	MPG 1.5 UV Cartridge Assembly	1
10B	5239-02	MPG 2.5 UV Cartridge Assembly	1
10C	5238-61	MPG 1.5 UV Cartridge Assembly 10 to 1	1
10D	5239-83	MPG 2.5 UV Cartridge Assembly 10 to 1	1



### Not Shown

5243-34	Butterball Valve (MPG 1.5)
5243-35	Butterball Valve (MPG 2.5)
8419-09	Belimo Actuator Repair Kit
8447-28	Transformer Full Mod/Hi-Lo (120/208/240-24V 40VA)

## Gas Flow Control for Two-Stage and Full Modulating 3-1 Burners

Item	Part #	Description	Qty
1	8450-94	Crank Arm Shrt	2
2	5243-30	MPG Gas Valve Shaft	1
3	5243-32	MPG Gas Valve Indicator	1
4	5243-38	MPG Belimo Assembly	1
5	5243-39	MPG Belimo Anti-Rotation Bracket	1
6	5243-31	MPG Actuator Holder	1
7	8450-18	5/16" Ball Joint	2
8	7180-25	14" Long Connecting Rod	1



**Midco**  
INTERNATIONAL

Midco® International Inc. - 4140 West Victoria Street - Chicago, Illinois 60646 - toll free: 866 705 0514  
tel: 773.604.8700 - fax: 866.580.8700 - web: www.midcointernational.com - e-mail: sales@midcointernational.com

★ MADE in the USA ★



718  
8472.95  
Printed in USA