



Replacement Parts

Low NO_x Burners - 24V Model LNB500 & LNB1000

with Combustion Chamber



Installation and Service Manual - 8471-91

Date Code - 3811

First Manufactured October 23, 2011

★MADE in the USA★

The air and gas are premixed through a modulating premix gas blower. The air and gas is ignited using a simple direct spark ignition system not requiring an additional pilot burner. Once the air and gas are premixed it is distributed through a high efficient metal fiber burner head. Premixing the fuel and air before ignition assures complete combustion with minimal levels of CO and NO_x.



Midco[®]
INTERNATIONAL

Midco International Inc.
4140 West Victoria Street
Chicago, Illinois 60646
toll free 866.705.0514
tel 773.604.8700
fax 866.580.8700
web www.midcointernational.com
e-mail sales@midcointernational.com

AVOID ERROR IN PARTS SELECTION. When ordering use complete MIDCO Part Number and Description. Furnish Burner Model Number, Bill of Material Number and Serial Number (if available) from the specification plate found on the product.

IMPORTANT: Availability of parts as well as specifications are subject to change without notice. Please consult factory for item availability.



1121

8473 00
Printed in USA

Quality Designed for Proven Performance

Exploded View - Low NOx Burner - LNB500 & LNB1000

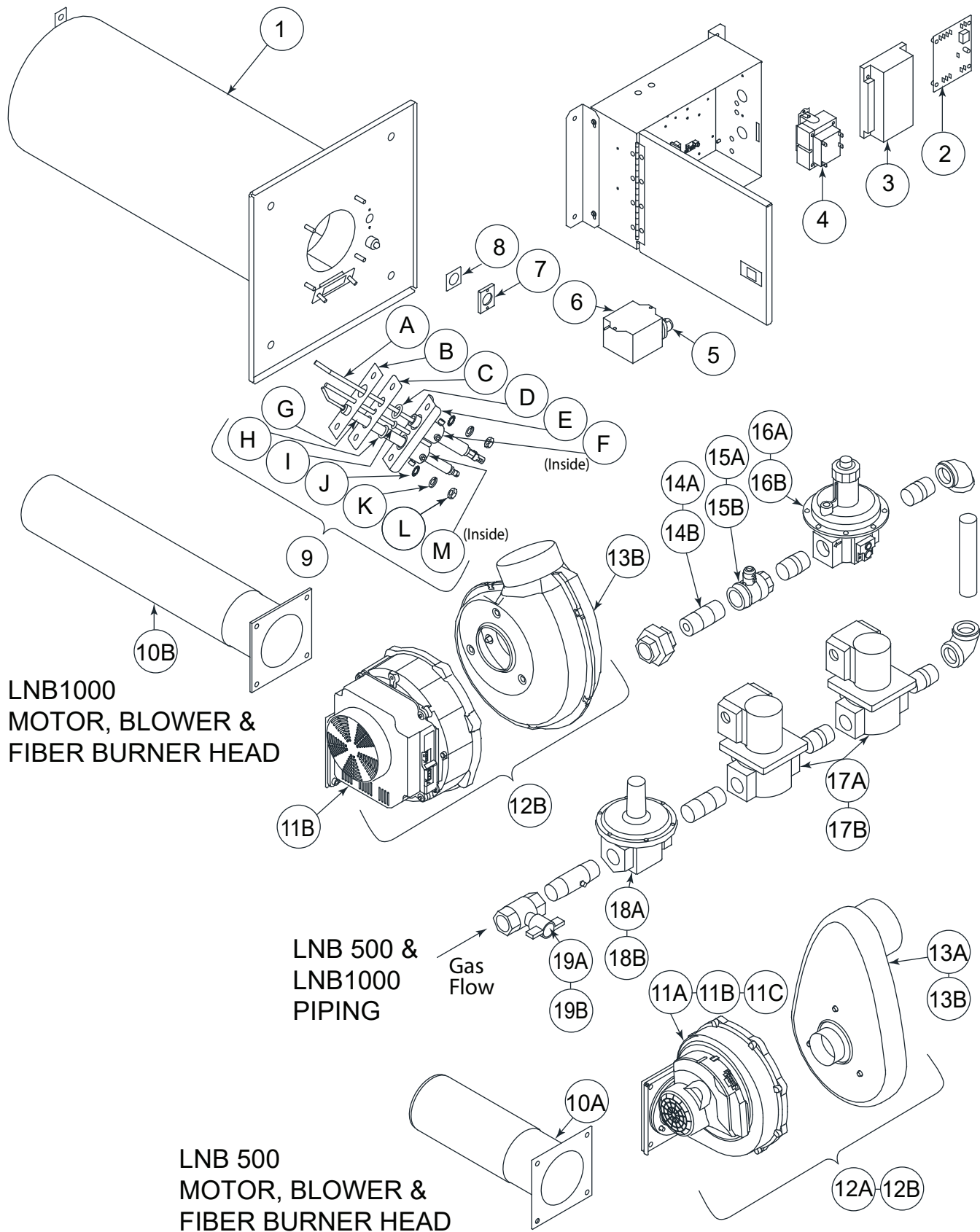


Figure 1 - LNB 500 and LNB 1000 - Expanded View

Low NO_x - LNB500 & LNB1000 - Burner Parts List

Item	Part #	Description	Qty	Item	Part #	Description	Qty
1	5246-03	LNB 500 / LNB 1000 - 1" Insertion Combustion Chamber	1				
2	8429-02	RTC Board DC Signal to PWM	1				
3	8429-64	LNB 500 / LNB 1000 - Ignition Control - 24V	1				
4	8447-27	LNB 500 / LNB 1000 - 120V to 24V 75VA Transformer	1				
5	8408-94	10/32 Terminal Nut	1				
6	8447-22	Ignitor Spark Generator	1				
7	7122-90	Peep Sight Assembly	1				
8	5246-27	Peep Sight Graphite Gasket	1				
9	5246-42R	Pilot Assembly Repair Kit (Complete)	1				
A	5246-17	Flame Rod LNB Assembly	1				
B	5246-48	Ignitor Flange Gasket	1				
C	5246-22	Ignition & Flame Assembly Plate	1				
D	8432-21	O-Ring 1/2" X 11/16" X 3/32"	1				
E	5246-45	Ignition Assembly Weldment Only	1				
F	8451-06	Flame Rod Bushing	1				
G	5246-43	Spark Rod Assembly LNB	1				
H	8432-22	O-Ring 7/16" X 5/8" X 3/32"	1				
I	8432-20	O-Ring 5/32" X 11/32" X 3/32"	1				
J	Hardware	1/4" Star Lock Washer	2				
K	Hardware	1/4" Split Lock Washer	2				
L	Hardware	1/4-20 Hex Nut	2				
M	8451-05	Spark Rod Bushing	1				
10A	5246-79	LNB 500 - Fiber Burner Head - Weldment - 4" X 9"	1				
10B	5246-29	LNB 1000 - Fiber Burner Head - Weldment - 4" X 19"	1				
11A	8435-30	LNB 500 - EBM Blower Only	1				
11B	8435-23	LNB 1000 - EBM Blower Only	1				
11C	8435-37	LNB 1000 - Fasco Blower Only	1				
12A	5246-82R	LNB 500 Blower Assembly RG175/120	1				
12B	5246-04R	LNB 1000 Blower Assembly - G170 120V	1				
13A	8416-22	LNB 500 - Blower Inlet Kit	1				
13B	8416-18	LNB 1000 - Blower Inlet Kit	1				
14A	5246-85	LNB 500 - 3/4" x 3" Nipple with Orifice	1				
14B	5246-64	LNB 1000 - 1" x 3" Nipple with Orifice	1				
15A	8404-37	LNB 500 - 3/4" Quick Actuated Ball Valve	1				
15B	8404-38	LNB 1000 - 1" Quick Actuated Ball Valve	1				
16A	8416-21	LNB 500 - 3/4" NPT Ratio Regulator	1				
16B	8416-04	LNB 1000 - 1" NPT Ratio Regulator	1				
17A	8402-35	LNB 500 - 3/4" NPT Solenoid Valve 24V	2				
17B	8402-36	LNB 1000 - 1" Solenoid Valve 24V	2				
18A	8416-01	LNB 500 - 3/4" NPT Gas Regulator	1				
18B	8416-33	LNB 1000 - 1" NPT Gas Regulator	1				
19A	8404-30	LNB 500 - 3/4" T-Handle Ball Valve	1				
19B	8404-29	LNB 1000 - 1" NPT T-Handle Ball Valve	1				

Not Shown

2117-95	EBM Power Wire Harness	1
2117-96	EBM Control Wire Harness	1
5246-26	LNB 1000 - Blower Assembly Gasket	1
5246-32	LNB 500 / LNB 1000 - 4" Fiber Burner Head Gasket	1
5246-41	Flame Rod Wire	1
5246-49	Spark Rod Wire	1
5246-76	LNB 500 - Blower Assembly Gasket	1
5246-77	LNB 500 - Blower Assembly Gasket	1
5248-71	LNB 1000 - Air Restriction	1
8413-00	LNB 500 - Air Filter	1
8413-01	LNB 1000 - Air Filter	1
8425-58	Thermal Switch	1
8500-58	Fasco Power Wire Harness	1
8500-59	Fasco Control wire Harness	1

Expanded views for the combustion chamber on page 4

Low NOx - LNB500 & LNB1000 Combustion Chamber

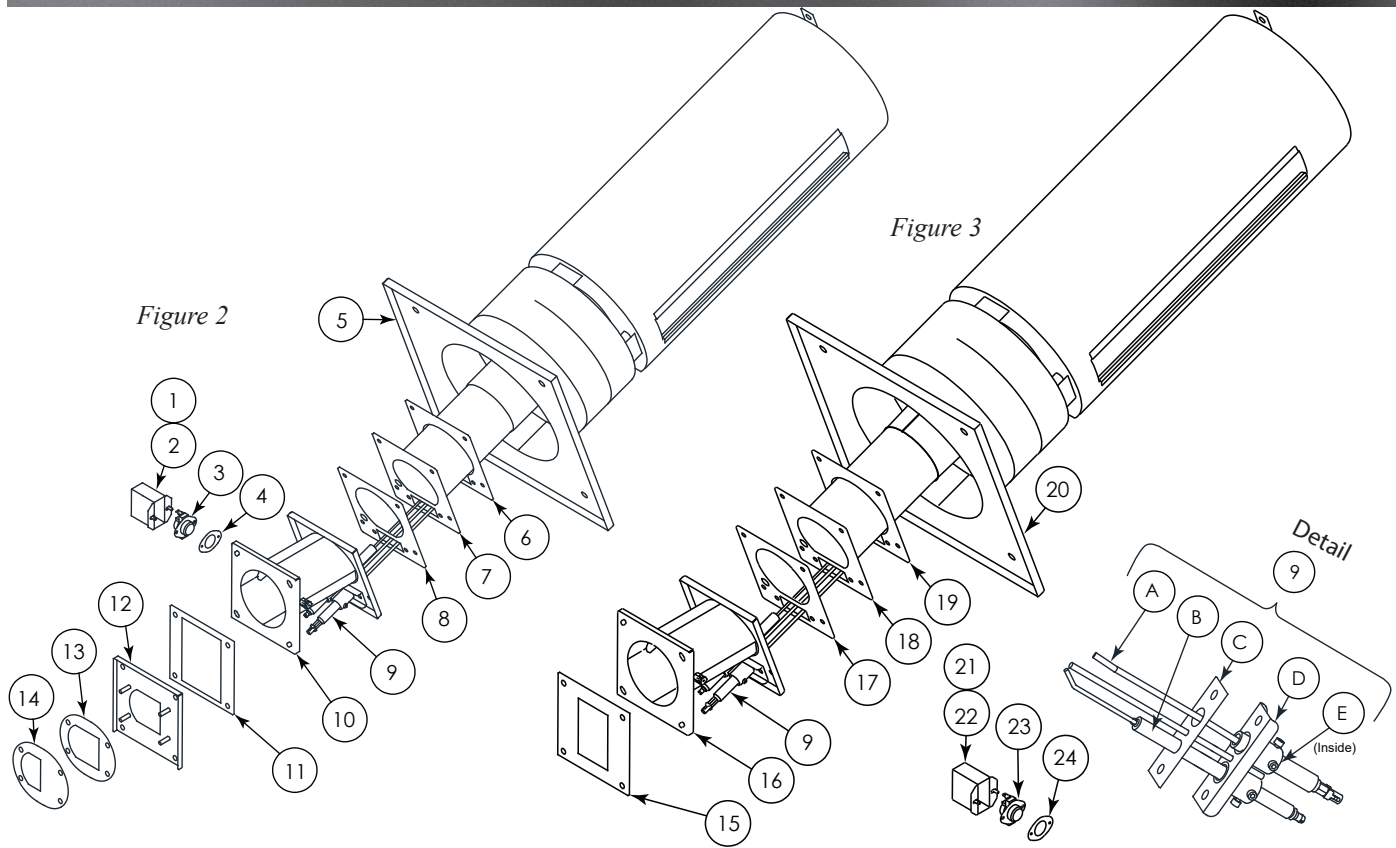


Figure 2 - LNB 500 6" Insertion Combustion Chamber Expanded View

Figure 3 - LNB 1000 6" Insertion Combustion Chamber Expanded View

Item	Part #	Description	Qty
1	HW1-088	#8-18 X 3/8" Slotted Hex HD Tapping Screw	2
2	5248-79	LNB - Cover Conduit Box	1
3	8425-58	Thermal Switch (Spdt) 160-130	1
4	5247-39	Gasket for Thermal Switch	1
5	5248-50 or 5248-50P	Combustion Chamber Weldment of LNB 6" Wall Thickness	1
6	5247-30	LNB (4NC) Burner Head Gasket	1
7	5248-68	Burner Head Weldment LNB 6NC	1
8	5247-31	LNB (4NC) B-B Gasket	1
9	5247-09R	LNB (7") Ignition and Flame Sensing Assembly	1
A	5247-35	Flame Rod Assembly LNB 7"	
B	5247-12	Spark Rod Assembly LNB 7"	
C	5247-11	Igniter Flange Gasket 7"	
D	5247-10	Ignition Assembly Weldment 7"	
E	5251-06	9/16" I.D. Electrode Bushing (Inside)	
10	5248-63	Connector Weldment LNB 6"	1
11	5246-76	Flange Gasket	1
12	5246-80	Flange Weldment	1
13	5246-77	Blower Gasket	1
14	5246-81	Air Restrictor "A"	1

Item	Part #	Description	Qty
9	5247-09R	LNB (7") Ignition and Flame Sensing Assembly	1
A	5247-35	Flame Rod Assembly LNB 7"	
B	5247-12	Spark Rod Assembly LNB 7"	
C	5247-11	Igniter Flange Gasket 7"	
D	5247-10	Ignition Assembly Weldment 7"	
E	5251-06	9/16" I.D. Electrode Bushing (Inside)	
15	5246-26	Flange Gasket	1
16	5248-63	Connector Weldment LNB 6"	1
17	5247-31	B-B Gasket	1
18	5247-16	Burner Head Weldment	1
19	5247-30	Burner Head Gasket	1
20	5248-50 or 5248-50P	Combustion Chamber Weldment of LNB 6" Wall Thickness	1
21	HW1-088	#8-18 X 3/8" Slotted Hex HD Tapping Screw	2
22	5248-79	LNB - Cover Conduit Box	1
23	8425-58	Thermal Switch (Spdt) 160-130	1
24	5247-39	Gasket for Thermal Switch	1



Midco®
Midco International Inc.

★ MADE in the USA ★

Midco® International Inc. - 4140 West Victoria Street - Chicago, Illinois 60646 - toll free: 866 705 0514
tel: 773.604.8700 - fax: 866.580.8700 - web: www.midcointernational.com - e-mail: sales@midcointernational.com



1121
8473 00
Printed in USA