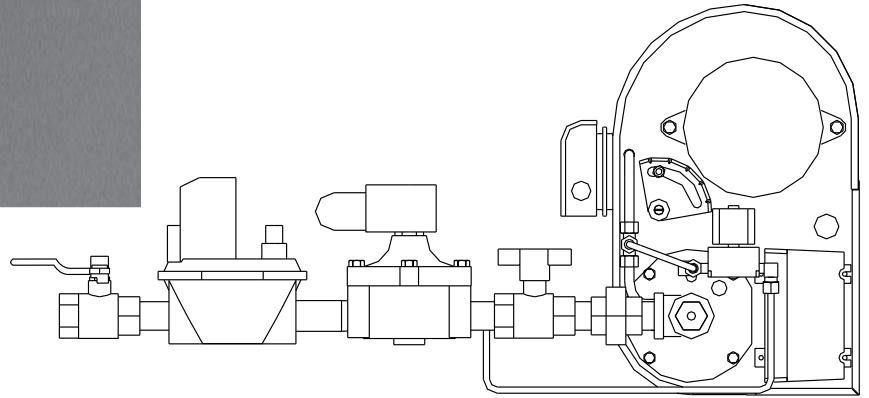


Replacement Parts List

Economite Model RE4850BA



Installation and Service Manual - 8471-24

Date Code - May 2001 (Date Code 18-01)



Midco[®]
INTERNATIONAL

Midco[®] International Inc.
4140 West Victoria Street
Chicago, Illinois 60646
toll free 866.705.0514
tel 773.604.8700
fax 866.580.8700
web www.midcointernational.com
e-mail sales@midcointernational.com

AVOID ERROR IN PARTS SELECTION. When ordering use complete MIDCO Part Number and Description. Furnish Burner Model Number, Bill of Material Number and Serial Number (if available) from the specification plate found on the product.

IMPORTANT: Availability of parts as well as specifications are subject to change without notice. Please consult factory for item availability.

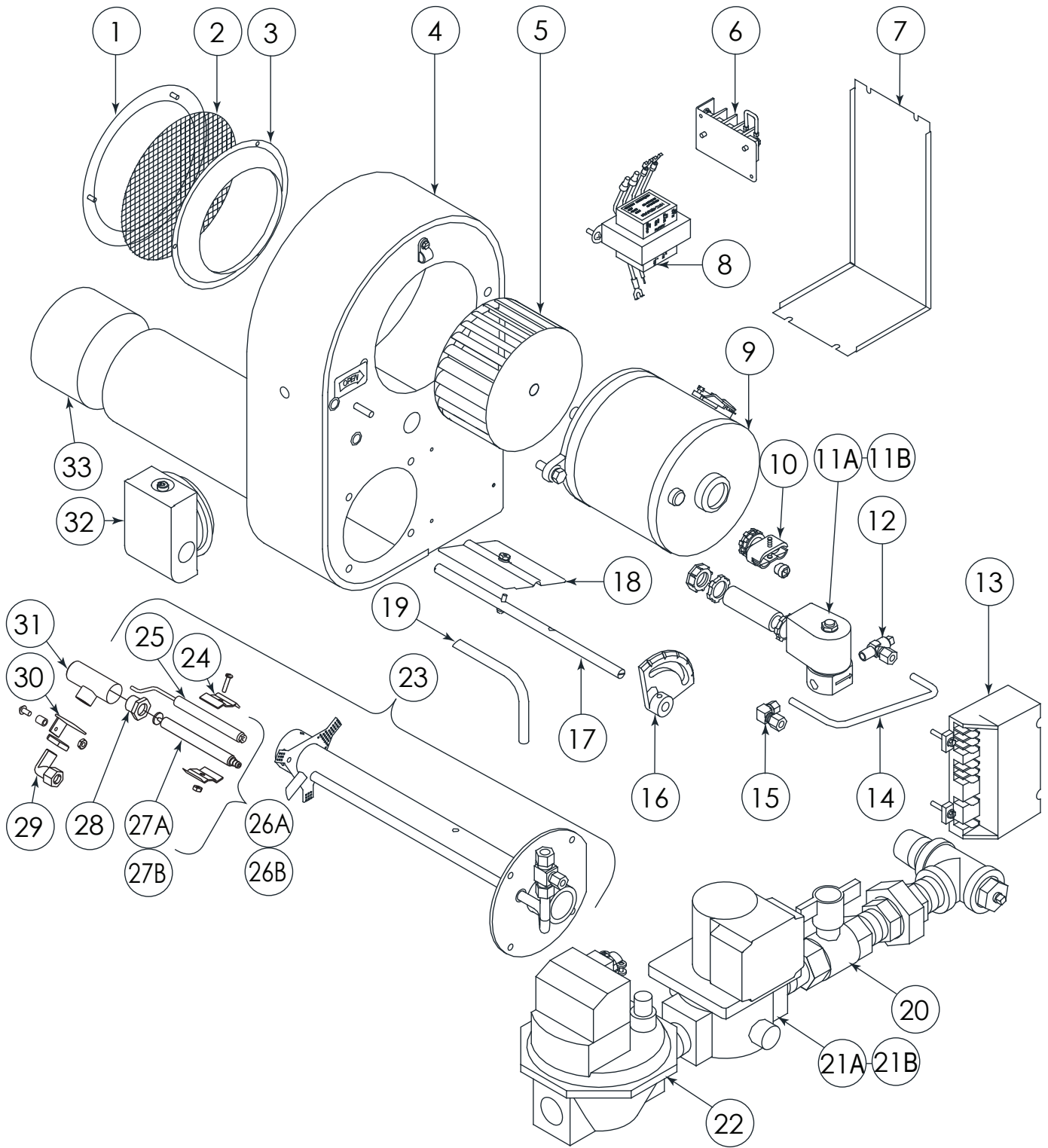


As an ISO 9001:2008 certified company, we proudly design, manufacture and assemble our products in Chicago, Illinois, USA.

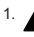
Quality Designed for Proven Performance

822
8472-78
Printed in USA

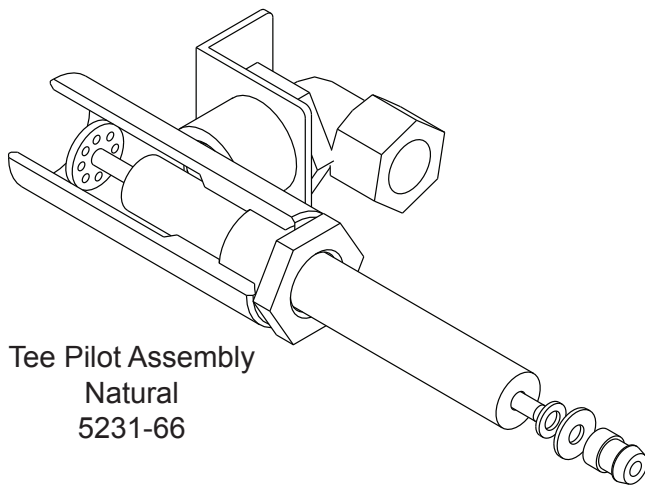
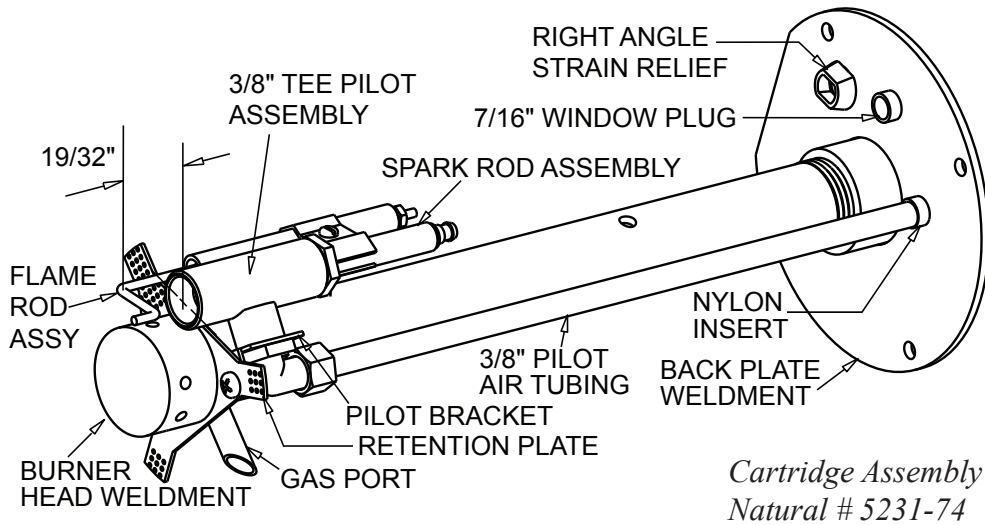
Exploded View RE4850BA



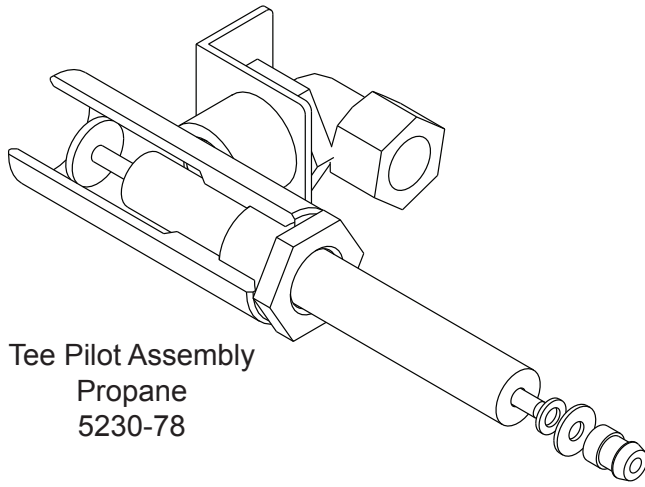
Parts List RE4850BA

| Item | Part # | Description | Qty | Item | Part # | Description | Qty |
|------|----------------------|--|-----|--|--------------------------------------|-------------|-----|
| 1 | 5230-57 | Front Ring | 1 | Not Shown | | | |
| 2 | 5230-59 | Air Screen | 1 | 3185-50 | Natural B Cock Assembly | | |
| 3 | 5230-58 | Air Entrance | 1 | 5230-27 | Main Gas Orifice (.422) - F | | |
| 4 | 5230-91 | Housing Assembly (Green) | 1 | 5230-28 | Main Gas Orifice (.500) - G | | |
| 5 | 8437-52 | 5.24" Dia X 2.81" Blower Wheel C.W. | 1 | 5230-29 | Main Gas Orifice (.563) - H | | |
| 6 | 5230-64 | Terminal Strip Bracket Assembly | 1 | 5230-30 | Main Gas Orifice (.688) - I | | |
| 7 | 5230-56 | Housing Door (Green) | 1 | 5230-31 | Main Gas Orifice (.358) - J | | |
| 8 | 5231-57 | Transformer Assembly | 1 | 5230-99 | Pilot Air Orifice | | |
| 9 | 8437-54R | 1/6 HP Motor 115/230V 50/60 Hz | 1 | 5231-54 | Pilot Gas Orifice | | |
| 10 | 8480-11 | 3/8" Box Duplex Connector | 1 | 8404-67 | 1" Ball Valve without Side Tap | | |
| 11A | 8402-37 | 1/8" NPT Solenoid Valve, 24V | 1 | 8416-53 | Regulator Spring 7/8" Id X 3-1/8" Lg | | |
| 11B | 8402-51 | 1/8" NPT, Asco Pilot Solenoid Valve, 24 Volt | 1 | 8452-16 | Adjust Mounting Flange 4" | | |
| 12 | 8483-18 | 1/8M X 1/4T X 1/8F Comp Tee | 1 | 8504-46 | Flame Rod Wire Assembly - 19" | | |
| 13 | 8429-57 ¹ | Ignition Controller - S8670J3002 | 1 | 8504-50 | Spark Wire Assembly | | |
| 14 | 5232-01 | 1/4" Pilot Valve to Brass Tee Tubing | 1 | Manual | | | |
| 15 | 8483-00 | 1/8" M X 1/4" T Comp Elbow | 1 | 8471-24 | | | |
| 16 | 3152-01 | Quadrant | 1 | Sub-Assemblies Available | | | |
| 17 | 6734-01 | Air Shutter Shaft | 1 | (See page 4) | | | |
| 18 | 5230-55 | Air Shutter | 1 | 5231-66 | Pilot Assembly Natural Gas | | |
| 19 | 5231-53 | 3/8" Air Inlet Pilot Tubing | 1 | 5230-78 | Pilot Assembly Propane Gas | | |
| 20 | 8404-29 | 1" NPT T-Handle Ball Valve | 1 | For Propane conversion kit consult the factory | | | |
| 21A | 8402-36 ¹ | 1" Solenoid Valve 24V | 1 | NOTES | | | |
| 21B | 8402-57 | 1" NPT,Asco Main Solenoid Valve, 24 Volt | 1 | 1.  WARNING: Explosion hazard. Can cause serious injury or death. This device can malfunction if it gets wet. Never try to use a device that has been wet -- replace it. | | | |
| 22 | 8419-68 ¹ | 1" NPT 2-Way Comb Diaphragm Valve 24V | 1 | | | | |
| 23 | 5231-74 | Burner Cartridge Assembly Natural | 1 | | | | |
| 24 | 5230-86 | Flame Rod Bracket | 2 | | | | |
| 25 | 5230-84 | Flame Rod Assembly | 1 | | | | |
| 26A | 5231-66 | 3/8" Tee Pilot Assembly Natural | 1 | | | | |
| 26B | 5230-78 | 3/8" Tee Pilot Assembly Propane | 1 | | | | |
| 27A | 5231-99 | Spark Rod - Natural | 1 | | | | |
| 27B | 5230-80 | Spark Rod - Propane | 1 | | | | |
| 28 | 5230-79 | 3/8" x 1/4" Blk Malleable Hex Bushing | 1 | | | | |
| 29 | 8483-55 | 1/4"M x 3/8"T-Elbow Brass Tube Fitting | 1 | | | | |
| 30 | 5230-82 | Pilot Bracket | 1 | | | | |
| 31 | 5230-67 | Pilot Body Weldment | 1 | | | | |
| 32 | 8425-19 | Blower Air Switch | 1 | | | | |
| 33 | 3981-00 | 4" Diameter Stainless Steel Sleeve | 1 | | | | |

Sub-Assemblies RE4850BA



**Tee Pilot Assembly
Natural
5231-66**



**Tee Pilot Assembly
Propane
5230-78**

Midco International has used a number of orifices to restrict the flow of fuel. To properly select the correct orifice contact the factory.

List of Main Gas Orifices

| Part # | Dia. (in inches) | Stamp # |
|---------------|----------------------------|----------------|
| 5230-23 | .290 | B |
| 5230-27 | .422 | F |
| 5230-28 | .500 | G |
| 5230-29 | .563 | H |
| 5230-30 | .688 | I |
| 5230-31 | .358 | J |



As an ISO 9001:2008 certified company, we proudly design, manufacture and assemble our products in Chicago, Illinois, USA.
 Midco® International Inc. - 4140 West Victoria Street - Chicago, Illinois 60646 - toll free: 866 705 0514
 tel: 773.604.8700 - fax: 866.580.8700 - web: www.midcointernational.com - e-mail: sales@midcointernational.com



822
8472-78
 Printed in USA