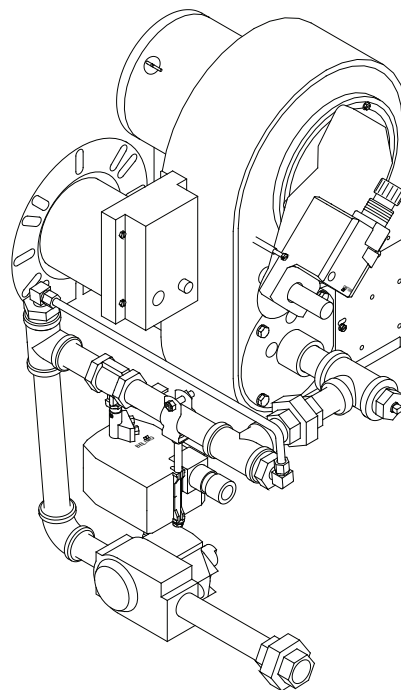


Replacement Parts List Model Economite RE4400DS HTD



Installation and Service Manual - 8471-50
Date Code - July 2005



Midco®
INTERNATIONAL

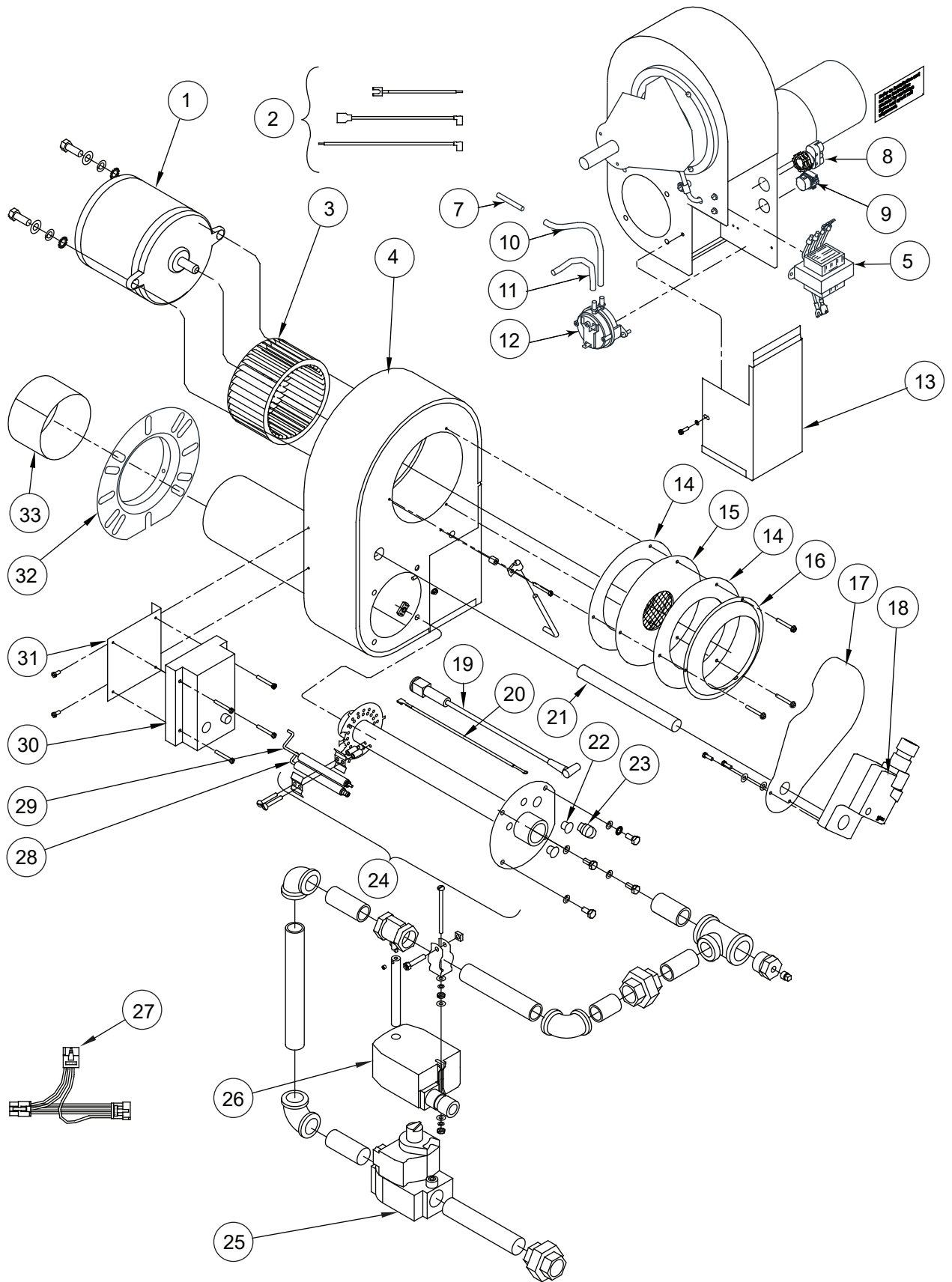
Midco® International Inc.
4140 West Victoria Street
Chicago, Illinois 60646
toll free 866.705.0514
tel 773.604.8700
fax 773.604.4070
web www.midcointernational.com
e-mail sales@midcointernational.com

AVOID ERROR IN PARTS SELECTION. When ordering use complete MIDCO Part Number and Description. Furnish Burner Model Number, Bill of Material Number and Serial Number (if available) from the specification plate found on the product.

IMPORTANT: Availability of parts as well as specifications are subject to change without notice. Please consult factory for item availability.



RE4400DS HTD Exploded View



RE4400DS HTD Parts List

Item	Part #	Description	Qty	Item	Part #	Description	Qty
1	8437-73	1/6 HP Motor 115/230v 50/60 Hz CCW	1	18	5440-37	Belimo Actuator Wiring Kit	1
2	7400-26	Wire Assembly	1	19	8504-64	Ignition Wire Assembly (Spark Rod)	1
3	8437-55	Blower Wheel C.C.W	1	20	8504-46	19" Flame Rod Wire Assembly	1
4	5440-45	Housing Weldment Flangeless	1	21	5440-15	250K/350K/400K Air Shutter Rod	1
5	5232-05	Transformer Assembly	1	22	8452-32	7/16" Window Plug	2
6	5440-18	250K/350K/400K Inlet Air Tube	1	23	8457-47	Strain Relief - Heyco Bushing	1
7	5440-25	Air Tube	1	24	5440-02	250k/350k/400k Burner Cartridge Assbly	1
8	8480-11	3/8" Bx Straight Connector	2	25	8419-75	Direct Spark Gas Valve-Slow Opening	1
9	8457-77	Strain Relief Sr-31-2	1	26	5440-31	Belimo Actuator Kit	1
10	5440-69	Air Switch Tubing	1	27	8506-18	Belimo Wire Set	1
11	5440-23	Air Switch Tubing	1	28	6418-12	Spark Rod Assembly	1
12	8425-52	Air Switch	1	29	5230-84	Flame Rod Assembly	1
13	5440-17	250K/350K/400K Housing Door	1	30	8429-31	S87K Direct Spark Ignition Control	1
14	5420-25	Gasket 400K/600K Ht	2	31	5440-22	Ignition Control Mounting Bracket	1
15	5440-21	Flow Restrictor Ring Weldment	1	32	8452-16	4" Adjustable Mounting Flange with Gasket	1
16	5420-29	Air Entrance 400K/600k Ht	1	33	3982-02	4" Stainless Sleeve	1
17	5440-14	250K/350K/400K Air Damper	1				

Not Shown

5243-95	500 Ohm Resistor Kit	1
8409-37	Power Relay	1
8406-79	Relay Timer Airtronics	1
8406-58	Power Relay Products Unlimited	1
8504-68	Flame Rod Add-On Wire Assembly	1

