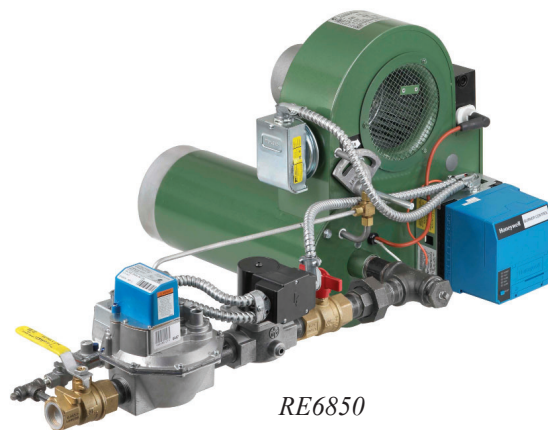


Replacement Parts List

Economite Model RE 6850



*Installation and Service Manual - 8471-45
Date Code - 9-22-2004*



Midco®
INTERNATIONAL

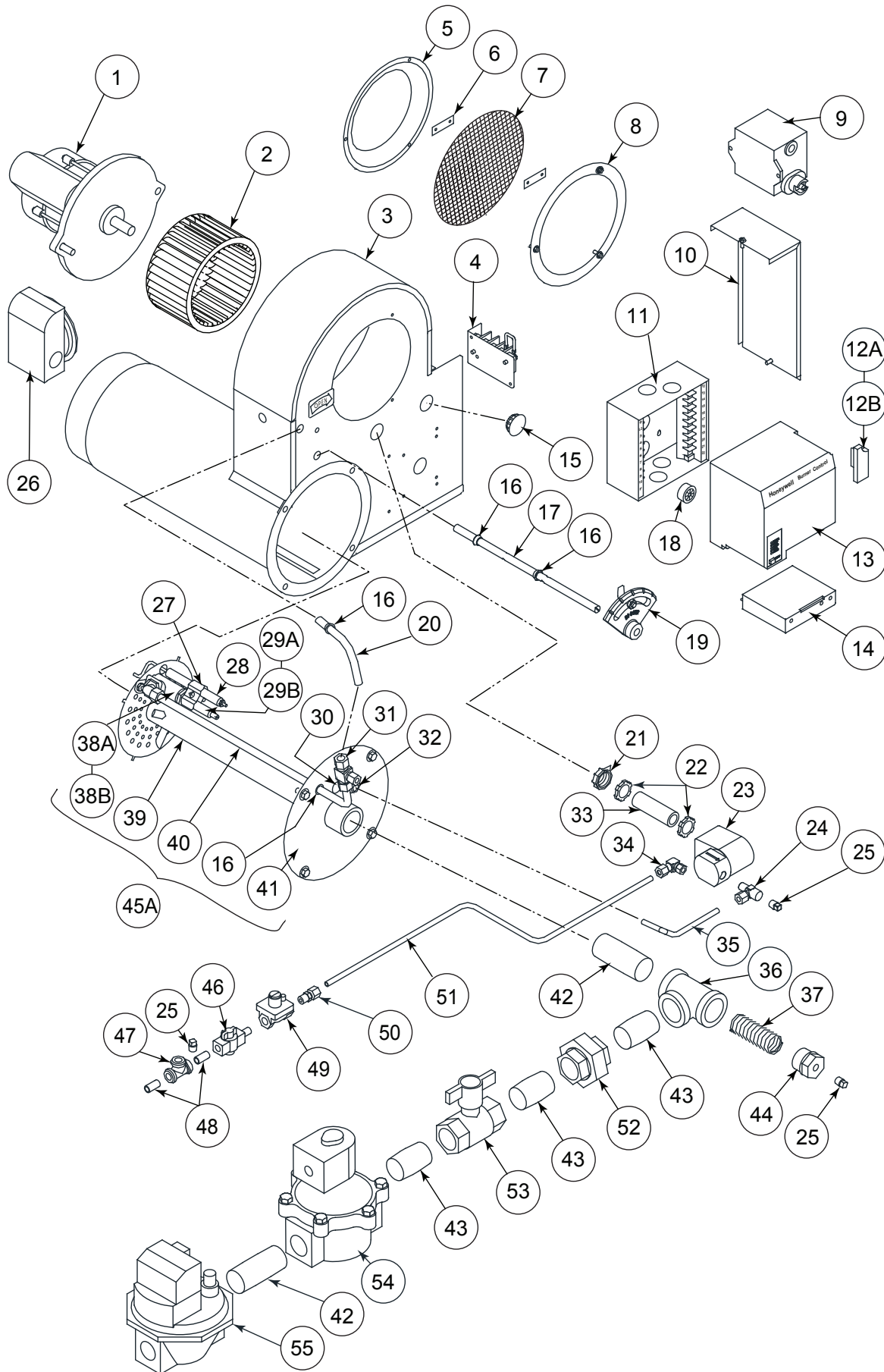
Midco® International Inc.
4140 West Victoria Street
Chicago, Illinois 60646
toll free 866.705.0514
tel 773.604.8700
fax 773.604.4070
web www.midcointernational.com
e-mail sales@midcointernational.com

AVOID ERROR IN PARTS SELECTION. When ordering use complete MIDCO Part Number and Description. Furnish Burner Model Number, Bill of Material Number and Serial Number (if available) from the specification plate found on the product.

IMPORTANT: Availability of parts as well as specifications are subject to change without notice. Please consult factory for item availability.

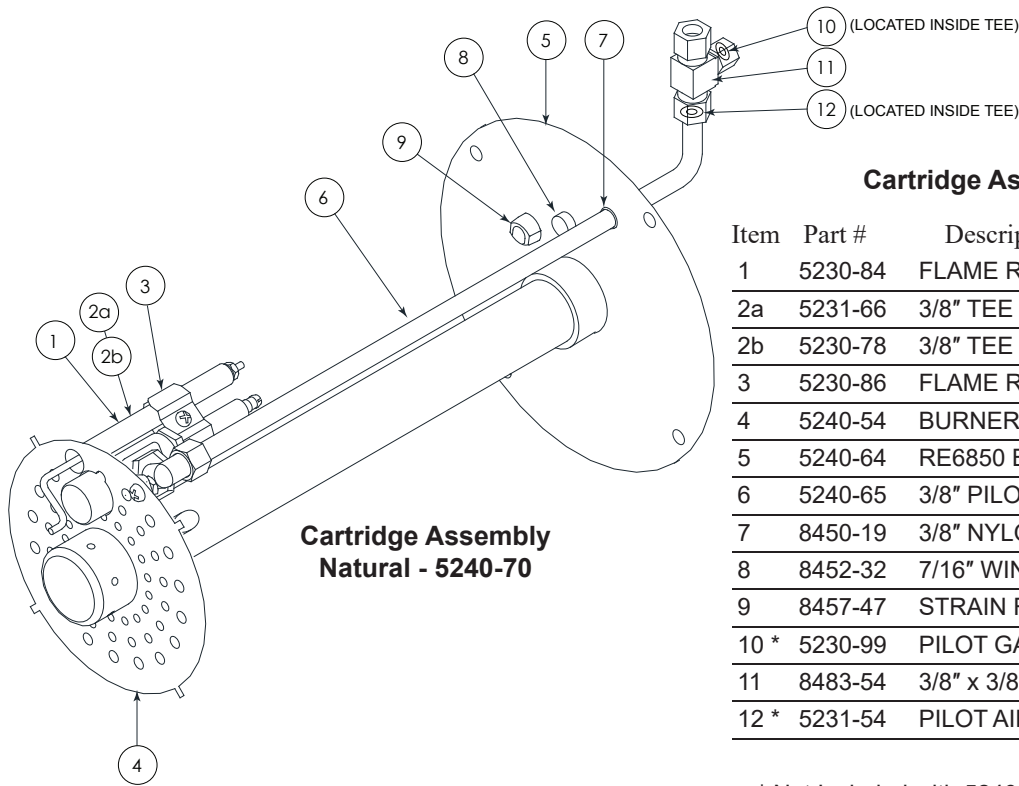


Exploded View - RE6850



RE 6850 Exploded View

Cartridge Assembly - RE 6850



**Cartridge Assembly
Natural - 5240-70**

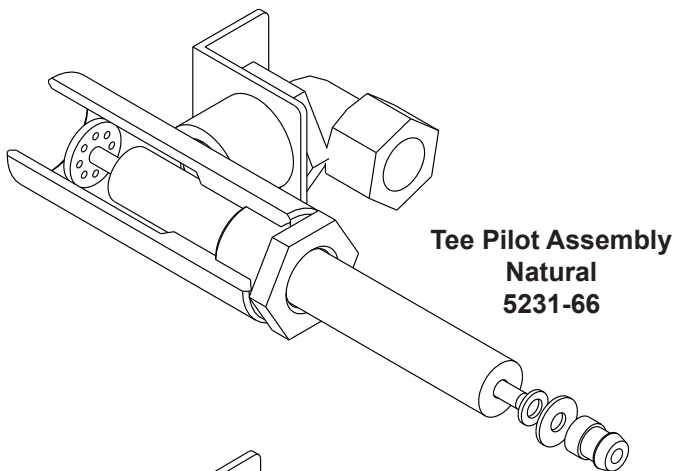
Cartridge Assembly for RE 6850

Item	Part #	Description	Qty
1	5230-84	FLAME ROD ASSEMBLY	1
2a	5231-66	3/8" TEE PILOT ASSEMBLY - NATURAL	1
2b	5230-78	3/8" TEE PILOT ASSEMBLY - PROPANE	1
3	5230-86	FLAME ROD BRACKET	2
4	5240-54	BURNER HEAD WELDMENT - RE6850	1
5	5240-64	RE6850 BACK PLATE WELDMENT	1
6	5240-65	3/8" PILOT AIR TUBE RE6850	1
7	8450-19	3/8" NYLON INSERT	1
8	8452-32	7/16" WINDOW PLUG	1
9	8457-47	STRAIN RELIEF BUSHING	1
10 *	5230-99	PILOT GAS ORIFICE (Inside)	1
11	8483-54	3/8" x 3/8" x 1/4" TEE BRASS	1
12 *	5231-54	PILOT AIR ORIFICE (Inside)	1

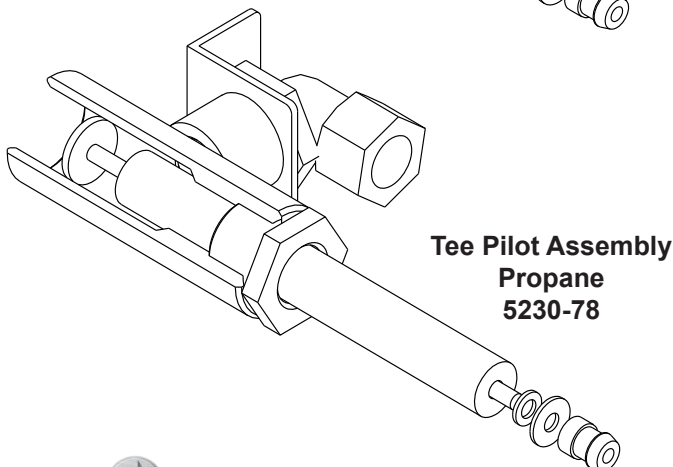
* Not Included with 5240-70 - Must Order Separately

Not shown

8504-50	SPARK WIRE ASSEMBLY	1
8505-94	FLAME ROD WIRE ASSEMBLY	1



**Tee Pilot Assembly
Natural
5231-66**



**Tee Pilot Assembly
Propane
5230-78**

Midco International has used a number of orifices to restrict the flow of fuel. To properly select the correct orifice contact the factory.

List of Main Gas Orifices

Part #	Dia (in inches)	Stamp #
5230-27	.422	F
5230-29	.563	H
5230-31	.358	J
5230-32	.332	K
5230-39	.484	O



Midco
INTERNATIONAL

Midco® International Inc. - 4140 West Victoria Street - Chicago, Illinois 60646 - toll free: 866 705 0514
tel: 773.604.8700 - fax: 773.604.4070 - web: www.midcointernational.com - e-mail: sales@midcointernational.com



221
8472 91
Printed in USA