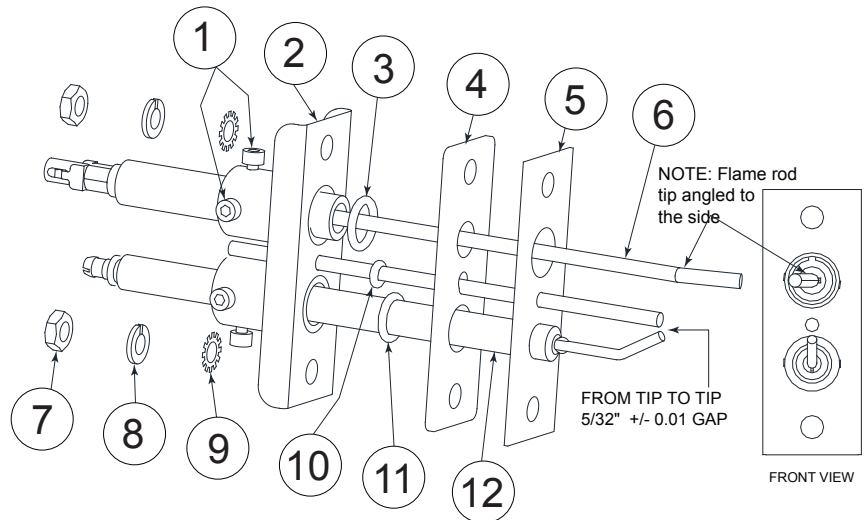


LNB (Low NO_x Burner) Ignition Assembly Kit #5246-42R

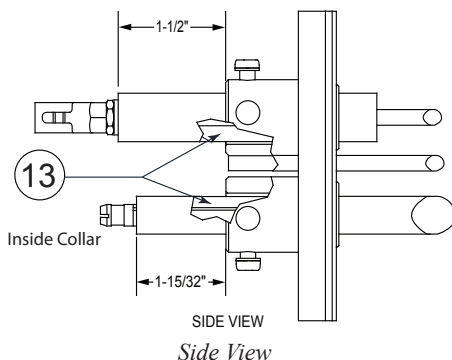


CAUTION: Read and understand this service bulletin thoroughly before starting. Only a trained, experienced service technician should attempt this service procedure.

1. Turn off all electrical power to gas utilization equipment.
2. Observe orientation of existing ignition electrode system.
3. Remove spark ignition wire and flame sensing wire.
4. Remove mounting hardware (nuts and washers) and set aside.
5. Remove old ignition electrode assembly.
6. Re-attach spark and sensing wires to new ignition electrode assembly. They are "keyed" to not allow cross wiring. Check spark gap as shown below.
7. Install 5246-42R as the original was positioned.
8. Re-install washers and nuts.
9. Tightly secure nuts to mounting studs. Tighten, but do not over torque.
10. Turn on power to the burner and test ignition and sensing system to determine burners functioning properly.



5246-42R



Item	Part #	Description	Qty
1	Hardware	#8-32 X 5/16 Socket Head Cap Screw	4
2	5246-45	Ignition Assembly Weldment	1
3	8432-21	O-Ring 1/2" X 11/16" X 3/32"	1
4	5246-22	Ignition & Flame Assembly Plate	1
5	5246-48P	Igniter Flange Gasket	1
6	5246-17	Flame Rod LNB Assembly	1
7	Hardware	1/4-20 Hex Nut	2
8	Hardware	1/4" Split Lock Washer	2
9	Hardware	1/4" Star Lock Washer	2
10	8432-20	O-Ring 5/32" X 11/32" X 3/32"	1
11	8432-22	O-Ring 7/16" X 5/8" X 3/32"	1
12	5246-43	Spark Rod Assembly LNB	1
13	8451-06	9/16" I.D. Electrode Bushing (Inside Collar)	2

AVOID ERROR IN PARTS SELECTION. When ordering use complete MIDCO Part Number and Description. Furnish Burner Model Number, Bill of Material Number and Serial Number (if available) from the specification plate found on the product.

IMPORTANT: Availability of parts as well as specifications are subject to change without notice. Please consult factory for item availability.

SAFETY INFORMATION TERMS: The following terms are used to identify hazards, safety precaution of special notations and have standard meanings throughout this manual. They are printed in all capital letters using a bold type face as shown below, and preceded by the exclamation mark symbol. When you see the safety alert symbol and one of the safety information terms as shown below, be aware of the hazard potential.



- DANGER:** Identifies the most serious hazards which will result in severe personal injury or death.
- WARNING:** Signifies a hazard that could result in personal injury or death.
- CAUTION:** Identifies unsafe practices which would result in minor personal injury or product and property damage.



Midco
INTERNATIONAL

Midco® International Inc.
4140 West Victoria Street
Chicago, Illinois 60646
toll free 866.705.0514
tel 773.604.8700
fax 773.604.4070
web www.midcointernational.com
e-mail sales@midcointernational.com