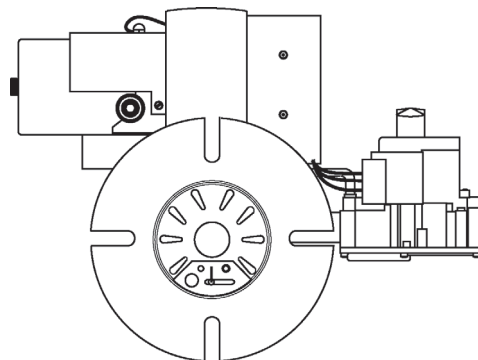


Replacement Parts List Economite Model RE32



*Installation and Service Manual - 8470-01
Date Code - 4085*

- First construction October 1985 (Date Code 4085)
- Honeywell S90B Electronic Control superseded by Honeywell S8600B Electronic Control November 1990 (Date Code 4790)
- Honeywell VR8400A Main Valve superseded by Honeywell VR8304M, shorter terminal strip with one less terminal and revised wiring October 11, 1993 (Date Code 4193).

IMPORTANT: This bulletin details standard stocking RE ECONOMITES and some customized parts for O.E.M. burners. If your burner is installed in any of the appliances listed on page 4, consult factory for Part Number confirmation. When contacting the factory, be sure to specify the appliance TRADE NAME and the Bill of Material Number from ECONOMITE rating plate.



Midco®
INTERNATIONAL

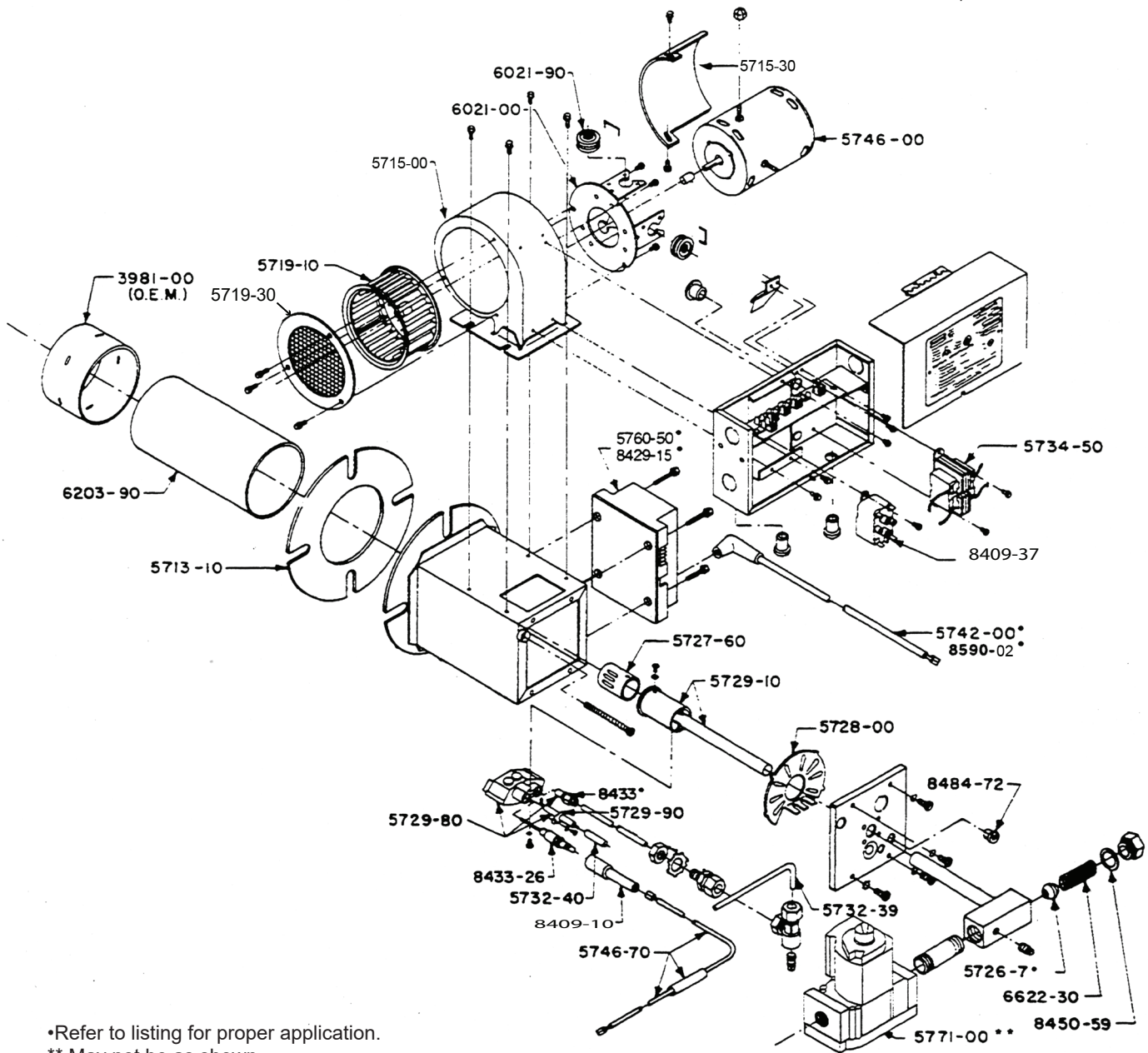
Midco® International Inc.
4140 West Victoria Street
Chicago, Illinois 60646
toll free 866.705.0514
tel 773.604.8700
fax 773.604.4070
web www.midcointernational.com
e-mail sales@midcointernational.com

AVOID ERROR IN PARTS SELECTION. When ordering use complete MIDCO Part Number and Description. Furnish Burner Model Number, Bill of Material Number and Serial Number (if available) from the specification plate found on the product.

IMPORTANT: Availability of parts as well as specifications are subject to change without notice. Please consult factory for item availability.



Exploded View - Economite RE32



•Refer to listing for proper application.
 ** May not be as shown.

RE32 Parts List

Part #	Description	Part #	Description
3981-00	^{1,2} 4" Dia. Stainless Sleeve -O.E.M.		
5713-10	Flange Gasket		*NOT ILLUSTRATED
5715-00	Blower Housing Weldment	5742-00	⁴ S90B Spark Cable (order Silicone Sleeve separately)
5715-30	R Motor Shield	5746-00	Motor with built in Centrifugal Switch (7121-6655)
5719-10	Blower Wheel	5746-70	^{4*} S8600B Flame Sensor Wire Replacement Kit (order Silicone Boot separately)
5719-30	Inlet with Screen	5760-50	^{3,4} S8600B Electronic Control Substitution Kit for S90B Electronic Control
5726-70M ¹	Main Spud - Blank - Pre-drilled with lead hole for ease in field sizing. Not stamped. For certain O.E.M. applications only.	5771-00	⁶ 1/2" 4-Function Redundant Main Valve Kit with Regulator NATURAL or PROPANE (M-H VR8440A2068, VR8304M2105)
5726-71	Main Spud - #25 Drill (.149)	6021-00	Motor Mounting Bracket
5726-72	Main Spud - #17 Drill (.173)	6021-90	3-Rubber Motor Mounts and Clips
5726-73	Main Spud - #8 Drill (.199)	6203-90 ¹	Burner Tube
5726-74	Main Spud - "A" Drill (.234)	6622-30	Orifice Spring
5726-75	Main Spud - "J" Drill (.277)	8409-10	Silicone Boot for Flame Sensor
5726-76	Main Spud - "S" Drill (.348)	8409-37	Motor Switching Relay
5726-77	Main Spud - 1/8" Drill (.125)	8429-15	^{3,4} Electronic Control (M-H S8600B1009)
5727-60	Distributor Replacement Kit	8433-05	Pilot Spud (.025) - PROPANE (Johnson Y90AA-3225)
5728-00	Retention Plate	8433-10	Pilot Spud (.032) - NATURAL (Johnson Y90AA-5232)
5729-10	Mixer Tube: 7-7/8" long	8433-26	Flame Sensor (Johnson Y75AA-4)
5729-80	Pilot Assembly including (.032) NATURAL Pilot Spud and Spark Electrode. For PROPANE, order alternate PROPANE Pilot Spud and substitute for NATURAL Spud supplied in assembly (order Flame Sensor separately)	8450-59	Gasket for Main Spud Holder Cap
5729-90	Spark Electrode Kit	8484-72	Strain Relief for Back Plate (Heyco SR-4K-1)
5732-39	External Pilot Tube Replacement Kit for use with Honeywell VR8440A Valve	8590-02	⁴ Ignition Wire Assembly
5732-40	Silicone Sleeve for Spark Electrode	2020400	4" Long Accessory Blast Tube Extension
5734-50	^{1,5} Transformer 120/1/60 Primary, 24V/30VA Secondary (Basler BE121630GAA, BE121630GDD; Prod. Unlimited 4000-01M07J232, 4000-01M07K232)		

NOTES

1. Refer to page 4 - O.E.M. BURNERS.
2. Refer to page 4 - STAINLESS SLEEVE.
3. **⚠ WARNING: EXPLOSION HAZARD. CAN CAUSE SERIOUS INJURY OR DEATH. AN ELECTRONIC DEVICE CAN MALFUNCTION IF IT GETS WET. NEVER TRY TO USE A DEVICE THAT HAS BEEN WET - REPLACE IT.**
4. Refer to page 4 - ELECTRONIC CONTROL.
5. THERMO-PRIDE burners were supplied without 24V transformers. THERMO-PRIDE powered the Electronic Control System from an existing 24V transformer located in their appliance. If transformer requires replacement, obtain from THERMO-PRIDE.
6. The Combination Valve supplied in kit is an exact replacement for burners built after October 11, 1993 (Date Code 4193). Burners built prior to that were assembled with a valve that had a different Pilot tube hookup location. Several different gas manifold arrangements were also used particularly on early O.E.M. burners. We have included a replacement Pilot Tube of the most frequently used shape. It may be necessary to reshape the original or supplied tubing. Refer to HISTORICAL DATA on page 1.

O.E.M BURNERS

Care should be taken in choosing certain replacement parts for O.E.M. burners. Parts that require special selection are 24V Transformers and Main Gas Spuds. Listed below are O.E.M. Bills of Material that have been manufactured at the printing of this bulletin. Items suffixed "O.E.M." in listing are intended for O.E.M. use only.

4140240 - MIDDLEBY MARSHALL

STAINLESS SLEEVE

Some O.E.M. burners were field modified by adding a stainless sleeve to lengthen the Burner Tube 1 inch. If it becomes necessary to replace the stainless sleeve, order 4" Dia. Stainless Sleeve 3981-00. If it becomes necessary to replace the Burner Tube, the stainless sleeve should be omitted.

⚠ CAUTION: Follow the Burner Tube insertion limits and Pilot location as detailed under COMBUSTION CHAMBER in Installation Manual (8470-01).

ELECTRONIC CONTROL

Burners built prior to November 1, 1990 (Date Code 4490) were assembled using Honeywell S90B Electronic Control Boards. Honeywell discontinued this Electronic Control Board and exact replacement Boards are no longer available from MIDCO for these early burners. If an exact replacement Board is not available locally, MIDCO can supply a retrofit kit featuring the current production Board, Honeywell S8600B Electronic Control Board. Order Kit No. 5760-50, which features additionally a 1/4 to Spark Terminal, hardware and Service Bulletin No. 8470-65

Listed below are Bills of Material that featured the early HONEYWELL S90B Electronic Control. This list is for reference only and should be used for confirmation if the HONEYWELL ELECTRONIC CONTROL cannot be determined.

4140200	4140208	4140220
4140201	4140210	4140221
4140205	4140211	4140223
4140206	4140212	4140224
4140207		

Burners built after November 19, 1990 (Date Code 4790) feature Honeywell S8600B Electronic Control board. Care must be taken in choosing a replacement control and/or its associated wiring, as these controls ARE NOT PHYSICALLY INTERCHANGEABLE. If the Electronic Control must be replaced, the replacement must be identical to the make and model number, or must be an authorized substitute. EXAMINE THE EXISTING ELECTRONIC CONTROL ON THE BURNER BOX TO DETERMINE THE EXACT MODEL NUMBER BEFORE ORDERING. To replace current Honeywell S8600B Electronic Control Board, order Part No. 8429-15.

