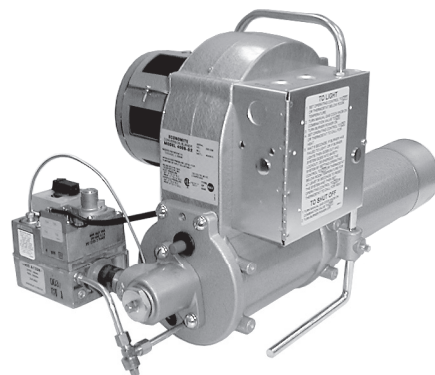


Replacement Parts List

Model Economite 400B-02 & 400B-02P



*Installation and Service Manual - 8470-75
Date Code - 2194*

- First Construction Date: May 1, 1994
- Supersedes Model 400A-02.



Midco®
INTERNATIONAL

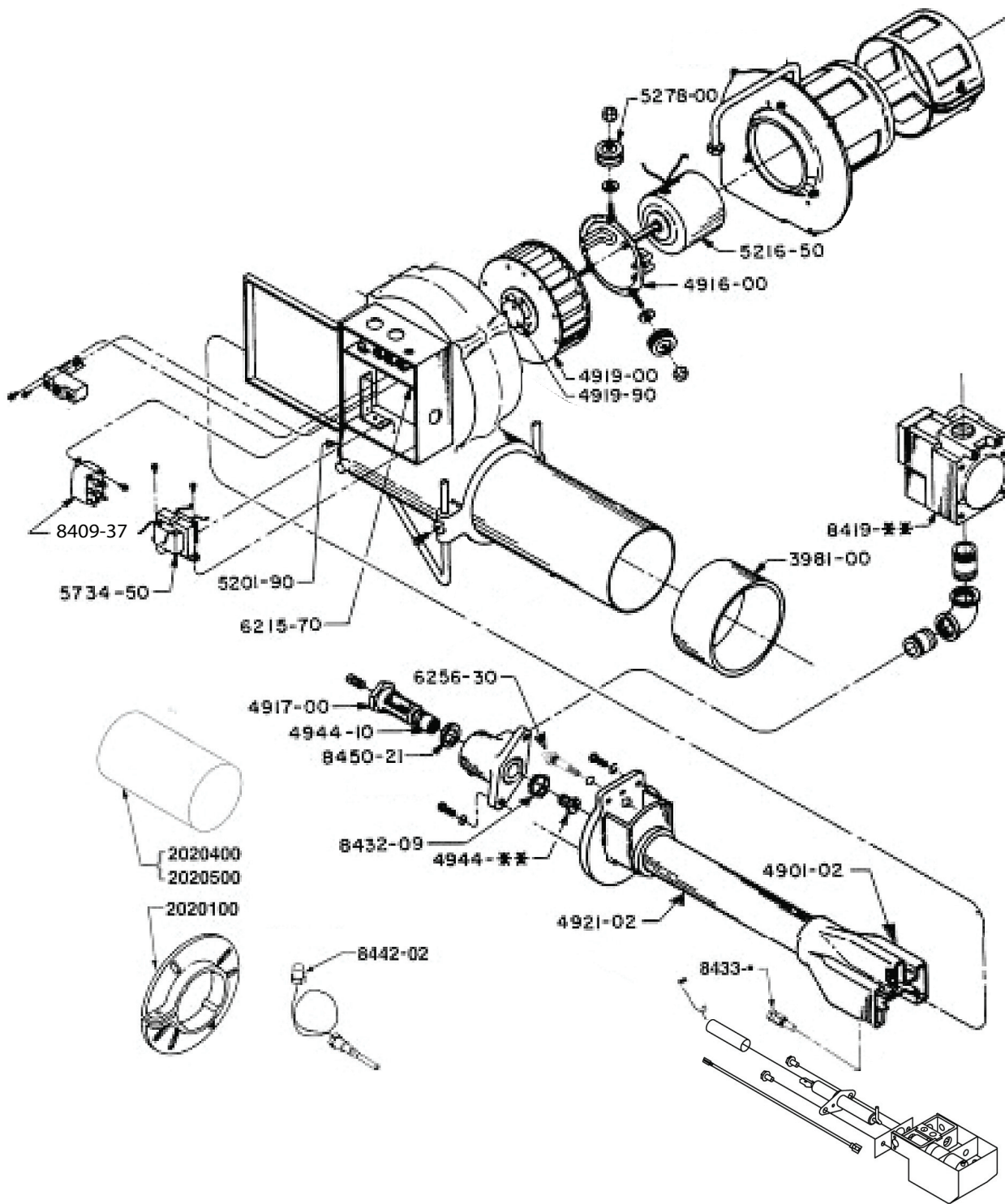
Midco® International Inc.
4140 West Victoria Street
Chicago, Illinois 60646
toll free 866.705.0514
tel 773.604.8700
fax 866.580.8700
web www.midcointernational.com
e-mail sales@midcointernational.com

AVOID ERROR IN PARTS SELECTION. When ordering use complete MIDCO Part Number and Description. Furnish Burner Model Number, Bill of Material Number and Serial Number (if available) from the specification plate found on the product.

IMPORTANT: Availability of parts as well as specifications are subject to change without notice. Please consult factory for item availability.



400B-02 & 400B-02P Exploded View



400B-02 & 400B-02P Parts List

Item	Part #	Description	Item	Part #	Description
3981-00		4" Dia. Stainless Nozzle Sleeve	5734-50	¹	Transformer 115/1/50-60 Primary, 24V-30VA
4916-00		Motor Mounting Ring less Rubber Mounts and Nuts			Secondary (Prod. Unlimited 4000-01M07J232, 4000-01M07K232; Basler BE121630GDD, BE121630GAA)
4917-00		Main Orifice Holder	6215-70		Terminal Strip only
4919-00		Blower Wheel complete with Centrifugal Actuator and Disc	6252-50		Spark Rod Insulator Sleeve
4919-90		Centrifugal Actuator Disc	6252-90		Spark Electrode
4944-01		Main Spud 11/32 Drill (.343) minimum capacity-NATURAL	6256-30		Piezo Ignitor Kit
4944-02		Main Spud-25/64 Drill (.390) maximum capacity-NATURAL	6274-50		Spark Electrode Gasket
4944-03		Main Spud #21 Drill (.159) minimum capacity-PROPANE-Drill for desired capacity per manual	8409-37		Motor Switching Relay-24 volt
4944-10		Main Spud Extension	8419-49	¹	LP Regulator Kit #393691. Must be used with VR8300A4003.
5201-90		400-Series Rubber Seal Strip	8432-09		O-Ring Seal
5216-50		Motor less Mounting Ring and Rubber Mounts 120/1/60 (Universal Electric JB2P048N#; Fasco 7163-7511)	8432-10		1" O.D. O-Ring Gasket for Piezo Ignitor
5278-00		3 Rubber Mounts and Nuts	8433-06		Pilot Orifice 3221-021 Natural Gas
5295-00		Pilot Burner Weldment-order Pilot Orifice separately	8433-08		Pilot Orifice 4212-012 LP Gas
			8442-02		30" Thermocouple
			8450-21		Orifice Holder Sealing Gasket
			2020100		4" Dia. Mounting Flange
			2020400		4" Long Accessory Blast Tube Extension
			2020500		8" Long Accessory Blast Tube Extension

Not Shown

5292-00*	DS45B/400B-02 LP Gas Valve Wire
8470-75*	Installation and Service Manual

NOTES

¹  **WARNING: EXPLOSION HAZARD. CAN CAUSE SERIOUS INJURY OR DEATH. AN ELECTRONIC DEVICE CAN MALFUNCTION IF IT GETS WET. NEVER TRY TO USE A DEVICE THAT HAS BEEN WET-REPLACE IT.**

