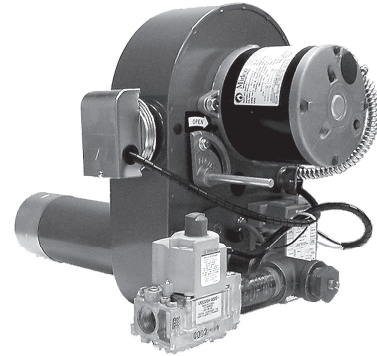


# Replacement Parts

## List Model Economite RE4400DS & RE4400DSA



Installation and Service Manual - 8471-25  
Date Code - 1801

- First construction Date: May 2001
- Spark rod electrode assembly position and part number change date: November 2001
- Fenwal F-35-60 added as alternative direct spark ignition controller: October 2021



**Midco**<sup>®</sup>  
INTERNATIONAL

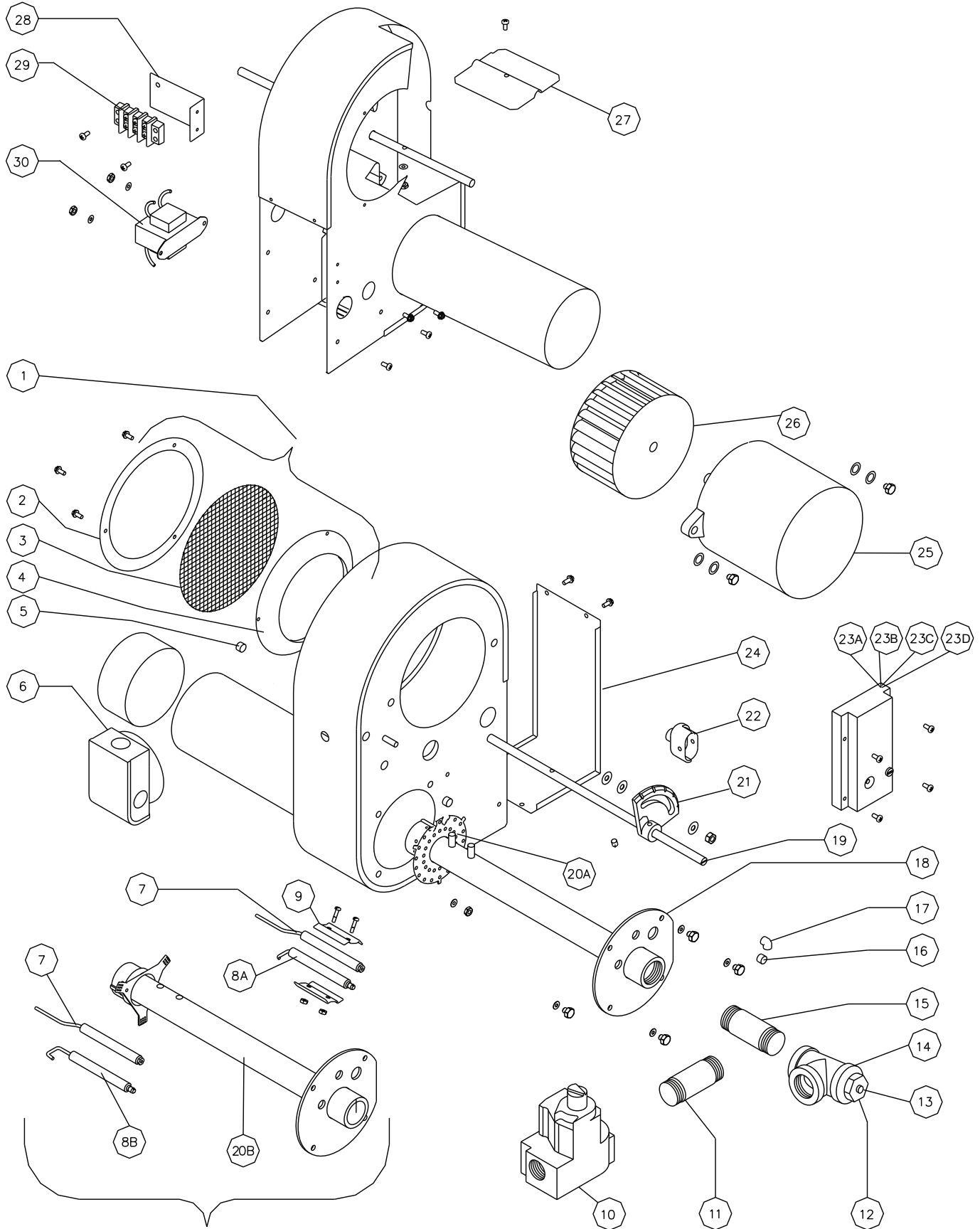
**Midco International Inc.**  
4140 West Victoria Street  
Chicago, Illinois 60646  
toll free 866.705.0514  
tel 773.604.8700  
fax 866.580.8700  
web [www.midcointernational.com](http://www.midcointernational.com)  
e-mail [sales@midcointernational.com](mailto:sales@midcointernational.com)

**AVOID ERROR IN PARTS SELECTION.** When ordering use complete EmberGlo Part Number and Description. Furnish Model Number, Bill of Material Number and Serial Number (if available) from the specification plate found on the product.

**IMPORTANT:** Availability of parts as well as specifications are subject to change without notice.



# RE4400DS & RE4400DSA Exploded View



RE4400DSA ONLY

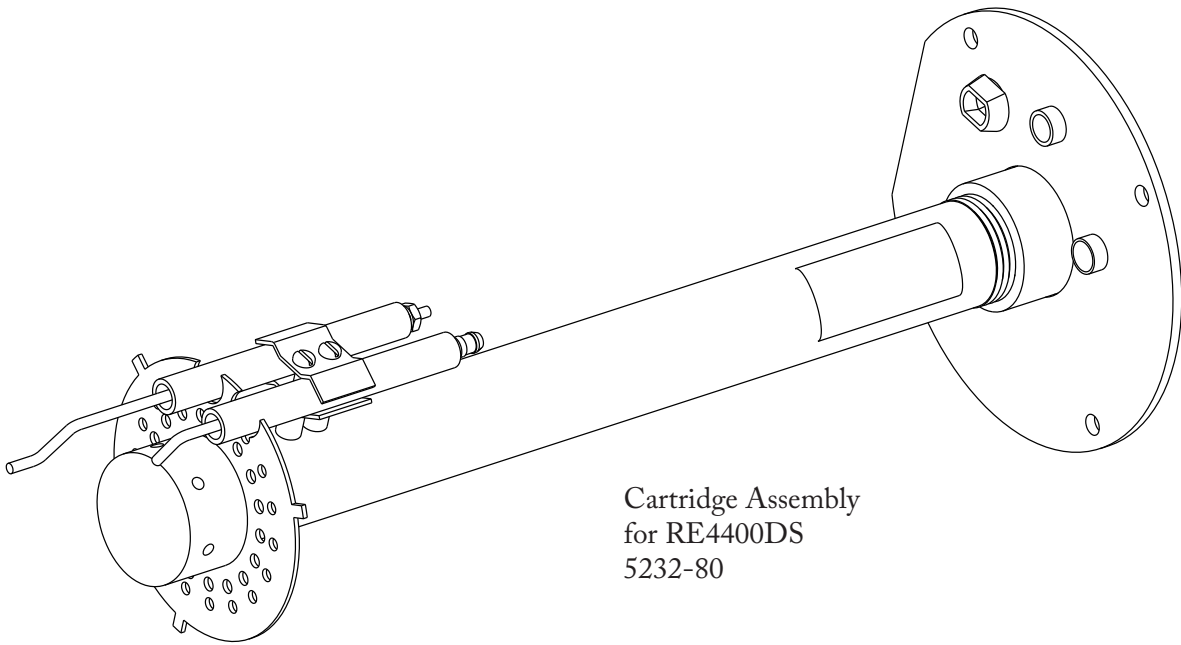
# RE4400DS & RE4400DSA Parts List

| Item             | Part #   | Description   | Qty | Item    | Part #                            | Description                                  | Qty |
|------------------|----------|---|-----|---------|-----------------------------------|--|-----|
| 1                | 5230-91  | Housing Assembly (includes #2,3 &4)                 | 1   | 26      | 8437-52                           | Blower Wheel                                 | 1   |
| 2                | 5230-57  | Front Ring  | 1   | 27      | 5230-55                           | Air Shutter                                  | 1   |
| 3                | 5230-59  | Air Screen  | 1   | 28      | 5231-56                           | Terminal Strip Bracket                       | 1   |
| 4                | 5230-58  | Air Inlet Collar                                    | 1   | 29      | 8408-78                           | 3 Position Barrier Terminal Strip            | 1   |
| 5                | 8450-19  | Nylon Insulator                                     | 1   | 30      | 5231-57                           | Transformer Assembly                         | 1   |
| 6                | 8425-19  | Air Switch  | 1   | 31      | Orifices                          | Orifices - See Pg 4 for Complete List        | 1   |
| 7                | 5230-84  | Flame Rod Assembly                                  | 1   | 32      | 8416-53                           | 7/8" X 32" 1/8" Spring                       | 1   |
| 8A               | 6418-12  | Spark Electrode Assembly<br>for RE4400DS            | 1   | 33      | 3981-00                           | 4" Diameter Stainless Steel Sleeve           | 1   |
| 8B               | 6418-05  | Spark Electrode Assembly<br>for RE4400DSA           | 1   |         |                                   |  |     |
| 9                | 5232-25  | Flame Rod Bracket                                   | 1   |         |                                   | <b>Not Shown</b>                             |     |
| 10 <sup>1</sup>  | 8419-75  | Gas Valve, Slow Opening                             | 1   | 8504-60 | Spark Wire Assembly               |  | 1   |
| 11               | 8488-04  | 3/4" X 3" NPL Reducing Nipple                       | 1   | 8504-46 | 19" Flame Rod Wire Assembly       |  | 1   |
| 12               | 8492-71  | 1" X 1/8" Hex Bushing                               | 1   | 8484-72 | Strain Relief Bushing             |  | 1   |
| 13               | 8496-00  | 1/8" Pipe Plug                                      | 1   | 8480-15 | Reducing Washer                   |  | 1   |
| 14               | 8494-07  | 3/4" Tee, Black Malleable                           | 1   | 8480-01 | 3/8" Bx, 9" Long                  |  | 1   |
| 15               | 8488-52  | 1" X 2" Long Nipple                                 | 1   | 8457-40 | Snap Bushing                      |  | 1   |
| 16               | 8452-32  | 7/16" Window Plug and Dome Plug                     | 2   | 8457-41 | Strain Relief Bushing             |  | 1   |
| 17               | 8484-75  | Strain Relief 90 Degree                             | 1   | 8457-38 | Plastic Plug for .875" Dia Hole   |  | 1   |
| 18               | 5230-88  | Back Plate Weldment                                 | 1   | 8457-37 | Plastic Plug for 1.1" Dia Hole    |  | 1   |
| 19               | 5230-61  | Shutter Shaft                                       | 1   | 8457-36 | Dome Plug                         |  | 1   |
| 20A              | 5232-79  | Burner Head Weldment<br>for RE4400DS                | 1   | 7400-01 | Grounding Wire 2" Green           |  | 1   |
| 20B              | 5232-21  | Burner Head Weldment<br>for RE4400DSA               | 1   | 5205-30 | 3 Term Block Label                |  | 1   |
| 21               | 3152-15  | Quadrant  | 1   | 8452-16 | Mounting Flange with Gasket       |  | 1   |
| 22               | 8480-11  | 3/8" Box Duplex Connector                           | 1   | 8452-48 | Gasket Only (For Mounting Flange) |  | 1   |
| 23A <sup>1</sup> | 8429-31R | Electronic Control<br>(M-H S87K - 30 Sec. Prepurge) | 1   | 3252-00 | Open Label                        |  | 1   |
| 23B <sup>1</sup> | 8429-03R | Electronic Control (M-H S87D)                       | 1   |         |                                   | <b>Sub-Assemblies Available (See Page 4)</b> |     |
| 23C <sup>1</sup> | 8429-05  | Electronic Control (F-35-60)                        | 1   | 5232-80 | Cartridge Assembly (DS)           |  | 1   |
| 23D <sup>1</sup> | 8429-04  | 0 Second Purge Electron IC Control<br>(F-35-60-003) | 1   | 5232-20 | Cartridge Assembly (DSA)          |  | 1   |
| 24               | 5230-56  | Blower Housing Door                                 | 1   |         |                                   |  |     |
| 25               | 8437-54R | 1/6 Hp Motor 115/60                                 | 1   |         |                                   |  |     |

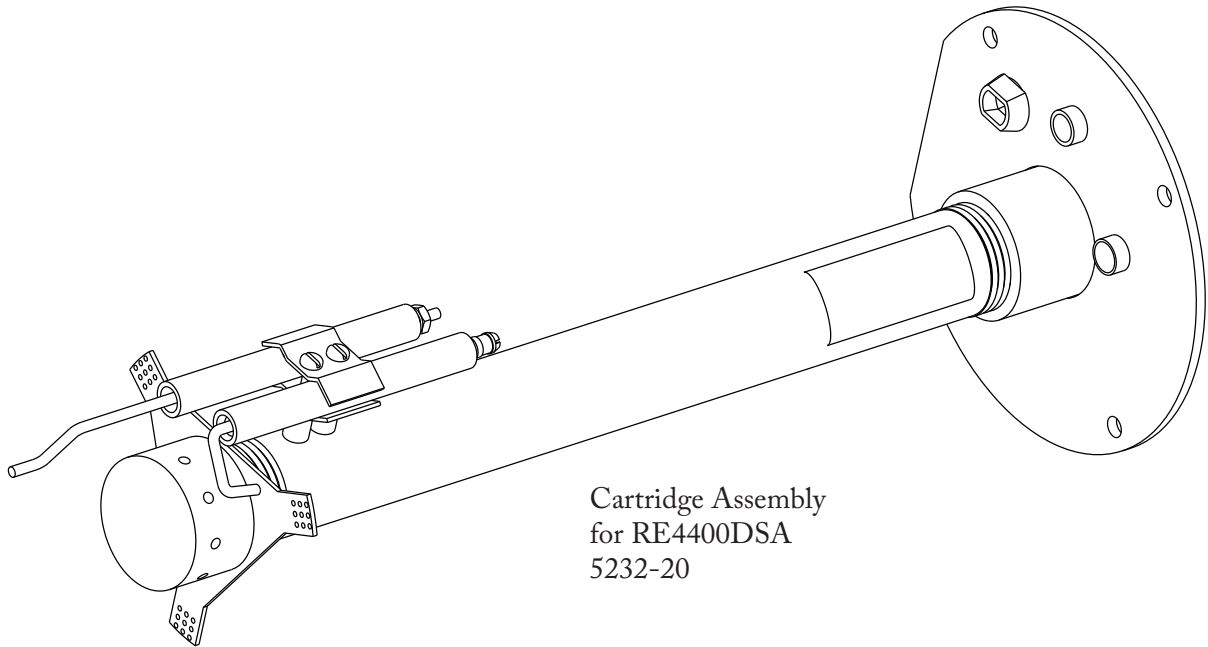
### NOTES

<sup>1</sup> **WARNING: Explosion hazard. Can cause serious injury or death. This device can malfunction if gets wet. Never try to use a device that has been wet -- replace it.**

# RE4400DS & RE4400DSA Sub-Assemblies



Cartridge Assembly  
for RE4400DS  
5232-80



Cartridge Assembly  
for RE4400DSA  
5232-20

Midco International has used a number of orifices to restrict the flow of fuel. To properly select the correct orifice contact the factory.

#### List of Main Gas Orifices

| Part #  | Dia.<br>(in inches) | Stamp # |
|---------|---------------------|---------|
| 5230-23 | .290                | B       |
| 5230-24 | .261                | C       |
| 5230-26 | .219                | E       |
| 5230-31 | .358                | J       |

