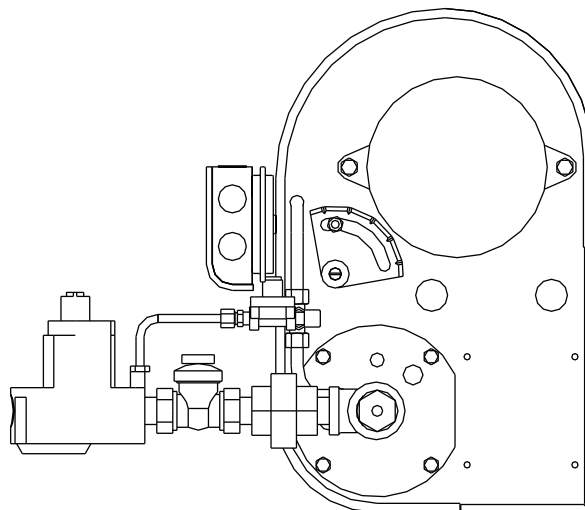


Replacement Parts List

Economite Models RE 4400B & RE 4400BA



Installation and Service Manual - 8471-24

Date Code - 44-01

First production October 2001



Midco®
INTERNATIONAL

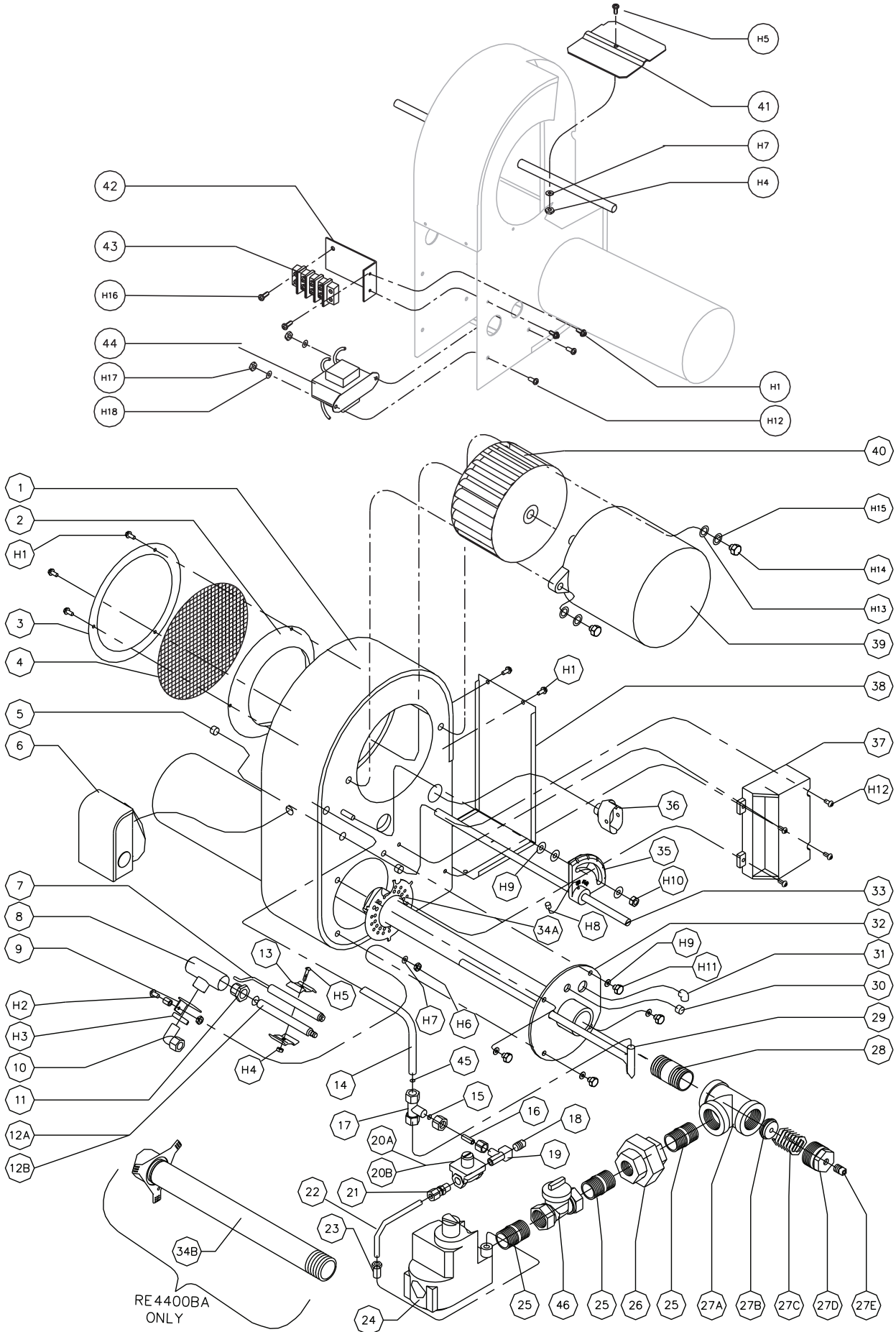
Midco® International Inc.
4140 West Victoria Street
Chicago, Illinois 60646
toll free 866.705.0514
tel 773.604.8700
fax 773.604.4070
web www.midcointernational.com
e-mail sales@midcointernational.com

AVOID ERROR IN PARTS SELECTION. When ordering use complete MIDCO Part Number and Description. Furnish Burner Model Number, Bill of Material Number and Serial Number (if available) from the specification plate found on the product.

IMPORTANT: Availability of parts as well as specifications are subject to change without notice. Please consult factory for item availability.



Exploded View RE 4400B & RE 4400BA



Item	Part #	Description	Qty	Ref #	Hardware	Qty
1	5230-91	Housing Assembly	1			
2	5230-58	Air Inlet Collar	1	H1	#8 x 3/8" Slotted Washer Head Hex Screw	9
3	5230-57	Front Ring	1	H2	#10-24 x 3/8" Phillips Screw S.S.	1
4	5230-59	Air Screen	1	H3	Lock Nut (Pal Nut)	1
5	8450-19	Nylon Ins.	3	H4	#10-24 Hex Nut	2
6	8425-19	Air Switch	1	H5	#10-24 x 1-1/8" Slotted Round Screw	2
7	5230-84	Flame Rod Assembly	1	H6	#10-24 Hex Nut S.S	1
8	5230-67	Pilot Body Weldment	1	H7	#10 Lock Washer	3
9	5233-34	Pilot Bracket	1	H8	1/4"-20 x 1/4" Socket Set Screw	1
10	8483-55	1/4"M x 3/8"T-Elbow Brass Tube Fitting	1	H9	1/4" Flat Washer	7
11	5230-79	3/8" x 1/8" Brass Hex Bushing	1	H10	1/4"-20 Hex nut	1
12A	5231-99	Spark Rod Assembly - Natural	1	H11	1/4"-20 x 3/8" Hex Head Screw	4
12B	5230-80	Spark Rod Assembly - Propane	1	H12	#8-32 x 1/2" Slotted Pan Head Screw	6
13	5230-86	Flame Rod Bracket	2	H13	5/16" Flat Washer	2
14	5231-53	3/8" Air Inlet Pilot Tubing	1	H14	5/16"-18 x 1" Hex Bolt	2
15	5231-54	Pilot Gas Orifice	1	H15	5/16" Lock Washer	2
16	5232-41	1/4" Pilot Gas Tube Straight	1	H16	#8-32 x 1/2" Slotted Washer Head Hex Screw	2
17	8483-54	3/8" x 3/8" x 1/4" Brass Tee	1	H17	#8-32 Hex Nut	6
18	8496-00	1/8" Sq. Pipe Plug	1	H18	#8 Lock Washer	6
19	8483-18	1/8"M x 1/8"F x 1/4"T Brass Tee	1			
20A	8400-00	1/8" Pilot Regulator - Natural	1			
20B	8400-06	1/8" Pilot Regulator - Propane	1			
21	8483-14	1/8"M x 1/4"T Straight Conn. Brass	1			
22	5232-89	1/4" Pilot Tube 90°	1			
23	8483-27	1/4"T Pilot Line Control Nut	1			
24 ¹	8419-71	3/4" Redundant Comb/Pilot Valve	1			
25	8488-01	3/4" x 1 1/2" Nipple	3			
26	8493-04	3/4" Union	1			
Manifold Tee Parts (27A-27E)						
27A	8494-07	1" x 1" x 3/4" Tee	1			
27B	-Orifice-	See pg 4 for complete list				
27C	8416-53	7/8" x 32 1/8" Spring	1			
27D	8492-71	1" x 1/8" Hex Bushing	1			
27E	8496-00	1/8" Pipe Plug	1			
28	8488-52	1"x 2" Nipple	1			
29	5230-43	3/8" Pilot Air Tubing	1			
30	8452-32	7/16" Window Plug	1			
31	8457-47	Strain Relief	1			
32	5230-88	Back Plate Weldment	1			
33	6734-01	Air Shutter Shaft	1			
34A	5233-18	Burner Head Weldment (RE4400B)	1			
34B	5230-48	Burner Head Weldment (RE4400BA)	1			
35	3152-15	Quadrant	1			
36	8480-11	3/8" BX Duplex Conn	1			
37 ¹	8429-57	Electronic Control	1			
38	5230-56	Blower Housing Door	1			
39	8437-51	1/6 HP Motor 115/60	1			
40	8437-52	Blower Wheel	1			
41	5230-55	Air Shutter	1			
42	5231-56	Terminal Strip Bracket	1			
43	8408-78	3 Position Barrier Terminal Strip	1			
44	5231-57	Transformer Assembly	1			
45	5230-99	Pilot Air Orifice	1			
46	8404-30	3/4" T-Handle Ball Valve	1			
Not Shown						
	3252-00	Open Label				
	5205-30	3 Term Black Label				
	7400-08	Gas Valve Wire Harness				
	8452-16	Mounting Flange with Gasket				
	8452-48	Gasket for Mounting Flange				
	8457-36	Dome Plug				
	8457-37	Plastic Plug for 1.1" Dia Hole				
	8457-38	Plastic Plug for .875" Dia Hole				
	8480-01	3/8" BX, 9" long				
	8480-15	Reducing Washer				
	8484-79	Universal Bush				
	8484-80	Snap Bush				
	8504-46	19" Flame Rod Wire Assembly.				
	8504-50	Spark Wire Assembly				
See page 4 for complete list of main gas orifices.						
Manual						
	8471-24	Installation & Service Manual				
Sub-Assemblies Available (See page 4)						
	5231-66	Pilot Assembly Natural Gas				
	5233-44	Pilot Assembly Propane Gas				
See page 4 for complete list of cartridges by burner Bill of Material Number.						
Natural to Propane Conversion Kit						
	5233-41	RE4400B & RE4400BA Conversion Kit				

NOTES

¹ **WARNING:** Explosion hazard. Can cause serious injury or death. This device can malfunction if it gets wet. Never try to use a device that has been wet -- replace it.

RE 4400B & RE 4400BA Sub-Assemblies

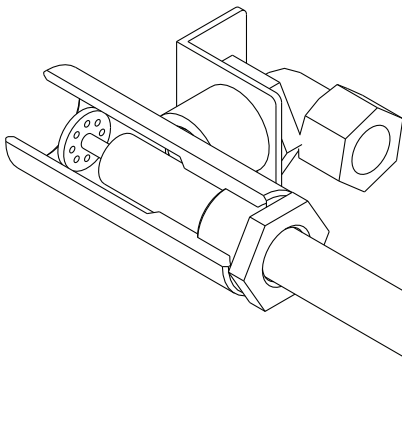
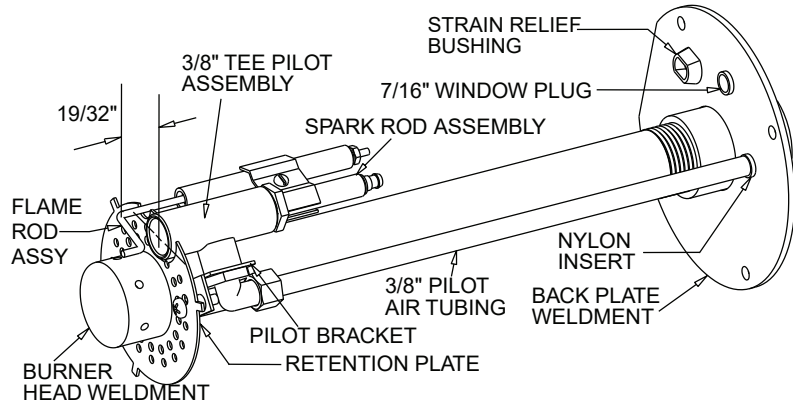
To select the correct cartridge assembly check the gas burner specifications plate. The Bill of Material (BOM) number can be found on the specification plate. Select the correct burner cartridge from the list below

List of Cartridges by Bill of Material numbers (B.O.M.)

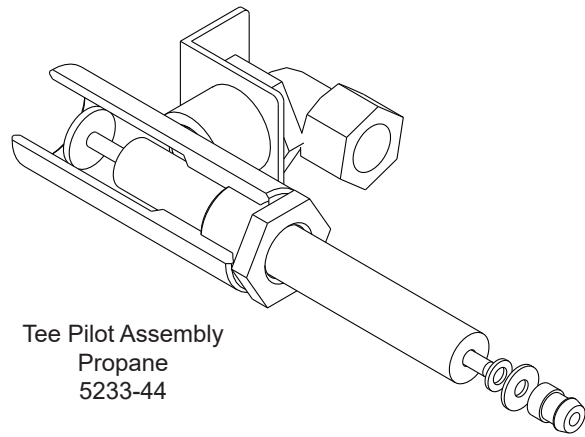
RE4400B

B.O.M. #	Cartridge #
4090150	5233-21 (Natural)

Cartridge Assembly
RE4400B



Tee Pilot Assembly
Natural
5231-66



Tee Pilot Assembly
Propane
5233-44

List of Main Gas Orifices

Midco International has used a number of orifices to restrict the flow of fuel. To properly select the correct orifice contact the factory.

Part #	Dia. (in inches)	Stamp #
5230-23	.290	B
5230-24	.261	C
5230-26	.219	E
5230-31	.358	J



Midco
INTERNATIONAL

Midco® International Inc. - 4140 West Victoria Street - Chicago, Illinois 60646 - toll free: 866 705 0514
tel: 773.604.8700 - fax: 773.604.4070 - web: www.midcointernational.com - e-mail: sales@midcointernational.com



223
8472 76
Printed in USA