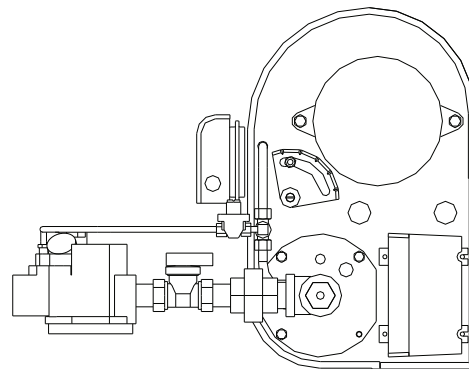


# Replacement Parts List Economite - Model RE 4700BA



Installation and Service Manual - 8471 24  
Date Code - 18-01

- First production May 2001



Midco®  
INTERNATIONAL

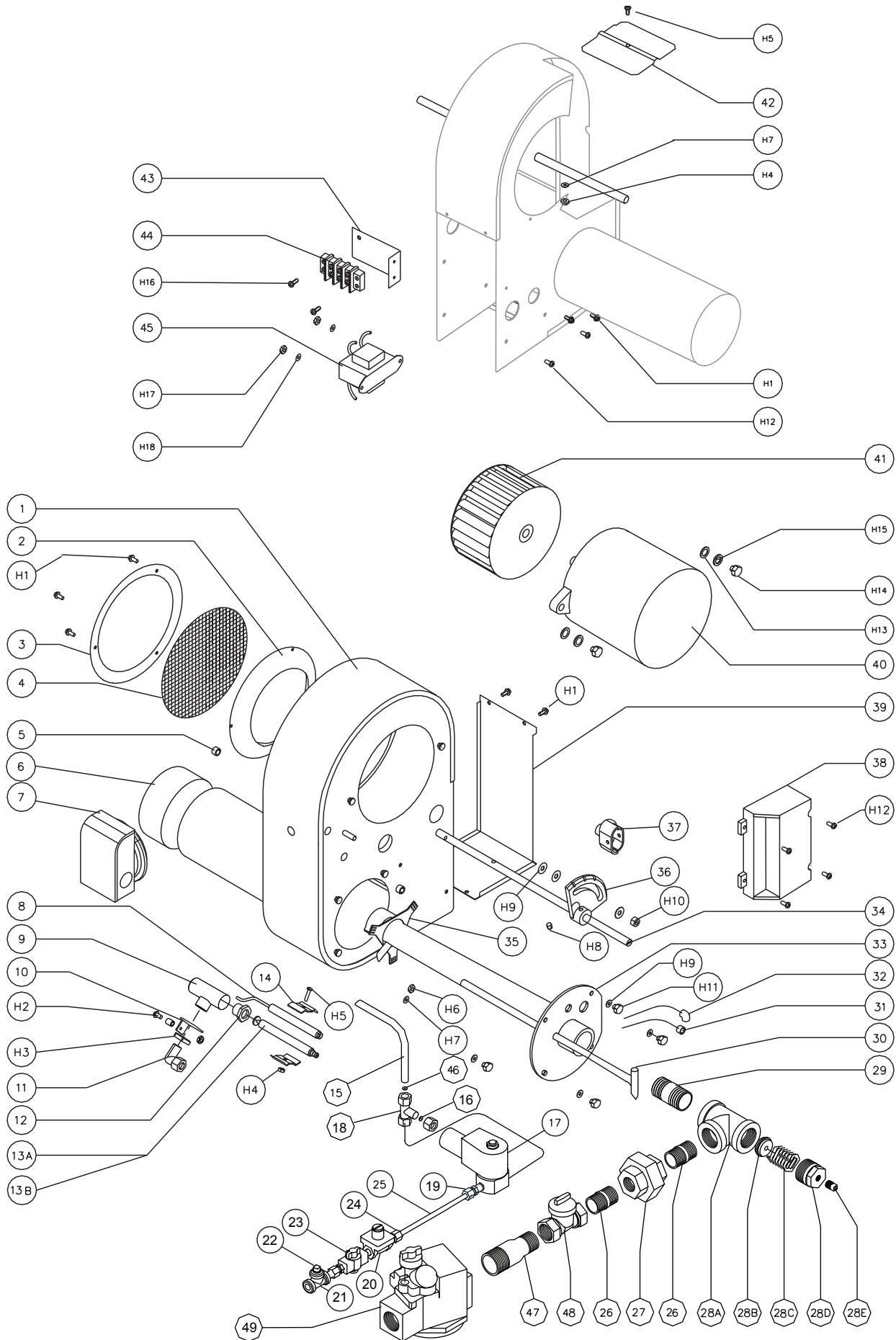
Midco® International Inc.  
4140 West Victoria Street  
Chicago, Illinois 60646  
tel 866.705.0514  
fax 866.580.8700  
web [www.midcointernational.com](http://www.midcointernational.com)  
e-mail [sales@midcointernational.com](mailto:sales@midcointernational.com)

**AVOID ERROR IN PARTS SELECTION.** When ordering use complete MIDCO Part Number and Description. Furnish Burner Model Number, Bill of Material Number and Serial Number (if available) from the specification plate found on the product.

**IMPORTANT:** Availability of parts as well as specifications are subject to change without notice. Please consult factory for item availability.



# Exploded View - RE4700BA



# Parts List - RE4700BA

Item	Part #	Description	Qty	Item	Part #	Description	Qty
1	5230-91	Housing Assembly	1	<b>Ref #</b>		<b>Hardware</b>	
2	5230-58	Air Inlet Collar	1				
3	5230-57	Front Ring	1	H1	#8 x 3/8" Slotted Washer Head Hex Screw		9
4	5230-59	Air Screen	1	H2	#10-24 x 3/8" Phillips Screw S.S.		1
5	8450-19	Nylon Ins.	1	H3	Lock Nut (Pal Nut)		1
6	3981-00	4" Diameter Stainless Steel Sleeve	1	H4	#10-24 Hex Nut		2
7	8425-19	Air Switch	1	H5	#10-24 x 3/4" Slotted Round Screw		2
8	5230-84	Flame Rod Assembly	1	H6	#10-24 Hex Nut S.S.		1
9	5230-67	Pilot Body Weldment	1	H7	#10 Lock Washer		3
10	5230-82	Pilot Bracket	1	H8	1/4"-20 x 1/4" Socket Set Screw		1
11	8483-55	1/4"M x 3/8"T-Elbow Brass Tube Fitting	1	H9	1/4" Flat Washer		7
12	5230-79	3/8" x 1/4" Blk Malleable Hex Bushing	1	H10	1/4"-20 Hex nut		1
13A	5231-99	Spark Rod Assembly - Natural	1	H11	1/4"-20 x 3/8" Hex Head Screw		4
13B	5230-80	Spark Rod Assembly - Propane	1	H12	#8-32 x 1/2" Slotted Pan Head Screw		6
14	5230-86	Flame Rod Bracket	2	H13	5/16" Flat Washer		2
15	5231-53	3/8" Air Inlet Pilot Tubing	1	H14	5/16"-18" x 1" Hex Bolt		2
16	5231-54	Pilot Gas Orifice	1	H15	5/16" Lock Washer		2
17	8402-37	1/8" NPT Solenoid Vlv Hi-cap 24V	1	H16	#8-32 x 1/2" Slotted Washer Head Hex Screw		2
18	8483-54	3/8" x 3/8" x 1/4" Brass Tee	1	H17	#8-32 Hex Nut		6
19	8483-14	1/8" x 1/4" Straight Connector	1	H18	#8 Lock Washer		6
20	8400-00	1/8" Pilot Regulator - Natural	1				
21	8494-00	1/8" Tee	1				
22	8496-00	1/8" Pipe Plug	1			<b>Not Shown</b>	
23	8401-00	1/8" Cock	1				
24	8483-14	1/8" F Brass Tee	1	1346-26	AI Tubing for air switch/pilo		
25	1346-26	Air Switch/Pilot Tubing AL	1	3252-00	Open Label		
--	8492-50	1/4" x 1/8" Hex Bushing	1	5205-30	3 Term Black Label		
26	8488-01	3/4" x 1-1/2" Nipple	2	5232-00	Robertshaw Pilot Solenoid Rpl Kit		
27	8493-04	3/4" Union	1	7400-07	Gas Valve Wire Harness		
		<b>Manifold Tee Parts (28A-28E)</b>		8452-16	Mounting Flange		
28A	8494-07	1" x 1" x 3/4" Tee	1	8452-48	Gasket for Mounting Flange		
28B	-Orifice-	See pg 4 for complete list		8457-36	Dome Plug		
28C	8416-53	7/8" x 32 1/8" Spring	1	8457-37	Plastic Plug for 1.1" Dia Hole		
28D	8492-71	1" x 1/8" Hex Bushing	1	8457-38	Plastic Plug for .875" Dia Hole		
28E	8496-00	1/8" Pipe Plug	1	8480-01	3/8" BX, 9" long		
29	8488-52	1"x 2" Nipple	1	8480-15	Reducing Washer		
30	5230-83	3/8" Pilot Air Tubing	1	8484-79	Universal Bush		
31	8452-32	7/16" Window Plug	1	8484-80	Snap Bush		
32	8484-75	Strain Relief 90 Degree	1	8504-46	19" Flame Rod Wire Assembly.		
33	5230-88	Back Plate Weldment	1	8504-50	Spark Wire Assembly		
34	5230-61	Shutter Shaft	1				
35	5231-64	Burner Head Weldment	1				
36	3152-01	Quadrant	1			See page 4 for complete list of main gas orifices.	
37	8480-11	3/8" BX Duplex Conn	1				
38 <sup>1</sup>	8429-57	Electronic Control	1			<b>Manual</b>	
39	5230-56	Blower Housing Door	1	8471-24	Installation & Service Manual		
40	8437-54R	1/6 HP Motor 115/230 50/60Hz	1				
41	8437-52	Blower Wheel	1				
42	5230-55	Air Shutter	1			<b>Sub-Assemblies Available</b>	
43	5231-56	Terminal Strip Bracket	1			<b>(See page 4)</b>	
44	8408-78	3 Position Barrier Terminal Strip	1	5230-78	Pilot Assembly Propane Gas		
45	5231-57	Transformer Assembly	1	5231-66	Pilot Assembly Natural Gas		
46	5230-99	Pilot Air Orifice	1				
47	8492-01	1" x 3/4" Reducing Nipple	1				
48	8404-30	3/4" T-Handle Ball Valve	1			See page 4 for complete list of cartridges	
49 <sup>1</sup>	8419-50	1" Redundant Sol-Opn Comb/Pil Valve	1			by burner Bill of Material Number.	

For Propane conversion kit consult the factory.

### NOTES

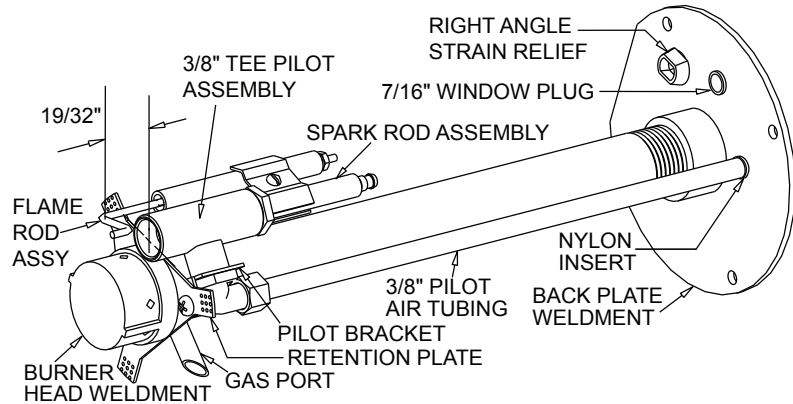
<sup>1</sup> **WARNING:** Explosion hazard. Can cause serious injury or death. This device can malfunction if gets wet. Never try to use a device that has been wet -- replace it.

# Sub-Assemblies - RE4700BA

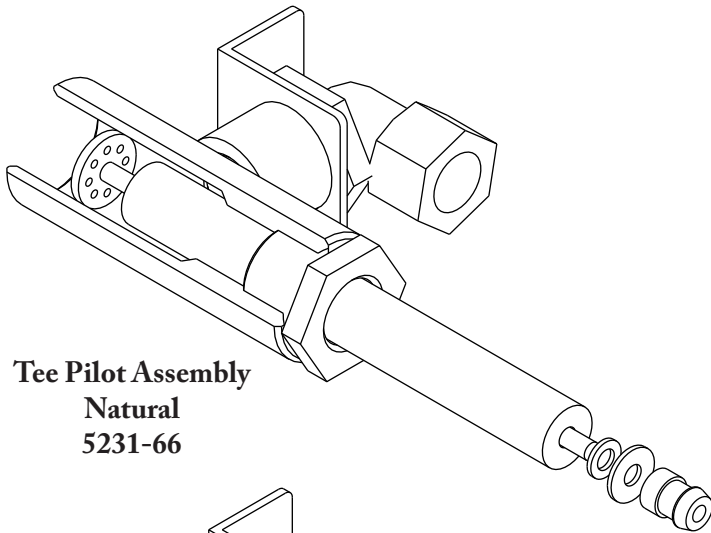
To select the correct cartridge assembly check the gas burner specifications plate. The Bill of Material (BOM) number can be found on the specification plate. Select the correct burner cartridge from the list below

List of Cartridges by Bill of Material numbers (B.O.M.)

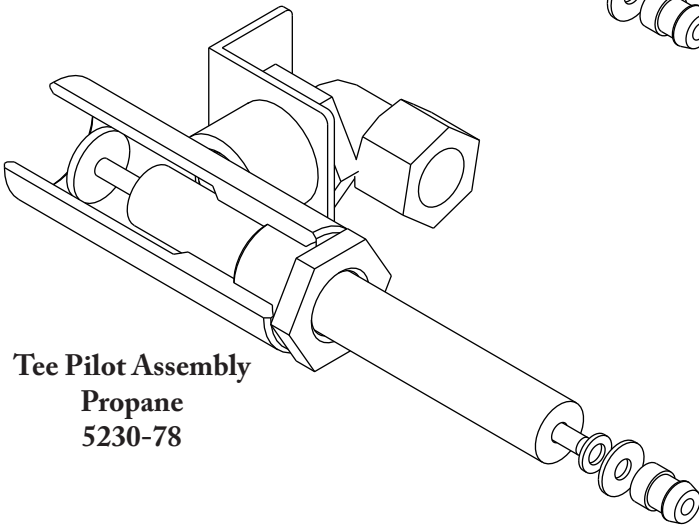
B.O.M. #	Cartridge #
<b>Natural</b>	
4090303	5231-65
4090312	5231-65
<b>Propane</b>	
4090321	5232-04



**Cartridge Assembly Natural/Propane**



**Tee Pilot Assembly  
Natural  
5231-66**



**Tee Pilot Assembly  
Propane  
5230-78**

Midco International has used a number of orifices to restrict the flow of fuel. To properly select the correct orifice contact the factory.

List of Main Gas Orifices

Part #	Dia (in inches)	Stamp #
5230-23	.290	B
5230-27	.422	F
5230-28	.500	G
5230-29	.563	H
5230-30	.688	I
5230-31	.358	J



**Midco**  
INTERNATIONAL

As an ISO 9001:2008 certified company, we proudly design, manufacture and assemble our products in Chicago, Illinois, USA.

Midco® International Inc. - 4140 West Victoria Street - Chicago, Illinois 60646

tel: 866.705.0514 - fax: 866.580.8700 - web: www.midcointernational.com - e-mail: sales@midcointernational.com



922  
8472.77  
Printed in USA