

## Replacement Kit # 8447-39R & 8447-44R for Ignition Transformer

**CAUTION:** Read and understand this service bulletin thoroughly before starting. Only a trained, experienced service technician should attempt this service procedure.

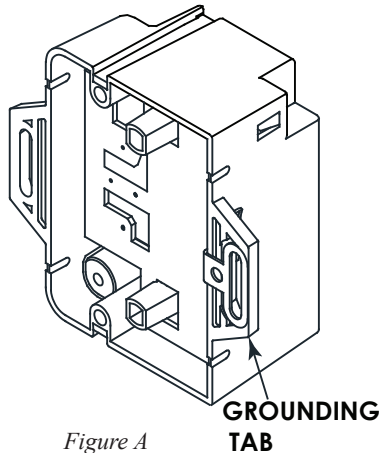


Figure A  
Ignition Transformer

**PLACE  
APPROPRIATE  
ADAPTER HERE**

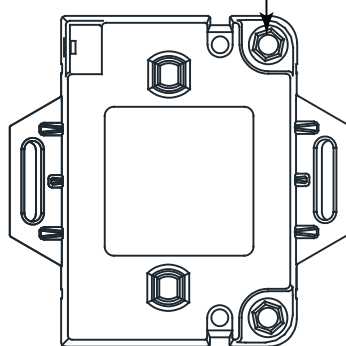


Figure B  
Ignition Transformer

### Kit 8447-39R includes

Part #	Description
8447-39	120V Allanson Ignition Transformer
2122-61	Thumbscrew Adapter
8447-43	Stud Adapter
8476-27	Service Bulletin
HW-8452-20	#8 Star Washer

OR

### Kit 8447-44R includes

Part #	Description
8447-44	230V Allanson Ignition Transformer
2122-61	Thumbscrew Adapter
8447-43	Stud Adapter
8476-27	Service Bulletin
HW-8452-20	#8 Star Washer

1. Disconnect spark wire from old ignition transformer. Remove ignition transformer from burner. Retain mounting screws.
2. Replace with Allanson ignition transformer (8447-39 or 8447-44 Figure A) with retained screws. If placing on a painted surface, ensure that star washer (HW-8452-20) is placed between the housing and the ignition transformer's grounding tab to ensure a proper ground.
3. Reconnecting spark wire:
  - a. If connecting a wire with a ring terminal, install 2122-61 (Figure C) adapter onto the ignition transformer stud. Take off the thumbscrew portion, connect the wire to the adapter, and replace the adapter's thumbscrew.
  - b. If connecting a wire with a boot terminal, install 8447-43 (Figure D) adapter onto the ignition transformer. Connect the wire directly to this adapter.

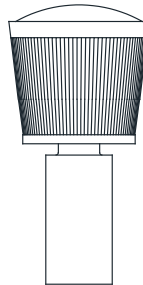


Figure C  
Ring Terminal Adaptor



Figure D  
Boot Terminal Adaptor

**AVOID ERROR IN PARTS SELECTION.** When ordering use complete MIDCO Part Number and Description. Furnish Burner Model Number, Bill of Material Number and Serial Number (if available) from the specification plate found on the product.

**IMPORTANT:** Availability of parts as well as specifications are subject to change without notice. Please consult factory for item availability.

**SAFETY INFORMATION TERMS:** The following terms are used to identify hazards, safety precaution of special notations and have standard meanings throughout this manual. They are printed in all capital letters using a bold type face as shown below, and preceded by the exclamation mark symbol. When you see the safety alert symbol and one of the safety information terms as shown below, be aware of the hazard potential.



**DANGER:** Identifies the most serious hazards which will result in severe personal injury or death.  
**WARNING:** Signifies a hazard that could result in personal injury or death.  
**CAUTION:** Identifies unsafe practices which would result in minor personal injury or product and property damage.



**Midco**<sup>®</sup>  
INTERNATIONAL

Midco<sup>®</sup> International Inc.  
4140 West Victoria Street  
Chicago, Illinois 60646  
toll free 866.705.0514  
tel 773.604.8700  
fax 866.580.8700  
web [www.midcointernational.com](http://www.midcointernational.com)  
e-mail [sales@midcointernational.com](mailto:sales@midcointernational.com)

As an ISO 9001 certified company, we proudly design, manufacture and assemble our products in Chicago, Illinois, USA.

Quality Designed for Proven Performance

822  
8476 27  
Printed in USA