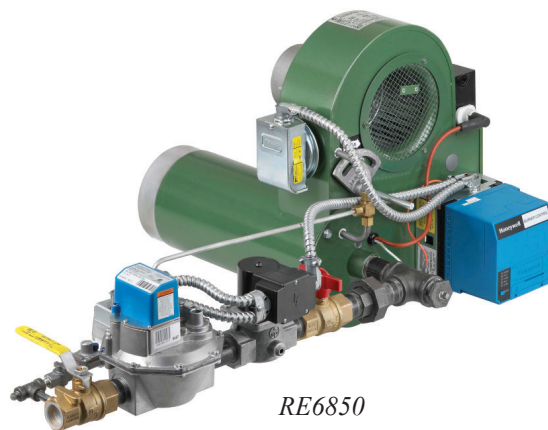


Replacement Parts List

Economite Model RE 6850



RE6850

*Installation and Service Manual - 8471-45
Date Code - 9-22-2004*



Midco®
INTERNATIONAL

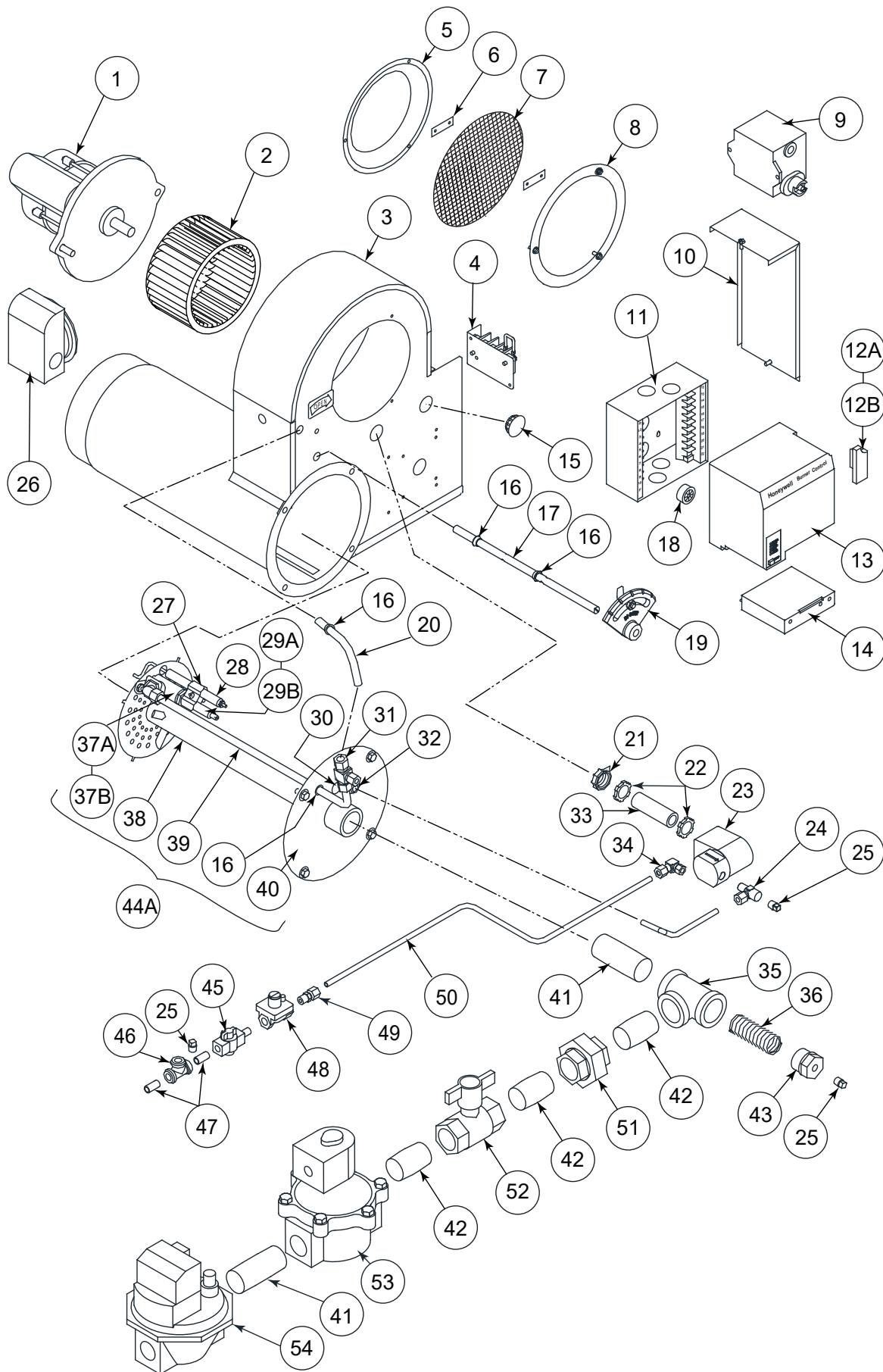
Midco® International Inc.
4140 West Victoria Street
Chicago, Illinois 60646
toll free 866.705.0514
tel 773.604.8700
fax 773.604.4070
web www.midcointernational.com
e-mail sales@midcointernational.com

AVOID ERROR IN PARTS SELECTION. When ordering use complete MIDCO Part Number and Description. Furnish Burner Model Number, Bill of Material Number and Serial Number (if available) from the specification plate found on the product.

IMPORTANT: Availability of parts as well as specifications are subject to change without notice. Please consult factory for item availability.



Exploded View - RE6850



RE 6850 Exploded View

Parts List

Item	Part #	Description	Qty	Item	Part #	Description	Qty
1	8437-60	1/7 Hp 115/60 3450rpm	1	36	8416-53	Reg. Spring 7/8" ID X 3 1/8" Long	1
2	8437-55	Blower Wheel C.C.W	1	37A*	5231-66	Tee Pilot Natural	1
3	5240-58	Blower Housing & Blast Tube Weldt	1	37B*	5230-78	Tee Pilot LP	1
4	5230-64	Terminal Strip Bracket Assembly	1	38	5240-54	Burner Head Weldment	1
5	5230-58	Air Entrance	1	39	5240-65	3/8" Pilot Air Tube	1
6	5240-78	RE6850 air Plate	2	40	5240-64	Back Plate Weldment	1
7	5230-59	Air Screen	1	41	8488-61	1" X 3" Nipple	2
8	5230-57	Front Ring	1	42	8488-52	1" X 2" Nipple	3
9	8447-22	Ignitor Spark Generator	1	43	8492-71	1" X 1/8" Hex Bushing	1
10	5240-62	Housing Door	1	44A	5240-70	Cartridge Assembly Natural	1
11	8429-16	Q7800B Sub-Base	1	45	8401-00	1/8" NPT Cock	1
12A	8429-22	ST7800A1039 30-Sec Timer	1	46	8494-00	1/8 Tee, Black Malleable	1
12B	8429-25	90 Sec Timer for HLO-Full Mod	1	47	8485-00	1/8" Close Nipple	2
13	8429-19	RM7895A Controller - no longer Available - call the factory	1	48	8400-00	1/8" Pilot Regulator	1
14	8429-27	R7847A Rect Amplifier	1	49	8483-14	1/8" X 1/4" Straight Connector	1
15	8451-79	Plug SS48165	1	50	1346-26	Pilot Tubing Alum	1
16	8450-19	3/8" Nylon Insert	4	51	8493-06	1" Union	1
17	6734-02	Air Shutter Shaft	1	52	8404-29	1" NPT T-Handle Ball Valve	1
18	8484-79	Universal Bushing	1	53	8418-03	1" Solenoid Gas Valve	1
19	3152-01	Quadrant	1	54	8419-24	1" 2-Way Comb DV Valve 120v	1
20	5240-76	3/8" Air Inlet Pilot Tubing	1				
21	8480-14	1/2" Conduit Bushing	1				
22	8480-16	1/2" Fitting Lock Nut	2				
23	8402-00	1/8" NPT Solenoid Valve - 120v	1				
24	8483-18	1/8M X 1/4T X 1/8F Comp	1				
25	8496-00	1/8" - Pipe Plug	3				
26	8425-19	Blower Air Switch	1				
27	5230-86	Flame Rod Bracket	2				
28	5230-84	Flame Rod Assembly	1				
29A	5231-99	Spark Rod NG	1				
29B	5230-80	Spark Rod LP	1				
30	8452-32	7/16" Window Plug	1				
31	8483-54	3/8" X 3/8" X 1/4" Tee Brass	1				
32	8457-47	Strain Relief Bushing	1				
33	8487-53	1/2" X 2.5" Long Nipple	1				
34	8483-00	1/8"M X 1/4"T Comp Elbow	1				
35	8494-43	1" NPT Tee	1				

* Includes Spark Rod Assembly

Not Shown

2020800	Flange
5240-89	Rope Gasket

Pilot Kit

3185-50	Pilot Bag Assembly Kit	
48	8400-00	1/8" Pilot Regulator 1
45	8401-00	1/8" NPT Cock 1
49	8483-14	1/8" X 1/4" Straight Connector 2
47	8485-00	1/8" Close Nipple 2
46	8494-00	1/8" Tee, Black Malleable 1
25	8496-00	1/8" - Pipe Plug 1

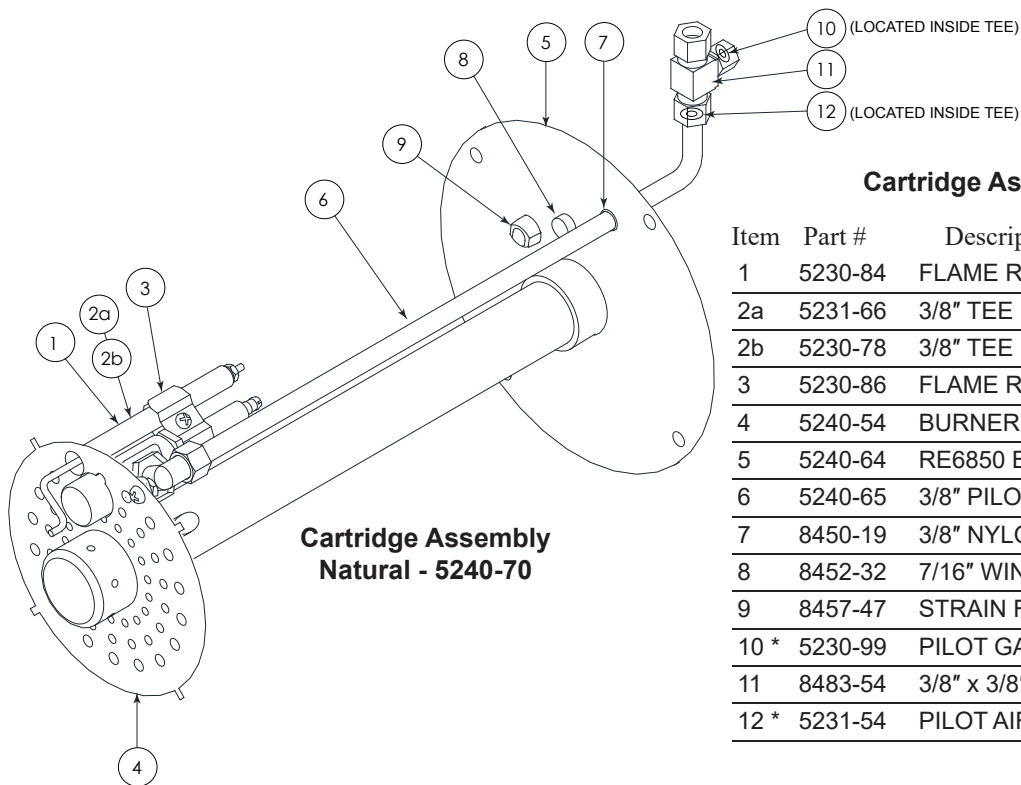
HLO / Full Mod Parts

5231-57	Transformer
8419-85	Belimo
5420-17	1" Valve and Rod

No Longer Available

8429-19	RM7895A Controller - no longer Available - call the factory
---------	---

Cartridge Assembly - RE 6850



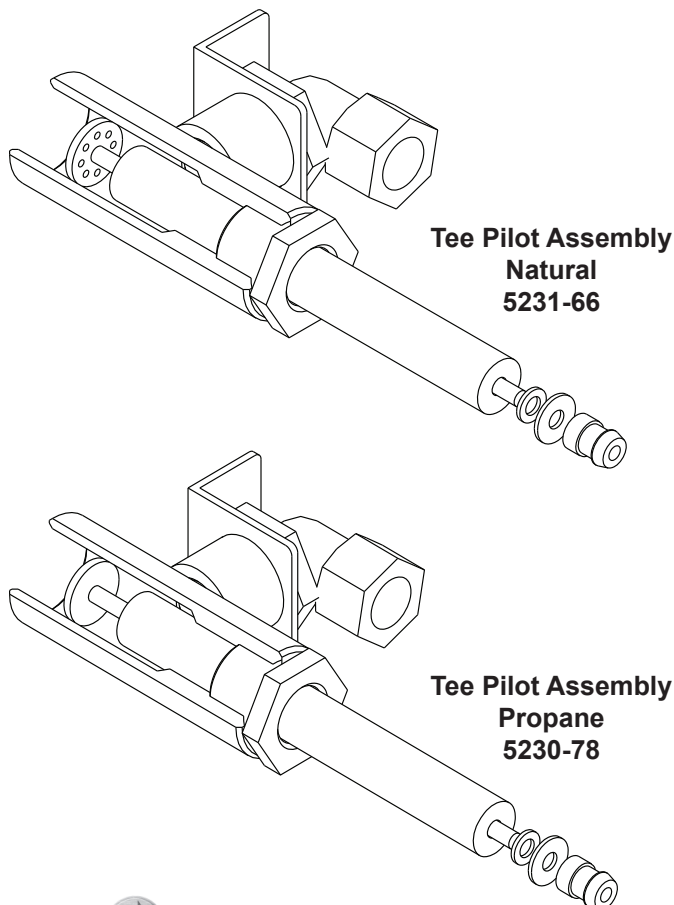
Cartridge Assembly for RE 6850

Item	Part #	Description	Qty
1	5230-84	FLAME ROD ASSEMBLY	1
2a	5231-66	3/8" TEE PILOT ASSEMBLY - NATURAL	1
2b	5230-78	3/8" TEE PILOT ASSEMBLY - PROPANE	1
3	5230-86	FLAME ROD BRACKET	2
4	5240-54	BURNER HEAD WELDMENT - RE6850	1
5	5240-64	RE6850 BACK PLATE WELDMENT	1
6	5240-65	3/8" PILOT AIR TUBE RE6850	1
7	8450-19	3/8" NYLON INSERT	1
8	8452-32	7/16" WINDOW PLUG	1
9	8457-47	STRAIN RELIEF BUSHING	1
10 *	5230-99	PILOT GAS ORIFICE (Inside)	1
11	8483-54	3/8" x 3/8" x 1/4" TEE BRASS	1
12 *	5231-54	PILOT AIR ORIFICE (Inside)	1

* Not Included with 5240-70 - Must Order Separately

Not shown

8504-50	SPARK WIRE ASSEMBLY	1
8505-94	FLAME ROD WIRE ASSEMBLY	1



Midco International has used a number of orifices to restrict the flow of fuel. To properly select the correct orifice contact the factory.

List of Main Gas Orifices

Part #	Dia (in inches)	Stamp #
5230-27	.422	F
5230-29	.563	H
5230-31	.358	J
5230-32	.332	K



Midco
INTERNATIONAL

Midco® International Inc. - 4140 West Victoria Street - Chicago, Illinois 60646 - toll free: 866 705 0514
tel: 773.604.8700 - fax: 773.604.4070 - web: www.midcointernational.com - e-mail: sales@midcointernational.com



225
8472 91
Printed in USA