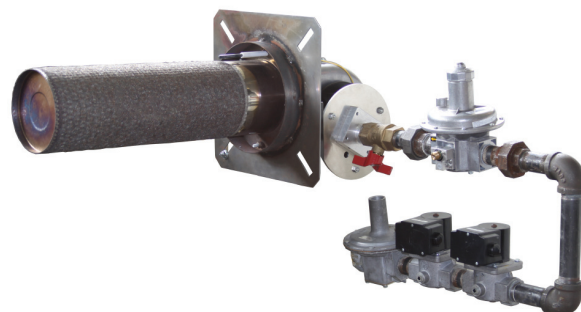


Replacement Parts

Low NO_x Burners - 24V Model LNB500 & LNB1000

without Combustion Chamber



Installation and Service Manual - 8471-91 / 8471-87

Date Code - 3811

First Manufactured October 23, 2011

The air and gas are premixed through a modulating premix gas blower. The air and gas is ignited using a simple direct spark ignition system not requiring an additional pilot burner. Once the air and gas are premixed it is distributed through a high efficient metal fiber burner head. Premixing the fuel and air before ignition assures complete combustion with minimal levels of CO and NO_x.



Midco®
INTERNATIONAL

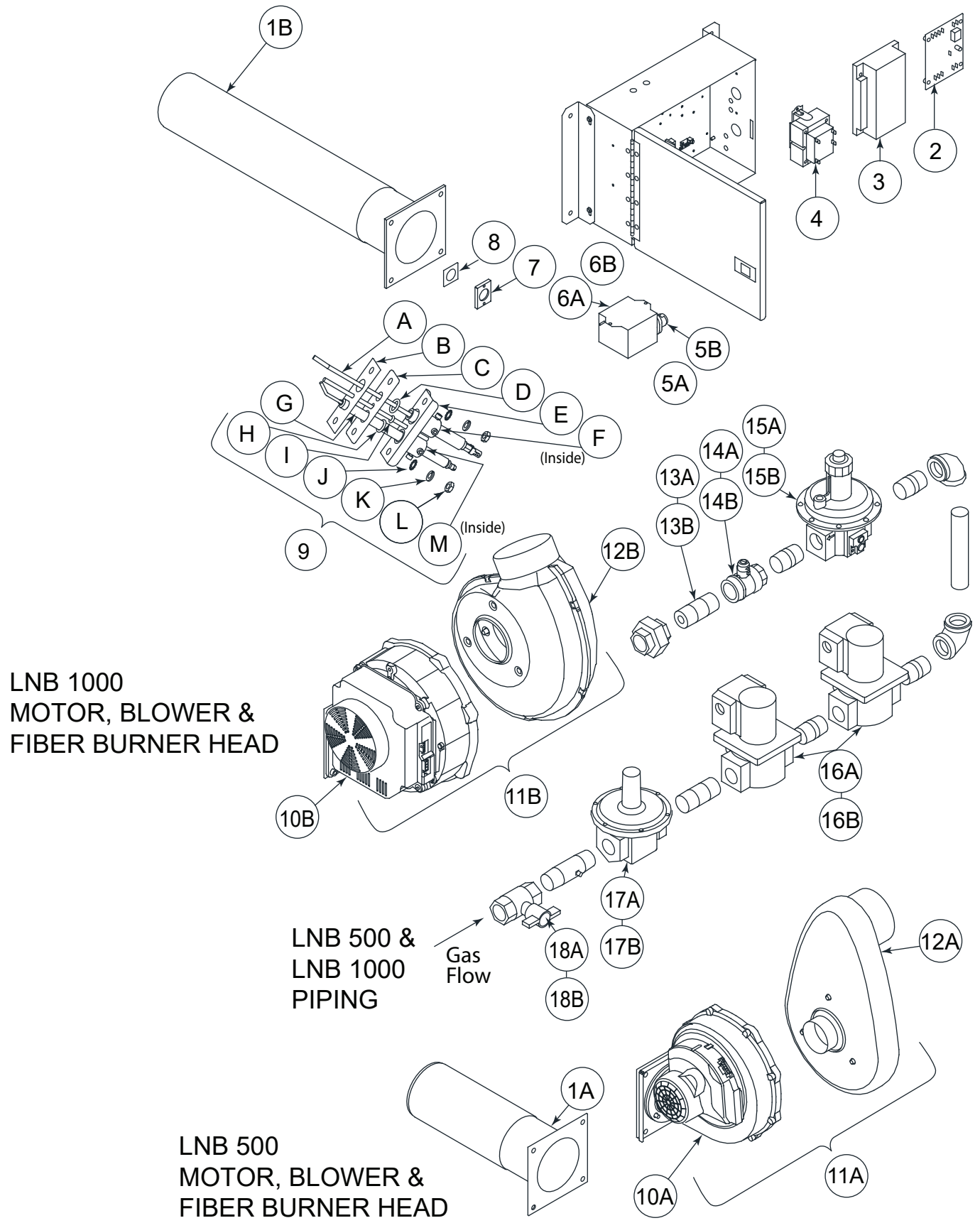
Midco® International Inc.
4140 West Victoria Street
Chicago, Illinois 60646
toll free 866.705.0514
tel 773.604.8700
fax 866.580.8700
web www.midcointernational.com
e-mail sales@midcointernational.com

AVOID ERROR IN PARTS SELECTION. When ordering use complete MIDCO Part Number and Description. Furnish Burner Model Number, Bill of Material Number and Serial Number (if available) from the specification plate found on the product.

IMPORTANT: Availability of parts as well as specifications are subject to change without notice. Please consult factory for item availability.



Exploded View - Low NOx Burner - LNB500 & LNB1000 without chamber




Low NOx - LNB500 & LNB1000 without chamber - Burner Parts List

Item	Part #	Description	Qty
1A	5246-79	LNB 500 - Fiber Burner Head - Weldment - 4" X 9"	1
1B	5246-29	LNB 1000 - Fiber Burner Head - Weldment - 4" X 19"	1
2	8429-02	RTC Board DC Signal to PWM	1
3	8429-64	LNB 500 / LNB 1000 - Ignition Control- 24V	1
4	8447-27	LNB 500 / LNB 1000 - 120V to 24V 75VA Transformer	1
5A	8408-94	10/32 Terminal Nut	1
5B	2122-61	Thumb Screw	1
6A	8447-22	Ignitor Spark Generator Honeywell	1
6B	8447-39	Ignitor Spark Generator Allanson	1
7	7122-90	Peep Sight Assembly	1
8	5246-27P	Peep Sight Graphite Gasket	1
9	5246-42R	Pilot Assembly Repair Kit (Complete)	1
A	5246-17	Flame Rod LNB Assembly	1
B	5246-48P	Ignitor Flange Gasket	1
C	5246-22	Ignition & Flame Assembly Plate	1
D	8432-21	O-Ring 1/2" X 11/16" X 3/32"	1
E	5246-45	Ignition Assembly Weldment Only	1
F	8451-06	Flame Rod Bushing	1
G	5246-43	Spark Rod Assembly LNB	1
H	8432-22	O-Ring 7/16" X 5/8" X 3/32"	1
I	8432-20	O-Ring 5/32" X 11/32" X 3/32"	1
J	Hardware	1/4" Star Lock Washer	2
K	Hardware	1/4" Split Lock Washer	2
L	Hardware	1/4-20 Hex Nut	2
M	8451-05	Spark Rod Bushing	1
10A	8435-30	LNB 500 - EBM Blower Only	1
10B	8435-23	LNB 1000 - EBM Blower Only	1
11A	5246-82R	LNB 500 Blower Assembly RG175/120	1
11B	5246-04R	LNB 1000 Blower Assembly - G170 120V	1
12A	8416-22	LNB 500 - Blower Inlet Kit	1
12B	8416-18	LNB 1000 - Blower Inlet Kit	1
13A	5246-85	LNB 500 - 3/4" x 3" Nipple with Orifice	1
13B	5246-64	LNB 1000 - 1" x 3" Nipple with Orifice	1
14A	8404-37	LNB 500 - 3/4" Quick Actuated Ball Valve	1
14B	8404-38	LNB 1000 - 1" Quick Actuated Ball Valve	1
15A	8416-21	LNB 500 - 3/4" NPT Ratio Regulator	1
15B	8416-04	LNB 1000 - 1" NPT Ratio Regulator	1
16A	8402-35	LNB 500 - 3/4" NPT Solenoid Valve 24V	2
16B	8402-36	LNB 1000 - 1" Solenoid Valve 24V	2
17A	8416-01	LNB 500 - 3/4" NPT Gas Regulator	1
17B	8416-33	LNB 1000 - 1" NPT Gas Regulator	1
18A	8404-30	LNB 500 - 3/4" T-Handle Ball Valve	1
18B	8404-29	LNB 1000 - 1" NPT T-Handle Ball Valve	1

Not Shown

2117-95	EBM Power Wire Harness	1
2117-96	EBM Control Wire Harness	1
5246-26P	LNB 1000 - EBM Blower Assembly Gasket	1
5246-32P	LNB 500 / LNB 1000 - 4" Fiber Burner Head Gasket	1
5246-41	Flame Rod Wire	1
5246-49	Spark Rod Wire	1
5246-76P	LNB 500 - EBM Blower Assembly Gasket	1
5246-77P	LNB 500 - EBM Blower Assembly Gasket	1
5248-71	LNB 1000 - Air Restrictor	1
	LNB 500 & LNB 1000 - Air Filter *see note below	1
8425-58	Thermal Switch	1

*  **Warning:** Replacement filter is supplied by the customer. Refer to manual for correct filter specifications to provide the recommended air flow for the burner.

