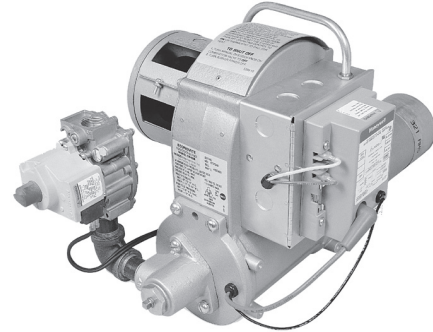


# Replacement Parts List

## Economite Model DS45



*Installation and Service Manual -  
Discontinued Installation and Service Manual 8470-17  
Current Installation and Service Manual 8470-22  
Date Code - 2387  
(Refer to historical data below)*

- First construction started June 1, 1987 (date code 2387).
- Features a Honeywell DSI Electronic Control Board.
- Supersedes Model DS44 which featured either Fenwal or Honeywell Control Boards. The Model Number DS45 was assigned to alleviate possible confusion in replacing Control Boards on Model DS44. Model DS45 is constructed identical to the Model DS44 with Honeywell Control Board.
- A limited run of burners (approximately 100) were made early in 1987. These burners were identical to current production except that the Installation Manual and PROPANE Conversion Kit featured Lo-Pressure conversion. Burners were built under Bills of Materials 4120200, 4120210 and 4120211. This Lo-Pressure PROPANE feature was discontinued in favor of the more conventional Hi- Pressure PROPANE conversion. For this limited production series, request the discontinued Installation and Service Manual listed above.

Items listed are available replacement parts for this current ECONOMITE model. Unlisted parts are not available.



Midco®  
INTERNATIONAL

Midco® International Inc.  
4140 West Victoria Street  
Chicago, Illinois 60646  
toll free 866.705.0514  
tel 773.604.8700  
fax 866.580.8700  
web [www.midcointernational.com](http://www.midcointernational.com)  
e-mail [sales@midcointernational.com](mailto:sales@midcointernational.com)

**AVOID ERROR IN PARTS SELECTION.** When ordering use complete MIDCO Part Number and Description. Furnish Burner Model Number, Bill of Material Number and Serial Number (if available) from the specification plate found on the product.

**IMPORTANT:** Availability of parts as well as specifications are subject to change without notice. Please consult factory for item availability.

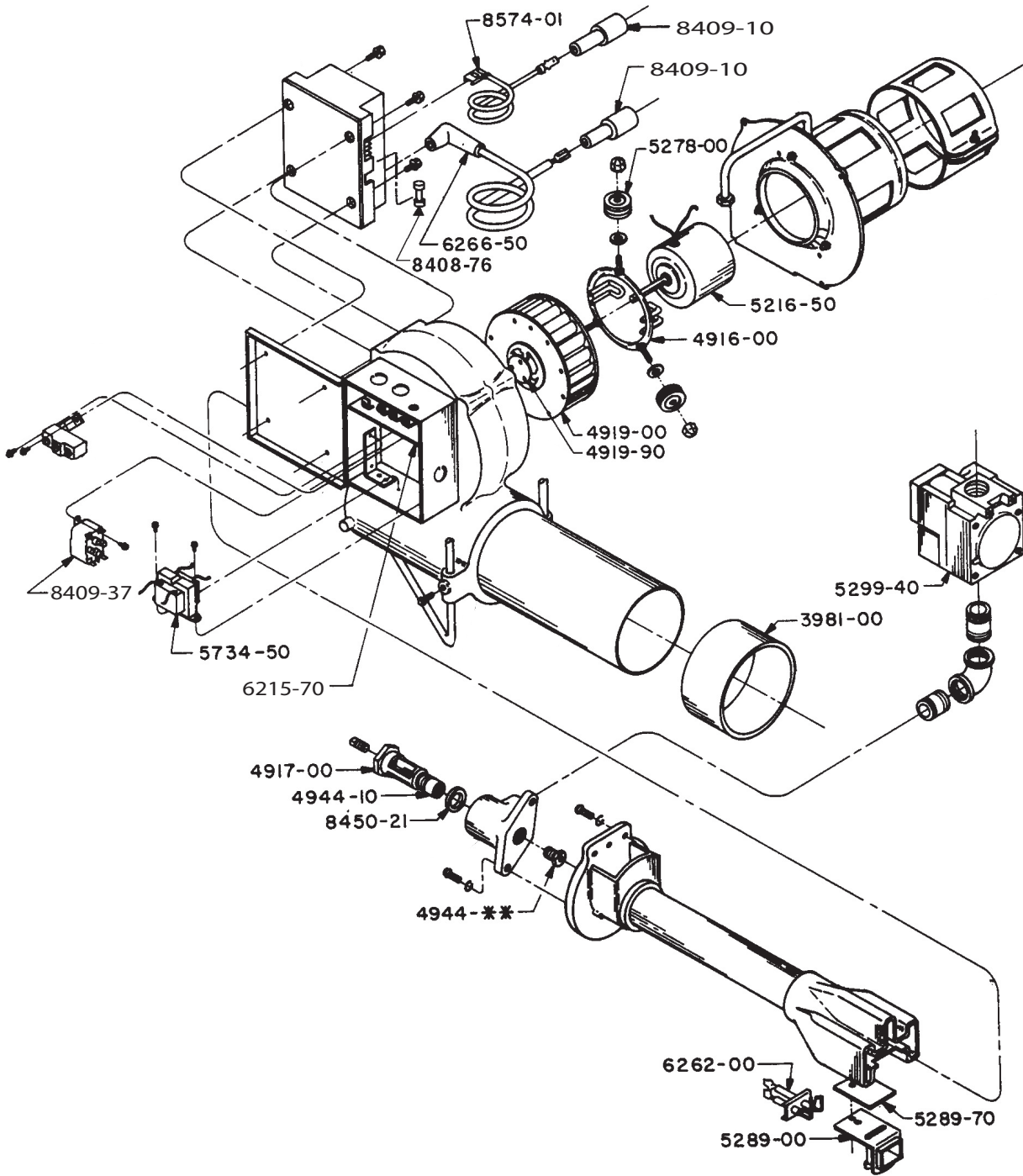


*As an ISO 9001:2008 certified company, we proudly design, manufacture and assemble our products in Chicago, Illinois, USA.*

*Quality Designed for Proven Performance*

425  
8472 08  
Printed in USA

# Exploded View DS45



\*\* Refer to listing for proper application

# Parts List - DS45

Part #	Description	Item	Part #	Description	Qty
3981-00	4" Dia. Stainless Nozzle Sleeve	5734-50		Transformer 115/1/50-60 Primary, 24V-30VA	
4916-00	Motor Mounting Ring less Rubber Mounts and Nuts			Secondary (Prod. Unlimited 4000-01M07J232,	
4917-00	Main Orifice Holder			4000-01M07K232; Basler BE121630GDD,	
4919-00	Blower Wheel complete with Centrifugal Actuator and Disc			BE121630GAA)	
4919-90	Centrifugal Actuator Disc	6206-50		Terminal Strip only	
4944-01	Main Spud 11/32 Drill (.343) minimum capacity - NATURAL	6262-00		Electrode Assembly (order Mounting Bracket and Gasket separately)	
4944-02	Main Spud - 25/64 Drill (.390) maximum capacity - NATURAL	6266-50		Hi-Voltage Cable (order Silicone Boot for Spark Electrode separately)	
4944-03	Main Spud #21 Drill (.159) minimum capacity - PROPANE - Drill for desired capacity per manual	8409-37		Motor Switching Relay - 24 volt	
4944-10	Main Spud Extension(s)	8408-76		3-Amp type 3AG Glass Fuse - 1/4" Dia. x 11/4"LG	
5216-50	Motor less Mounting Ring and Rubber Mounts 120/1/60 (Universal Electric JB2P048N#; Fasco 7163-7511)	8409-10		Silicone Boot - may be used on Flame Sensor or Spark Electrode - Orange	
5278-00	3 Rubber Mounts and Nuts	8419-49		PROPANE Regulator Head Kit for Honeywell VR8305 Valve Series (11.0" W.C.)	
5289-00	Electrode Mounting Bracket	8450-21		Orifice Holder Sealing Gasket	
5289-70	Electrode Mounting Bracket Gasket	8470-17* <sup>1</sup>		Installation and Service Manual (Discontinued - See page 1)	
5299-40 <sup>3</sup>	Combination Valve Replacement Kit	8470-22*		Installation and Service Manual	
		8574-01		Sensor Wire (order Silicone Boot for Flame Sensor separately)	
		2020100*		4" Dia. Mounting Flange	
		2020400*		4" Long Accessory Blast Tube Extension	
		2020500*		8" Long Accessory Blast Tube Extension	

\* NOT ILLUSTRATED

## NOTES

1. Refer to Historical Information on page 1.
2. **▲ WARNING: EXPLOSION HAZARD. CAN CAUSE SERIOUS INJURY OR DEATH. AN ELECTRONIC DEVICE CAN MALFUNCTION IF IT GETS WET. NEVER TRY TO USE A DEVICE THAT HAS BEEN WET - REPLACE IT.**
3. Honeywell discontinued production of VR8450 valves. This kit includes a combination gas valve, wire harness to retrofit existing burners.

# Parts List - DS 45

---



*As an ISO 9001:2008 certified company, we proudly design, manufacture and assemble our products in Chicago, Illinois, USA.*

Midco® International Inc. - 4140 West Victoria Street - Chicago, Illinois 60646 - toll free: 866 705 0514  
tel: 773.604.8700 - fax: 866.580.8700 - web: [www.midcointernational.com](http://www.midcointernational.com) - e-mail: [sales@midcointernational.com](mailto:sales@midcointernational.com)

