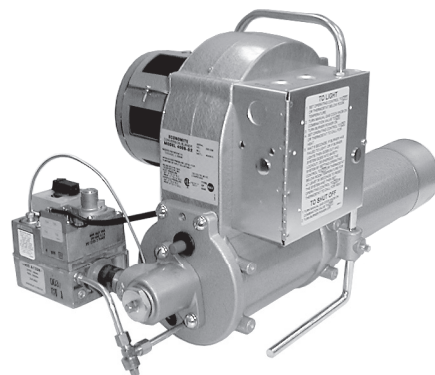


# Replacement Parts List

## Model Economite 400B-02 & 400B-02P



*Installation and Service Manual - 8470-75  
Date Code - 2194*

- First Construction Date: May 1, 1994
- Supersedes Model 400A-02.



**Midco®**  
INTERNATIONAL

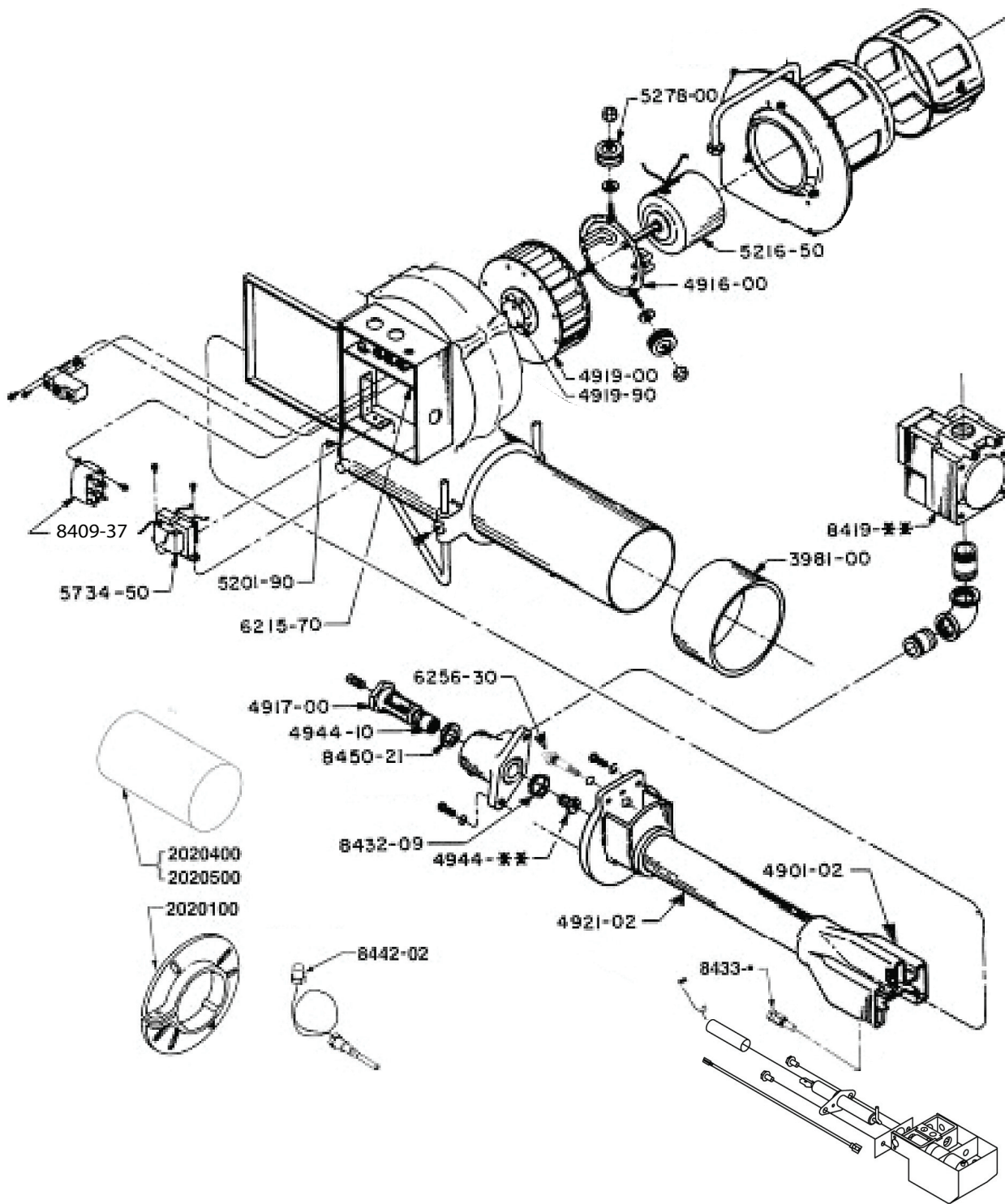
Midco® International Inc.  
4140 West Victoria Street  
Chicago, Illinois 60646  
toll free 866.705.0514  
tel 773.604.8700  
fax 866.580.8700  
web [www.midcointernational.com](http://www.midcointernational.com)  
e-mail [sales@midcointernational.com](mailto:sales@midcointernational.com)

**AVOID ERROR IN PARTS SELECTION.** When ordering use complete MIDCO Part Number and Description. Furnish Burner Model Number, Bill of Material Number and Serial Number (if available) from the specification plate found on the product.

**IMPORTANT:** Availability of parts as well as specifications are subject to change without notice. Please consult factory for item availability.



# 400B-02 & 400B-02P Exploded View



# 400B-02 & 400B-02P Parts List

Item	Part #	Description	Item	Part #	Description
3981-00		4" Dia. Stainless Nozzle Sleeve	5734-50	<sup>1</sup>	Transformer 115/1/50-60 Primary, 24V-30VA
4916-00		Motor Mounting Ring less Rubber Mounts and Nuts			Secondary (Prod. Unlimited 4000-01M07J232, 4000-01M07K232; Basler BE121630GDD, BE121630GAA)
4917-00		Main Orifice Holder	6215-70		Terminal Strip only
4919-00		Blower Wheel complete with Centrifugal Actuator and Disc	6252-50		Spark Rod Insulator Sleeve
4919-90		Centrifugal Actuator Disc	6252-90		Spark Electrode
4944-01		Main Spud 11/32 Drill (.343) minimum capacity-NATURAL	6256-30		Piezo Ignitor Kit
4944-02		Main Spud-25/64 Drill (.390) maximum capacity-NATURAL	6274-50		Spark Electrode Gasket
4944-03		Main Spud #21 Drill (.159) minimum capacity-PROPANE-Drill for desired capacity per manual	8409-37		Motor Switching Relay-24 volt
4944-10		Main Spud Extension	8419-49	<sup>1</sup>	LP Regulator Kit #393691. Must be used with VR8300A4003.
5201-90		400-Series Rubber Seal Strip	8432-09		O-Ring Seal
5216-50		Motor less Mounting Ring and Rubber Mounts 120/1/60 (Universal Electric JB2P048N#; Fasco 7163-7511)	8432-10		1" O.D. O-Ring Gasket for Piezo Ignitor
5278-00		3 Rubber Mounts and Nuts	8433-08		Pilot Orifice 4212-012 LP Gas
5295-00		Pilot Burner Weldment-order Pilot Orifice separately	8450-21		Orifice Holder Sealing Gasket
			2020100		4" Dia. Mounting Flange
			2020400		4" Long Accessory Blast Tube Extension
			2020500		8" Long Accessory Blast Tube Extension

## Not Shown

5292-00*	DS45B/400B-02 LP Gas Valve Wire
8470-75*	Installation and Service Manual

## NOTES

<sup>1</sup>  **WARNING: EXPLOSION HAZARD. CAN CAUSE SERIOUS INJURY OR DEATH. AN ELECTRONIC DEVICE CAN MALFUNCTION IF IT GETS WET. NEVER TRY TO USE A DEVICE THAT HAS BEEN WET-REPLACE IT.**

# Economite 400B-02 & 400B-02P

---

