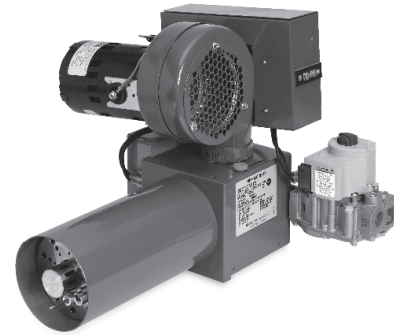


Replacement Parts List

Economite Model RS40 Available Parts for RS40

The RS40 Series Gas burner has been discontinued as of August 2013. Call the manufacturer for current availability of parts.



Installation and Service Manual - 8471-09
Date Code - October 1998

The Economite RS40 model is Obsolete



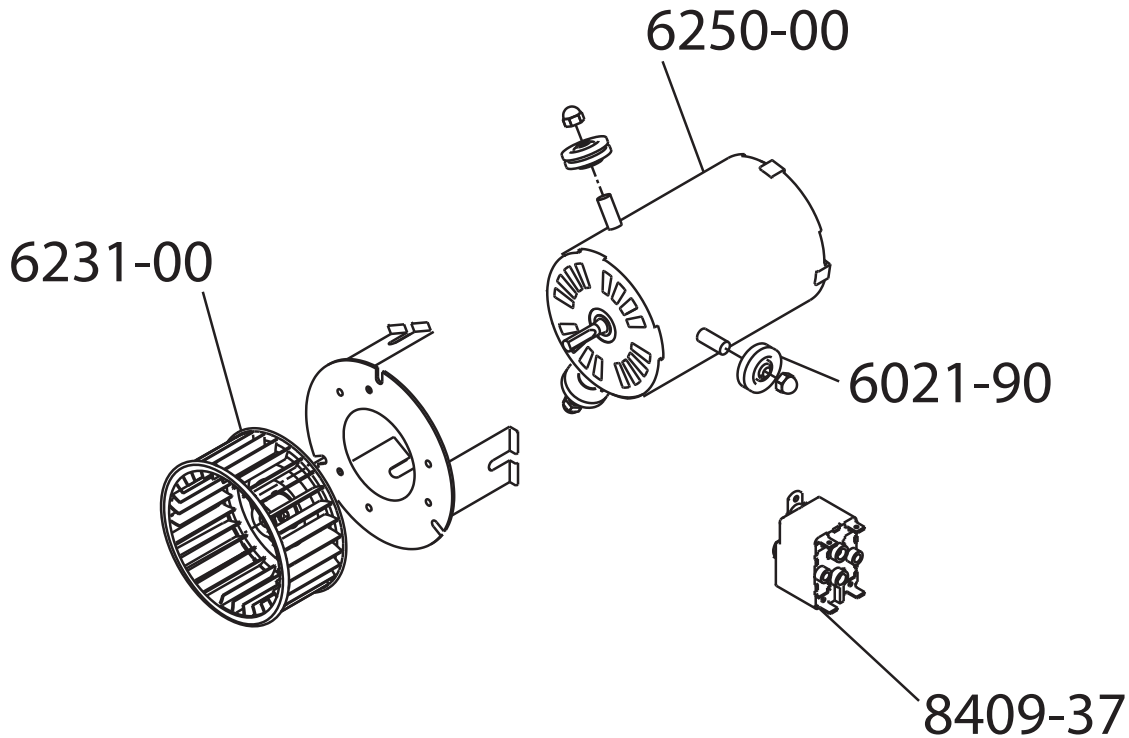
Midco[®]
INTERNATIONAL

Midco[®] International Inc.
4140 West Victoria Street
Chicago, Illinois 60646
toll free 866.705.0514
tel 773.604.8700
fax 866.580.8700
web www.midcointernational.com
e-mail sales@midcointernational.com

AVOID ERROR IN PARTS SELECTION. When ordering use complete MIDCO Part Number and Description. Furnish Burner Model Number, Bill of Material Number and Serial Number (if available) from the specification plate found on the product.

IMPORTANT: Availability of parts as well as specifications are subject to change without notice. Please consult factory for item availability.

Economite RS40 Available Parts



Available parts for the RS40

Part #	Description	Qty
6021-90	3 RUBBER MOTOR MOUNT	3
6231-00	BLO WHL	1
6250-00	SH-P MTR / SW / TOP / B-BRNGS	1
8409-37	SP RLY 24V - 25A	1

NOTES

1. **⚠ WARNING:** Explosion hazard. Can cause serious injury or death. This device can malfunction if it gets wet. Never try to use a device that has been wet -- replace it.

2. **NOTE:** Parts shown with part numbers are available. All other parts are NO LONGER AVAILABLE.

Note: S87D is no longer available