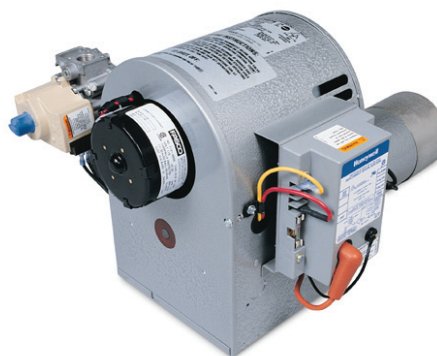


Replacement Parts List

Economite Model DS24A

Available Parts for DS24A



*DS24A burners are no longer available as of
May 2016*

*Installation and Service Manual - 8470-71
First Construction Date: Coded 293*

First construction March 15, 1993 (date code 1193). Features a 30VA Transformer to accommodate higher valve current draw on newer Honeywell Combination Valves, Terminal Strip with 4-terminals plus earth ground terminal and modified wiring. Currently DS24A Motor Shelf assembly is interchangeable with Models E20B and E20BP.

Supersedes Model DS24 featuring a 20VA Transformer and Terminal Strip with 5-terminals plus earth ground terminal.

IMPORTANT: Availability of parts as well as specifications are subject to change without notice. Please consult factory for item availability.



Midco®
INTERNATIONAL

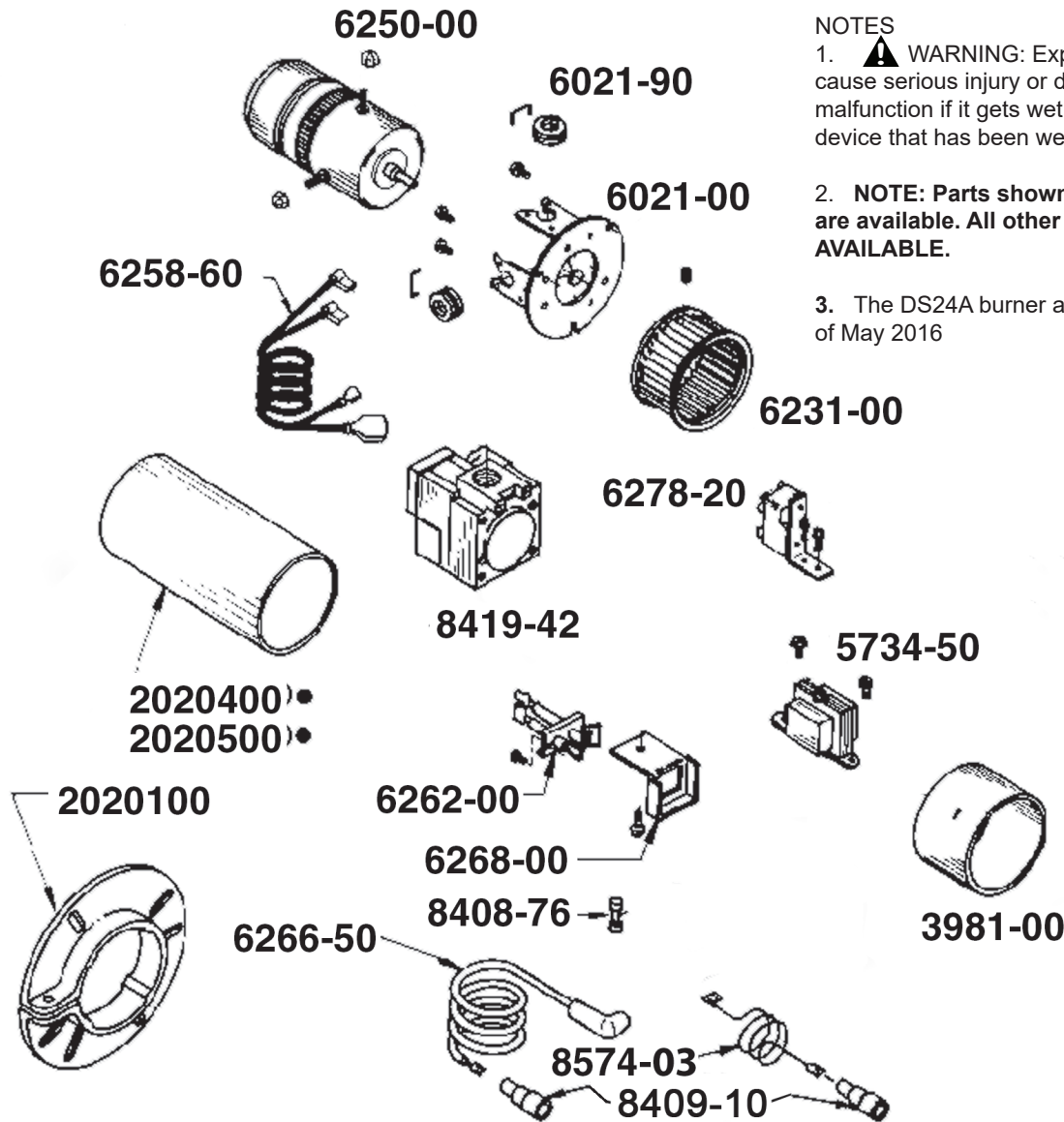
Midco® International Inc.
4140 West Victoria Street
Chicago, Illinois 60646
toll free 866.705.0514
tel 773.604.8700
fax 866.580.8700
web www.midcointernational.com
e-mail sales@midcointernational.com

AVOID ERROR IN PARTS SELECTION. When ordering use complete MIDCO Part Number and Description. Furnish Burner Model Number, Bill of Material Number and Serial Number (if available) from the specification plate found on the product.

IMPORTANT: Availability of parts as well as specifications are subject to change without notice. Please consult factory for item availability.



Available Parts for - Economite - DS24A



NOTES

- WARNING:** Explosion hazard. Can cause serious injury or death. This device can malfunction if it gets wet. Never try to use a device that has been wet -- replace it.
- NOTE:** Parts shown with part numbers are available. All other parts are **NO LONGER AVAILABLE**.
- The DS24A burner are no longer available as of May 2016

Part #	Description
3981-00	4" Dia. Stainless Nozzle Sleeve
5734-50	Transformer 115/1/50-60 Primary, 24V-30VA Secondary; (Prod. Unlimited 4000-01M04J232)
6021-00	Motor Mounting Bracket
6021-90	3 Rubber Motor Mounts and Clips
6231-00	Blower Wheel
6250-00	Motor with built in centrifugal switch - 120 volt (Fasco 7121-6655)
6258-60	Valve Wire Assembly
6262-00	Electrode Assembly (order Mounting Bracket separately)
6266-50	High voltage Cable - Order Silicone Boot separately
6268-00	Electrode Mounting Bracket

Part #	Description
6278-20	Motor Switching Relay - 24 volt (Prod. Unlimited 9400-01Q2232)
8408-76	3-Amp Type 3AG Glass Fuse 1/4" Dia. x 1 1/4" LG
8409-10	Silicone Boot - may be used on Spark Electrode or Sense Electrode
8419-42	1/2" 3-Function Redundant Main Valve with Regulator (M-H VR8305M2102)
8574-03	Sense Wire (order Silicone Boot for Sense Electrode separately)
2020100	4" Dia. Mounting Flange
2020400	4" Long Accessory Blast Tube Extension
2020500	8" Long Accessory Blast Tube Extension
	Not Shown
8429-03R	Electronic Control (MH S87D no longer available)

